

Installation and User's Guide

FL 2000 K / FL 2001 K




GB

English



Table of Contents

Important Notes	2
Installation.....	3
Installation inside the cabin unit.....	3
Installation on the wall / in the ceiling.....	3
Installation on the cabin wall	4
Start-up	5
Replacing lamps and starters.....	5
Performance data	5
Effect of Colors	7
Service Address:.....	8
Guarantee	8

Important Notes

 Improperly installed hardware can present a fire hazard! Please read this installation guide thoroughly. It is especially important to consider applicable dimensions and observe the following instructions:

- The colored light unit is designed for a supply voltage of N 230 V AC via colored light control unit.
- Only an expert may install and connect the colored light unit, control unit and other electrical equipment. In this respect it is especially important to meet the required safety precautions by VDE 0100 v. § 49 DA/6 and VDE 0100 Part 703/2006-2 § 4.
- The control unit EMOTEC C55, ECON F1 or 60FL is must be used to control the colored light unit. Affix this control unit in an appropriate location to the outside wall of the cabin.

-  **WARNING!** Never mount the unit directly over the oven in the cabin ceiling or on the cabin wall.
- The unit is equipped with a safety glass panel. Never operate the unit with a broken safety glass panel.
- Only a locally certified electrician may hard-wire the sauna system (sauna oven, control unit, lighting, etc) to the power supply. All connecting lines laid on the inside of the sauna cabin must be able to withstand a surrounding temperature of at least 140°C. Silicone lines are recommended for practical purposes.
-  **WARNING:** Do not cover rear side of unit with insulating material (rock wool, etc.) so as not to create an accumulation of heat.

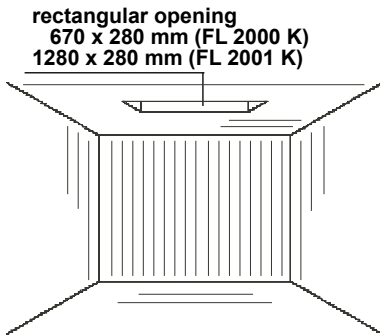
Installation

Installation inside the cabin unit

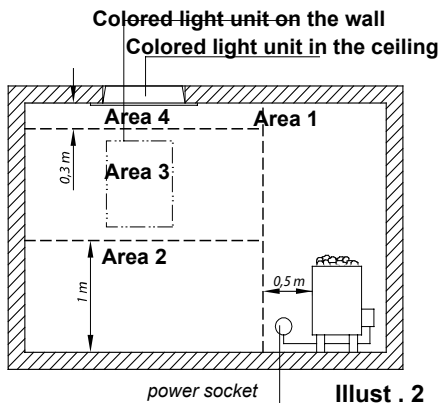
To facilitate this, it is necessary to cut a rectangular opening of 670 x 280 mm into the ceiling of the cabin for the small colored light unit (FL 2000 K) as in Illust. 1. For the larger colored light unit (FL 2001 K) you will need an opening of 1280 x 280 mm.

The installation inside the cabin unit must not be carried out in the area 1 of the cabin (illustr. 2)!

In case of installation beneath the ceiling, the colored light unit only has to be installed in the areas 2 and 3 (illustr. 2).



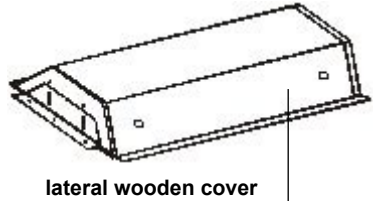
Illust. 1



Illust. 2

Installation on the wall / in the ceiling

Attention: For installation of the colored light unit in the wooden profiles of the cabin, please remove the lateral wooden covers.



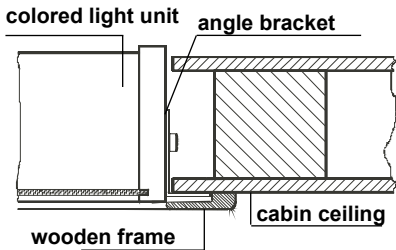
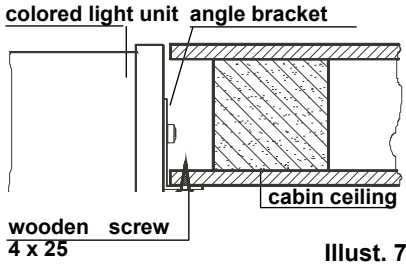
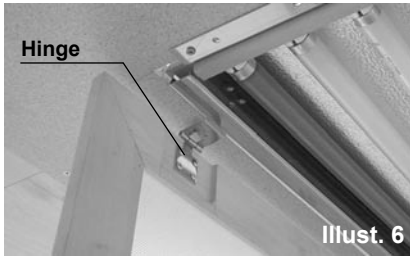
Illust. 3

Release the quick release fastener screws (illustr. 4) and open the stillage.

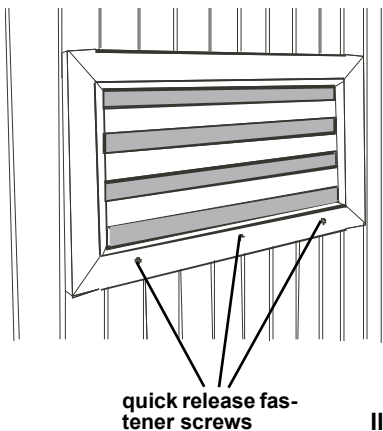


Insert the unit bottom-up into the rectangular opening and fix the unit at the lateral angle brackets with each two wooden screws 4 x 25 (illustr. 5 to 8).



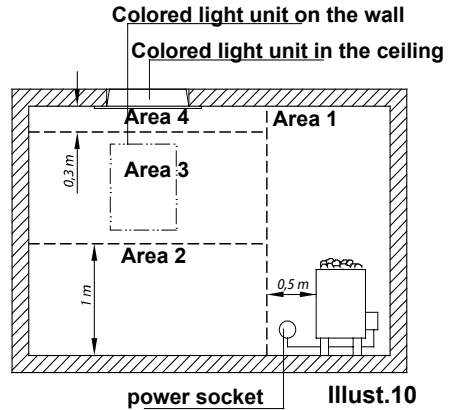


Shut the stillage afterwards and tighten the quick release fastener screws (illust9).

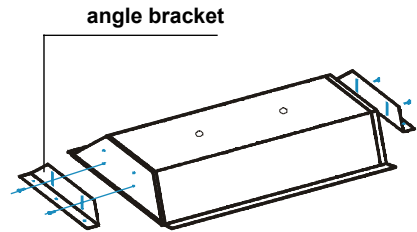


Installation on the cabin wall

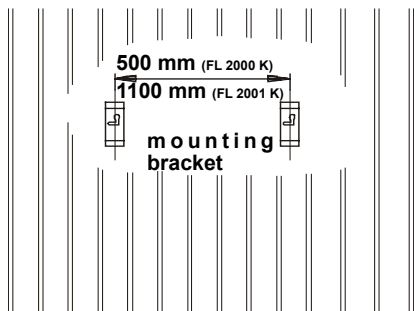
You may only install the unit on the cabin wall in areas 2 and 3 inside the cabin (Illust. 10).



To accomplish this, remove the angle brackets on each side (Illust. 11), since they are not needed for installation on the cabin wall.

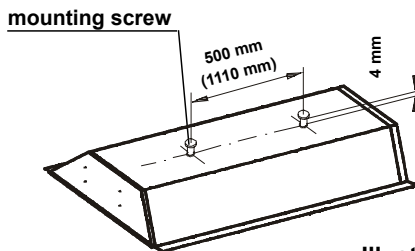


Mount the two included mounting brackets on the wall, leaving a horizontal distance of 500 mm (for type FL 2000 K) or 1110 mm (for type FL 2001 K) respectively between them (Illust. 12)



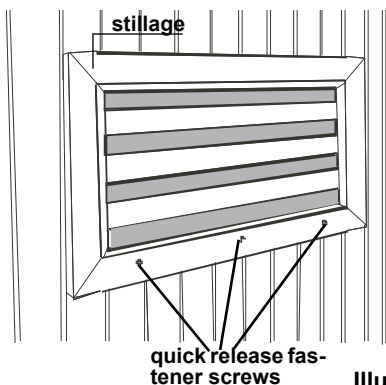
Illust. 12

Unscrew the mounting screws on the rear side of the unit somewhat, so as to create a 4 mm gap between housing and the screw head (Illust. 13).



Illust. 13

Now insert the unit with the mounting screws into the holes in the mounting brackets and snap it into place by pushing it sideways. Fasten the unit with the two wooden strips (Illust. 14).



Illust. 14

Start-up

Start operation of the colored light unit with the control unit, type EMOTEC C55, ECON F1 or 60FL. To accomplish this, refer to the manual of the control unit.

Replacing lamps and starters

WARNING! Use only original manufacturer's replacement parts.

Release the quick release fastener screws and open the stillage.

Now you can change the lamps and/or the starters. The lamps and starters can be removed by unscrewing them from their sockets.

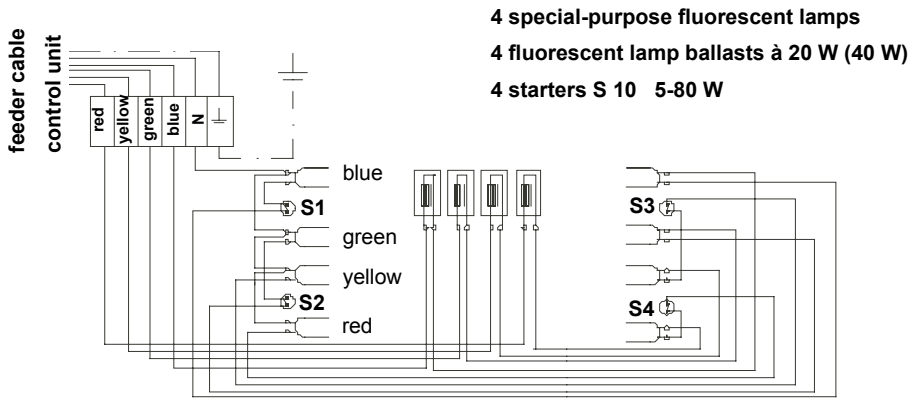
Now insert the new lamps or starters into the sockets and turn them about 90 degrees.

Shut the stillage afterwards and tighten the quick release fastener screws

Performance data

FL 2000 K
 4 special-purpose fluorescent lights,
 18 W each
 voltage: 230 V AC N 50 Hz
 power consumption: 80 W

FL 2001 K
 4 special-purpose fluorescent lights,
 36 W each
 voltage: 230 V AC N 50 Hz
 power consumption: 160 W



Connect the control unit according to the wiring diagram below.

color coding:

- | | |
|--------------|----------|
| green/yellow | = PE |
| 1 | = N |
| 2 | = red |
| 3 | = yellow |
| 4 | = green |
| 5 | = blue |

Effect of Colors

The **psychological** influence of the colors is perceived by the eyes. From there the color radiation is transferred to the brain in a complex process, where it develops its effect in the form of certain impressions and energy.

The colors affect the **nervous system** vitalizing the body's resistance. Certain body systems are activated depending on the type of color.

Physical absorption takes place primarily over the skin through direct radiation of the colors.

Chemical absorption takes place in the gas-to-intestinal tract in the form of a mixed diet in all colors.

BLUE, the color of the sky and water, is connected with longing, vastness and coolness. Coolness retards human functions, the reason why blue is calming and relaxing and can help alleviate nervous disorders, insomnia, restlessness and fear.

GREEN is the color of nature. Green light soothes and inspires simultaneously. It provides relaxation and regeneration. Green light is reputed to have a positive effect on the bronchi and lungs and to be helpful for nervous disorders, headache and inflammation of the joints.

YELLOW is said to intensify a positive vital attitude and increase general well-being. Yellow colors can stimulate and fortify the nerves and dispel gloom and melancholy, gastro-intestinal disorders can be compensated.

RED is associated with fire and blood. The color for activity, vitality and warmth. Red is reputed to stimulate circulation and therefore contribute to a general increase in well-being and vitality

Please keep this address in a safe place together with the installation guide.

To help us answer your questions quickly and competently, please provide data printed on the ID plate, to include system type, article no. and serial no., in all inquiries.

Service Address:

EOS-WERKE GÜNTHER GmbH
Adolf-Weiß-Straße 43
35759 Driedorf-Mademühlen, Germany
Fon: +49 (0)2775 82-0
Fax: +49 (0)2775 82-431
servicecenter@eos-werke.de
www.eos-werke.de

Guarantee

The guarantee is taken over according to the legal regulations at present.

Manufacturer's warranty

- The period of warranty starts from the date of purchase and lasts up to 2 years for commercial use and 3 years for private use.
- Always include the completed warranty certificate when returning equipment.
- The warranty expires for appliances which have been modified without manufacturer's explicit agreement.
- Damages caused by incorrect operation or handling through non-authorized persons are not covered under the terms of warranty.
- In the event of a claim, please indicate the serial number as well as the article code number and type name with expressive description of the fault.
- This warranty covers damaged parts but no defects due to wear and tear.

In case of complaint please return the equipment in its original packaging or other suitable packaging (caution: danger of transport damage) to our service department.

Always include the completed warranty certificate when returning equipment.

Possible shipping costs arising from the transport to and from point of repair cannot be borne by us.

Outside of Germany please contact your specialist dealer in case of warranty claims. Direct warranty processing with our service department is in this case not possible.

Equipment start-up date:

Stamp and signature of the authorized electrician: