

*emotion of sauna.*



# Assembly instructions and instructions for use

## IRS 4



GB

MADE IN GERMANY



Druck Nr. 29342354en/ 31.07

# English

## Table of Contents

<b>Important notice .....</b>	<b>3</b>
<b>Technical data .....</b>	<b>5</b>
<b>Assembly .....</b>	<b>6</b>
<b>Assembly example:.....</b>	<b>6</b>
<b>Assembly on the booth wall .....</b>	<b>6</b>
<b>vertical assembly in the booth corners .....</b>	<b>6</b>
<b>Minimum distances .....</b>	<b>6</b>
<b>Service Address: .....</b>	<b>7</b>
<b>Guarantee .....</b>	<b>7</b>

## English


Dear Customer,

You have purchased a high quality technical system.

**This detailed installation and user's guide was created for your information. Please note especially the important information and the data dealing with the electrical connection.**

## Important notice

**There is a fire risk if assembled incorrectly. Please read these assembly instructions carefully. Take special note of the measurement details and the following notes.**

- This device has not been designed for being used by persons (including children) that are physically or mentally handicapped or have sensory disabilities. Moreover, it is not allowed to use this device without sufficient experience and/or knowledge, unless these persons will be supervised by persons responsible for their security or in case they have been instructed how to use this device.
- Children are to be supervised in order to make sure that they do not play with this device.
- The infrared thermal emitter is intended for a connection voltage of 230 V 50 Hz via an infrared controller.
- Assembly and connection to the infrared controller must be carried out in accordance with the connection diagram (Fig. 11).
- Before the emitter is operated via the controller, check that all connectors are firmly connected with no risk of coming loose.
- The EU 60335-2-53 (VDE 0700 Part 53) regulations are to be complied with inside the infrared booth
- Only the number of emitters specified for the size of the booth should be assembled in the infrared thermal booth. Please ask your cabin manufacturer or dealer.
- One of the controllers specified below should be used to regulate or control the infrared emitter. This controller should be fixed to the infrared thermal booth in accordance with the assembly instructions.
-  **Attention: Covering the infrared thermal emitter causes a fire risk!**

- The assembly of the infrared emitter in the booth must be carried out in such a way to assure even all-round emission for the sauna frequenter.
- The infrared thermal emitter is not suitable to assembly on the booth ceiling.
- If the infrared thermal emitter is assembled in the rear area, then appropriate protective measures must be taken to ensure that the flocked protection grille cannot be pressed in unintentionally (e.g. a wooden grille mounted in front).
- Take care to ensure that the main energy discharge occurs through the infrared radiation.

Additionally, however, a thermal heat discharge arises at the housing in the vertical assembly. This heat can stress the emitter thermally! Caution: fire risk!

Ensure that this hot convection air can escape by rising freely.

If necessary, appropriate steps should be taken (e.g. thermal protection slabs) to ensure that the wood is not exposed to inadmissible temperatures.

- The infrared thermal emitter is equipped with a silicon connection cable with a 3-pin connector. This connector is joined to the connector of the infrared controller with a free outlet.

Care must be taken to ensure that the earth is properly tight.

- Up to 5 infrared thermal emitters may be connected to this socket distribution.

For practical reasons, the connector should be fitted to the booth ceiling.

- Take care to ensure that the special Vitae emitter is not subject to any mechanical stresses (knocks, pressure). Risk of breakage.



Although breakage is unlikely if it is used properly, if the ceramic

The IR-emitter is designed for mounting in a IR-warm cabin or sauna only. It just can be used with a controller. The warranty is not to apply for other use.



**Attention!**  
If there is any skin disease or illness, you should ask a doctor before using.

## Technical data

Voltage: 230 V 50 Hz

Power input: 400 W

Height: 530 mm

Width: 184 mm

Depth: 65 mm

Weight: approx. 2 kg

front sight      cutout of the wall

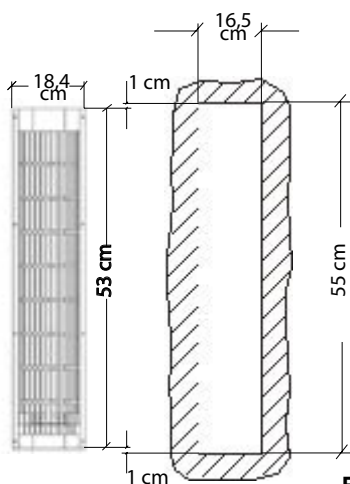


Fig. 1

## Electrical connection

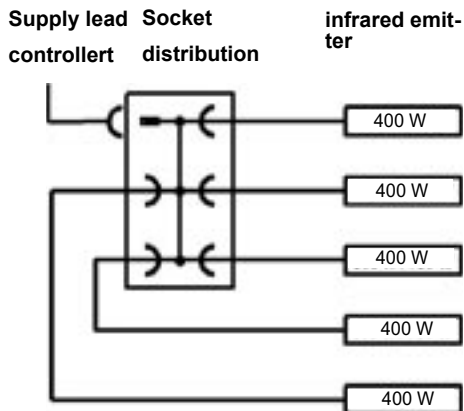


Fig. 3

An additional clamping distribution with order no. 94 2046 must be used for fitting 6-9 infrared emitters.

For assembly, the connection cables should be fed through blank tubes or protected from damage in other appropriate ways.

### Caution:

If the connection cable of this appliance becomes damaged, it must be replaced by a special connection cable which can be obtained from the manufacturer or customer service department.

## Assembly

The emitter should be assembled in such a way as to ensure that the body of the frequenter radiates over as large an area as possible.

Assembly in the four corners of the infrared booth is recommended.

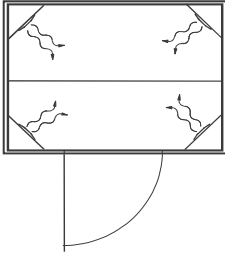


Fig. 4

Recommended radiation distance between a person and the infrared emitter: 30-50

### Assembly example:

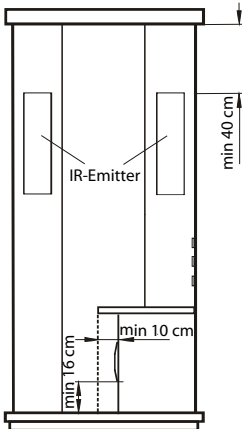


Fig. 5

For assembly, a right-angled opening must be fitted vertically into the wood.

This opening is filled out horizontally for the net emitter.

The emitter can then be assembled with the enclosed chipboard screws (see Fig. 6 and 7).

## Assembly on the booth wall

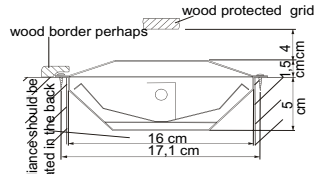


Fig. 6

## vertical assembly in the booth corners

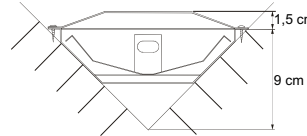


Fig. 7

## Minimum distances

he minimum distance from the emitter upper edge to the booth ceiling must be 40 cm.

The minimum distance from the emitter lower edge to the wooden floor of the booth must be 16 cm (Fig.5).

The horizontal minimum distance between the emitter and all combustible parts must be 4 cm (Fig.6).



### Caution!

For assembly of the net emitter, the measurements specified in Fig. 5 must be complied with.



### Very important!

In the case of vertical assembly (connection always upwards or in accordance with the booth manufacturer's specifications), the area above the emitter should not be encased with wood in front (Fig. 1). Hot air rising when the housing is heating must be able to escape freely. Fire risk!



In the case of horizontal assembly in the area of the nets (net emitter), the emitter may not be covered by objects such as towels, and must be made safe if necessary by fitting an additional wooden grille. Fire risk!

Please keep this address in a safe place together with the installation guide.

To help us answer your questions quickly and competently, please provide data printed on the ID plate, to include system type, article no. and serial no., in all inquiries.

### **Service Address:**

EOS-WERKE GÜNTHER GmbH  
Adolf-Weiß-Straße 43  
35759 Driedorf-Mademühlen, Germany  
Fon: +49 (0)2775 82-0  
Fax: +49 (0)2775 82-431  
servicecenter@eos-werke.de  
www.eos-werke.de

## **Guarantee**

The guarantee is taken over according to the legal regulations at present.

### **Manufacturer's warranty**

- The period of warranty starts from the date of purchase and lasts up to 2 years for commercial use and 3 years for private use.
- Always include the completed warranty certificate when returning equipment.
- The warranty expires for appliances which have been modified without manufacturer's explicit agreement.
- Damages caused by incorrect operation or handling through non-authorized persons are not covered under the terms of warranty.
- In the event of a claim, please indicate the serial number as well as the article code number and type name with expressive description of the fault.
- This warranty covers damaged parts but no defects due to wear and tear.

In case of complaint please return the equipment in its original packaging or other suitable packaging (caution: danger of transport damage) to our service department.

Always include the completed warranty certificate when returning equipment.

Possible shipping costs arising from the transport to and from point of repair cannot be borne by us.

Outside of Germany please contact your specialist dealer in case of warranty claims. Direct warranty processing with our service department is in this case not possible.

Equipment start-up date:

Stamp and signature of the authorized electrician: