

*emotion of sauna.*



# Assembly and Operating Instructions

## 60FL



GB

Made in Germany



Druck Nr. 29342887en/ - 22.08

# English

## Table of Contents

|  |    |
|--|----|
| Technical specifications .....   | 3  |
| Delivery Scope .....   | 3  |
| General Notices .....  | 4  |
| General Safety Regulations .....   | 4  |
| Installation of Control Unit.....  | 5  |
| Wall Mount .....   | 5  |
| Electrical installation.....   | 6  |
| Operation .....  | 6  |
| Start-up .....   | 7  |
| Switching on the unit for the first time .....                                   | 7  |
| Default Parameters .....   | 7  |
| Manual Selection of Light Color .....  | 7  |
| Automatic Selection of Light Color.....  | 7  |
| Effect of Colors .....   | 8  |
| Connection Schematic.....  | 9  |
| Service Address: .....   | 10 |
| Guarantee .....  | 10 |
| Handling procedures for return shipments (RMA) - Details for all returns ! ..... | 11 |

## Technical specifications

|   |   |
|---|---|
| Supply voltage:                           | 230 V 1N AC 50 Hz   |
| Fuse protection:                          | 1 x 10 A  |
| Lamp capacity:                            | 400 W max.  |
| Surrounding temperature:                  | 0 to 40° C  |
| Color sequence when in<br>Automatic mode: | red - red/yellow - yellow - yellow/green - green - green/<br>blue - blue - blue/red |
| Color overlap period:                     | 0 seconds   |
| Cycle time:                               | adjustable from 1 to 10 minutes   |
| Dimensions (H x W x D):                   | 145 x 185 x 50 mm   |
| Weight:                                   | ca. 1 kg  |

## Delivery Scope

(changes reserved)

The control device consists of:

- Plastic bag with three attachment screws

Dear Customer,

with this coloured light control device, you have purchased a high-quality electronic device, which was designed and produced according to the latest standard and quality guidelines.

With this high-quality coloured light controller, you „operate“ your coloured light device and with the programming options, you will surely quickly find the settings you feel most comfortable with.

Read these instructions carefully so that you will find your way through programming fast and easily.

## General Notices

The coloured light control device is intended for 230 V 50 Hz voltage and has to be secured separately with a 10 A fuse.


Only an authorized electrician may install and connect the sauna equipment as well as other electric devices.

The regulations of the Electrician's Association (VDE 0100 / Part 703 / 2006-2) must be observed.

As a rule, sauna equipment may only be connected via a permanent mains connection. This must enable you to separate all poles of the device from the mains with a contact opening width of at least 3 mm.

Read the following installation and operating instructions carefully to ensure the error-free operation of your sauna system.

## General Safety Regulations

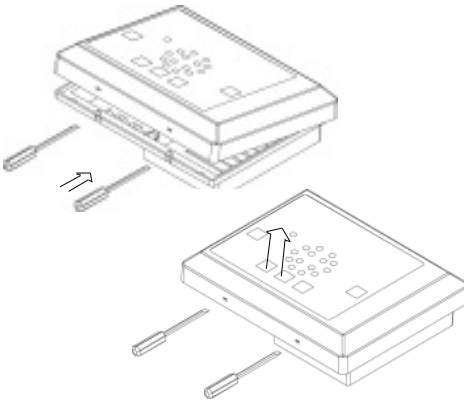
- Only an authorized electrician may install the electronics.
- The regulations of your power supply company as well as the pertinent regulations of the Electrician's Association (DIN VDE 0100) must be observed.
-  Careful mortal danger! Never perform repairs and installations yourself. Only an expert may remove the casing cover.
- The device may only be operated in accordance with its intended purpose, meaning as a control device for coloured light devices.
- All poles of the device must be separated from the mains prior to all installation and repair work, meaning you have to turn off the fuses and/or main switch.
- Observe the safety and installation notices of the manufacturer.

## Installation of Control Unit

**⚠ The control-unit may not be mounted within the IR cab.**

### Wall Mount

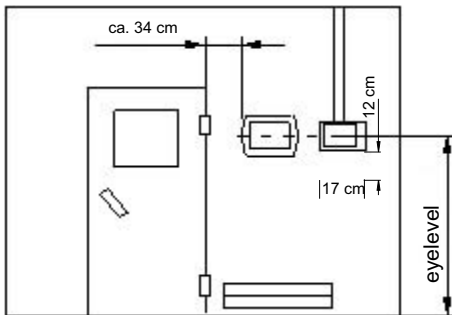
It is only permissible to install the control unit outside the booth. If empty conduit is already present for the electrical installation, the conduit determines the position of the control unit. To install proceed as described in the instructions below:



**Fig. 1**

Remove the cover from the control unit. For this purpose press the retaining lugs inward with a flat screwdriver and pull the upper section of the housing up by pivoting.

Saw a cut-out in the wall with a width of 17



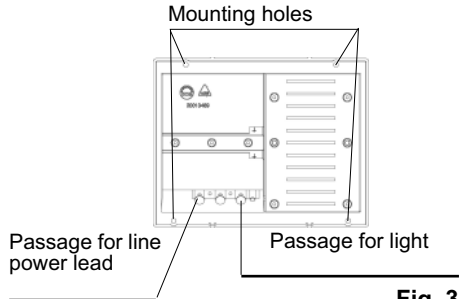
**Fig. 2**

cm and height of 12 cm at the position the control is to be installed.

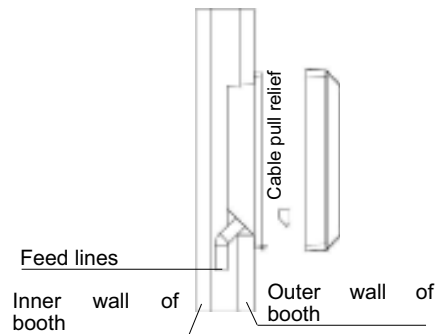
Then route the connection lines for the line power and the light to this wall cut-out.

If the sauna booth is not equipped with empty conduit for the connection lines, route the cables visibly on the walls of the booth.

In this case cut an additional opening for introducing the lines into the unit at the lower, left corner of the rectangular opening.



**Fig. 3**



**Fig. 4**

Then route the lines into the unit and secure them from being pulled out with the pull relief bridges.

Then position the unit in the wall cut-out and fasten it with four bolts through the mounting holes.

## Electrical installation

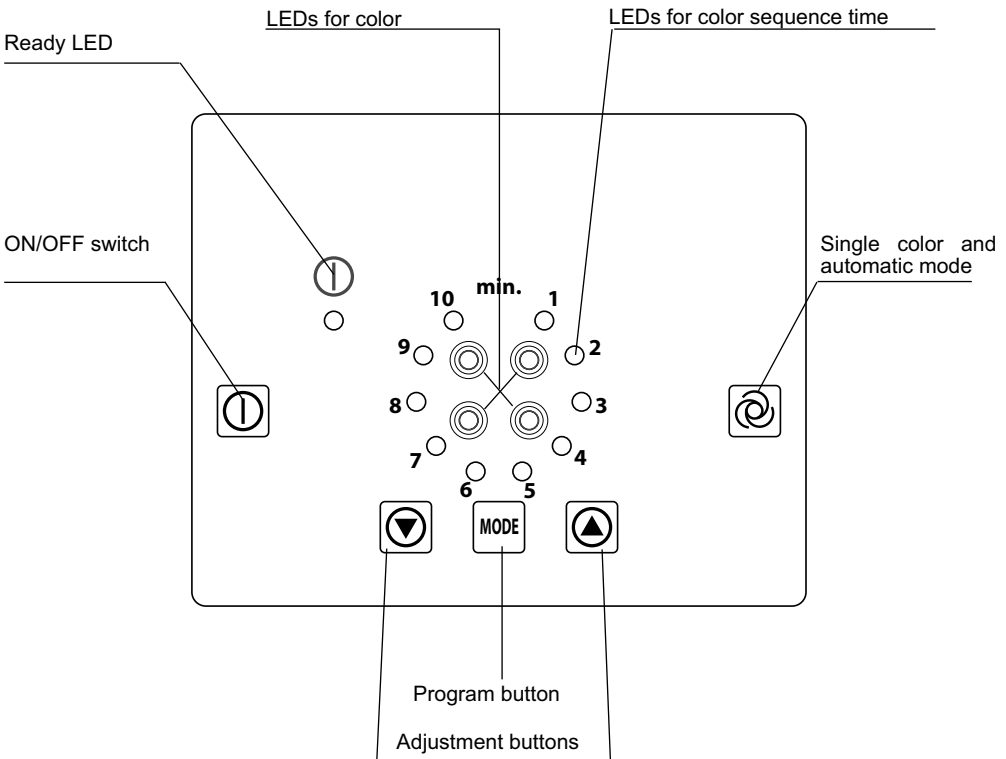
The electrical installation may be undertaken only by an authorized electrician subject to the regulations of the local power utility company and the VDE.

Connect the lines as illustrated in the connection diagram.



**CAUTION: The colored lights are connected by relay contacts and are not fuse-protected internally. Install a 3 x 1,5 mm<sup>2</sup> hardwire connection with a fuse protection of 10 A.**

## Operation



## Start-up

After checking all connections again, connect the unit to the line power by switching on the circuit breakers and/or main switch. The green LED under the **I**-symbol signals that the unit is ready for operation.

## Switching on the unit for the first time

Pressing the Start/Stop button **I**, for the first time after connecting the power supply switches the unit to its ready mode. The red LED on the colored light unit and the red LED on the control unit illuminate.

## Default Parameters

- Manual colored light selection
- Operating time for individual colors in automatic mode: 5 min.
- Operating time for mixed colors in automatic mode: 10 sec.

## Manual Selection of Light Color

It is possible to select between individual colors and mixed colors with the ▼ and ▲ buttons.

## Automatic Selection of Light Color

Press the **☒** light button to activate automatic selection of the light color.

During automatic operation 5 LED's illuminate for an operating time of 5 minutes.

When the light color selection is switched to automatic the color sequence is red-red/yellow-yellow-yellow/green-green-green/blue-blue-blue/red. In the basic mode the individual colors are held for 5 minutes and the mixed colors for 10 seconds (see „Default Parameters“)

The holding time can be set within the range of 1 min. and 10 min. The row of LED's starts to flash when the „**MODE**“ -button is pressed.

The time can be changed with the ▼ and ▲ buttons.

Pressing the „**MODE**“ -button again confirms the value set and the corresponding number of LED's illuminates in the row of LED's (5 minutes = 5 LED's, 10 minutes = 10 LED's, etc.)

The holding time for mixed colors can be set to 10 seconds (default setting) or to the operating time for the individual colors:

Press the ▼ - and ▲ -buttons simultaneously and hold for 2 seconds until the row of LED's flashes momentarily. Reset by pressing again.

The parameters set last remain set as long as the control is not separated from the line power.

## Effect of Colors

The **psychological** influence of the colors is perceived by the eyes. From there the color radiation is transferred to the brain in a complex process, where it develops its effect in the form of certain impressions and energy.

The colors affect the **nervous system** vitalizing the body's resistance. Certain body systems are activated depending on the type of color.

**Physical** absorption takes place primarily over the skin through direct radiation of the colors.

**Chemical** absorption takes place in the gastro-intestinal tract in the form of a mixed diet in all colors.

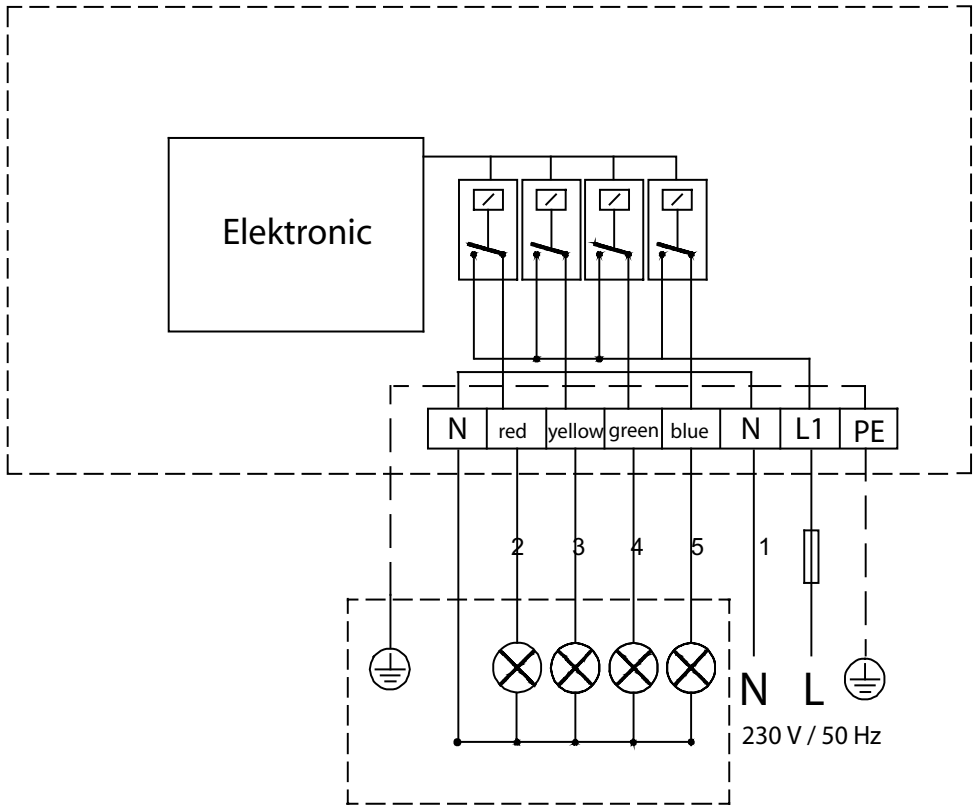
**BLUE**, the color of the sky and water, is connected with longing, vastness and coolness. Coolness retards human functions, the reason why blue is calming and relaxing and can help alleviate nervous disorders, insomnia, restlessness and fear.

**GREEN** is the color of nature. Green light soothes and inspires simultaneously. It provides relaxation and regeneration. Green light is reputed to have a positive effect on the bronchi and lungs and to be helpful for nervous disorders, headache and inflammation of the joints.

**YELLOW** is said to intensify a positive vital attitude and increase general well-being. Yellow colors can stimulate and fortify the nerves and dispel gloom and melancholy, gastro-intestinal disorders can be compensated.

**RED** is associated with fire and blood. The color for activity, vitality and warmth. Red is reputed to stimulate circulation and therefore contribute to a general increase in well-being and vitality

## Connection Schematic



Observe coding of feed lines to colored light unit

### Attention!

Dear customer,

according to the valid regulations, the electrical connection of the sauna heater and the control box has to be carried out through the specialist of an authorized electric shop.

We would like to mention to the fact that in case of a warranty claim, you are kindly requested to present a copy of the invoice of the executive electric shop.

Please keep this address in a safe place together with the installation guide.

To help us answer your questions quickly and competently, please provide data printed on the ID plate, to include system type, article no. and serial no., in all inquiries.

### **Service Address:**

EOS-WERKE GÜNTHER GmbH  
Adolf-Weiß-Straße 43  
35759 Driedorf-Mademühlen, Germany  
Fon: +49 (0)2775 82-0  
Fax: +49 (0)2775 82-431  
servicecenter@eos-werke.de  
www.eos-werke.de

### **Guarantee**

The guarantee is taken over according to the legal regulations at present.

#### Manufacturer's warranty

- The period of warranty starts from the date of purchase and lasts up to 2 years for commercial use and 3 years for private use.
- Always include the completed warranty certificate when returning equipment.
- The warranty expires for appliances which have been modified without manufacturer's explicit agreement.
- Damages caused by incorrect operation or handling through non-authorized persons are not covered under the terms of warranty.
- In the event of a claim, please indicate the serial number as well as the article code number and type name with expressive description of the fault.
- This warranty covers damaged parts but no defects due to wear and tear.

In case of complaint please return the equipment in its original packaging or other suitable packaging (caution: danger of transport damage) to our service department.

Always include the completed warranty certificate when returning equipment.

Possible shipping costs arising from the transport to and from point of repair cannot be borne by us.

Outside of Germany please contact your specialist dealer in case of warranty claims. Direct warranty processing with our service department is in this case not possible.

Equipment start-up date:

Stamp and signature of the authorized electrician:

## **Handling procedures for return shipments (RMA) - Details for all returns !**

Dear customer

we hope that you will rejoice in the ordered articles. Just in case that you are not entirely contented as an exception, please follow the procedures specified below. This enabling us to ensure a quick and smooth handling of the return shipment.

### **Please absolutely respect for all returns!**

- Please add the available **RMA-voucher** always **completely filled out** together with an **invoice copy** to the return shipment! Do not stick it on the goods or on the packaging. **We do not accept the return shipment without these papers.**
- Not prepaid parcels **will be refused** and returned to Sender! Please always ask for the **RMA-No.** for the cheapest return.
- **Please pay attention that** the goods have to be sent back **without visible marks of use** in the **original scope of delivery and in original packing.**
- We recommend to use an **additional solid and break-proof covering box** which should be padded out with styrofoam, paper or similar. Transport damages as a result of faulty packing are for the sender's account.

### **Form of complaint:**

#### **1) Transport damage**

- Please check the content of your parcel immediately and advise the forwarding company of a claim (parcel service/ freight forwarder)
- Do not use damaged goods!
- Ask the forwarder **for a written acknowledgement of the damages.**
- **Report the claim promptly by phone to your dealer.** He will discuss with you how to act in this case.
- If the transport box has been damaged, please use an additional covering box. Do not forget to add the **acknowledgement of the damage of the forwarding company !**

#### **2) Faulty goods**

- The implied warranty period is 2 years. Please contact your dealer in case of **faulty or wrong articles or missing accessories.** He will discuss with you the individual case and try for immediate and customer-friendly solution.
- For **economic returns** within Germany you will get an **RMA-number from the manufacturer.**
- All returns have to be in the **original packing of the goods with corresponding accessories.** Please repack the goods to avoid damages. In case of wrong delivery, please do not use this article !

#### **3) Problems of installation and functioning**

- Please **read the manual carefully first of all** and pay attention to the indicated assembly or installing instructions.
- **Your dealer should be the first contact person** because he knows his products best and also knows possible problems.
- **In case of function problems with an article,** please check at first whether there is an obvious material defect. The quality system in our factory reduces malfunctions of new appliances to almost zero.