

Installation and User's Guide

Manual

FL 400 / FL 400S FL 800 / FL 800S / FL 800 UV



FL 400



FL 400 S



FL 800



FL 800S



FL 800 UV



Made in Germany



English

Table of Contents

Important Notes	3
Installation.....	3
First use	5
Plug-in models:	5
Operation:	5
Non-detachable models:	5
Operating the UV lights on the FL 800 UV.....	5
Tanning instructions (FL 800 UV).....	6
Switching on the UV tubes (FL 800 UV)	7
Circuit diagram for non-detachable coloured light units	7
Changing bulbs and starters	8
Performance data:	8
Effect of Colors	9
Service Address:.....	10
Guarantee	10
Handling procedures for return shipments (RMA) - Details for all returns !	11

Important Notes

Improperly installed hardware can cause a fire hazard! Please read this installation guide thoroughly. It is especially important to consider applicable dimensions and observe the following instructions:

- The coloured light units are designed for a supply voltage of N 230 V AC and, except for the plug-in unit FL 400 S / FL 800S, switched on via the coloured light control unit EMOTEC C55, Econ F1 or 60 FL.
- The non-detachable coloured light units should be operated with control unit. The control unit is affixed to the sauna's exterior wall in an appropriate place.
- The unit is equipped with a safety glass panel (type FL 800 UV with acrylic panel). Never operate the unit with a broken safety glass panel.
- Coloured light units, control units and other electrical equipment that are designed to be non-detachable, should only be installed and connected to the mains by a locally approved electrical installation company. In this regard, the necessary safety measures in accordance with VDE 0100 v. § 49 DA/6 and VDE 0100 Part 703/2006-2 § 4 should be observed in particular. All power cables that are installed inside the sauna room must be suitable for an ambient temperature of at least 140°C. Silicone cables suit the re-

Installation

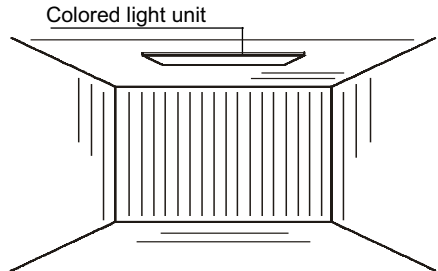
The devices must be used in IR-cabines only!

The coloured light unit can be assembled on the wall or ceiling in the sauna room.

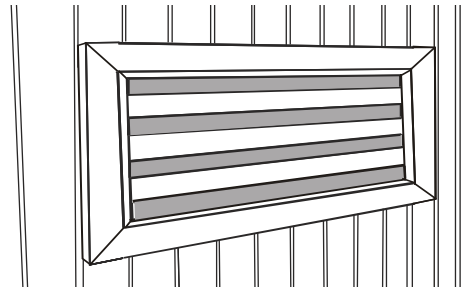


Except for FL 800 UV - this unit may only be assembled on the wall.

Installation on the cabin ceiling



Installation on the cabin wall

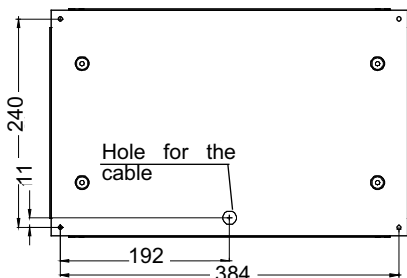


For assembly, first of all the wooden frame has to be removed. To do this, the 4 screws with plastic heads on the sides of the frame must be loosened.

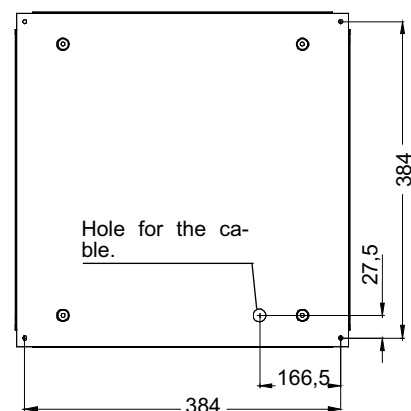


Next mark the fixing points on the sauna's ceiling and where the lighting unit's cable will be introduced. The lighting unit is fastened on the corners using 4 screws.

Drilling distances for assembling types FL 400 / FL 400S



Drilling distances for assembling type FL 800 / FL 800S / FL 800 UV



Drill a hole to introduce the cable into the sauna unit:

- on types FL 400S / FL 800S: \varnothing 40 mm
- on types FL 400 / FL 800 / FL 800UV: \varnothing 22 mm

Attention: Do not cut any frame or supporting woods of the ceiling or wall. In this case the static stability of your cabin is no longer guaranteed.

The coloured light unit can now be fastened to the sauna unit using the 4 screws on each corner.



To complete the installation, the housing frame is fastened back on.



First use

Plug-in models:

Type FL 400S / FL 800S is ready to plug in. After connecting the supply cable to the plug, this appliance is ready for use.

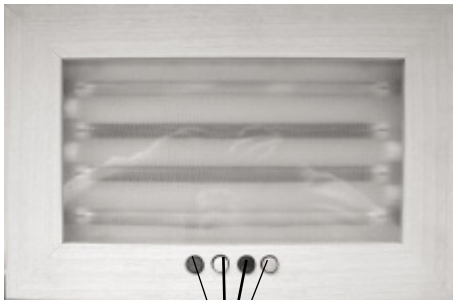
Operation:

Appliance type FL 400S / FL 800S is operated using 4 pushbuttons on the wooden frame.

Each pushbutton controls a colour. If a pushbutton

is pressed, the respective coloured light comes on. Pressing it again switches the light in question back off.

Several lights can be switched on simultaneously.



Pushbuttons

Non-detachable models:

The non-detachable models, FL 400, FL800 and FL 800 UV, are operated using the control unit EMOTEC C55, ECON F1 or 60FL. Please take note of the control unit's operating instructions.

Operating the UV lights on the FL 800 UV




You should precisely follow the advice below.

The sun provides warmth, light and ultraviolet rays. The three different types of ultraviolet rays are UV-A, UV-B and UV-C rays. The long-wave UV-A rays are gentle to the skin and tan the pigment. It is the rays of the UV-B region which first start the formation of pigment but they also cause sunburn. UV-C rays don't penetrate the earth's atmosphere. If UV-B rays are largely filtered out, then sunburn will not occur but, on the other hand, no melanine will form. Melanine is the substance in the cells on the surface of the skin which changes into pigment. This pigment then darkens in mild UV-A light and thus the skin tans.

The UV-A light of the sun, which is pure and gentle to the skin, tans very slowly. However in radiation intensities higher than that of the sun, the UV-A light, by means of direct pigmentation, is able to tan the pigments already present in the skin. With FL 800 UV you can obtain this direct tanning which is gentle to the skin. Rays may be dangerous for your eyes.

- The device must be used in IR-cabines only.
- If you are not feeling well or have unclear symptoms, do not use the tanning instrument without the permission of the doctor. The same holds true if you are taking any kind of medication - especially such medicines which lead to an increased sensitivity to the sun or to light.
- Make sure that you avoid an overdose of the insolation. This basic warning is valid for every type of tanning instrument and even more so for the sun itself.
- When using the instrument, make sure that you wear protective glasses.
- The device must not be switched on in explosive areas.

- Do not expose articles which would also fade or be damaged by natural sunshine to the UV-A light of the instrument.
- Do not use any sun protection creams. The skin should be clean and free of cosmetics.
- After the tanning session apply a moisturizer to the skin.

 **The FL 800 UV unit must only be installed on the side walls of infrared saunas.**

Tanning instructions (FL 800 UV)

The length of the tanning sessions will depend on your particular skin type. Always wear protective glasses or goggles when tanning. Ten sunbaths in a row make up the normal tanning cycle; the length of the individual sessions should be selected in accordance with the table. Then take a break for four weeks.

Do not attempt to achieve a quicker tan by extending the length of the tanning treatments. If you feel that your skin is tight and reddened, you should reduce your tanning time by 5 minutes and tan only on alternate days.

It is not possible to obtain a deeper tan than what would be possible in the sun at ideal conditions; your skin type is what ultimately determines the degree of tan which you will achieve. It is quite natural that fair skin, in particular, which hardly develops any pigments at all in the natural sun, will be just as difficult to tan under artificial sun.

Tanning session	1st day	2nd-10th day
very sensitive skin (always reddening, negligible tanning)	5 min	15 min
sensitive skin (always reddening, little tanning)	10 min	20 min
normal skin (little reddening, fair tanning)	10 min	25 min
insensitive skin (never reddening, quick tanning)	10 min	30 min

Switching on the UV tubes (FL 800 UV)



Timer for UV lights

The desired time can be set using the knob on the timer.

The maximum setting on the tanning time is 30 minutes.

Keep as close as possible to the tanning device. The closer you are to the device, the greater the tanning effect.

When the set time expires, the appliance switches off automatically.

Connect the control unit according to the wiring diagram below.

color coding:

green/yellow	=	PE
1	=	N
2	=	red
3	=	yellow
4	=	green
5	=	blue
6	=	UV

Spare parts:

The UV tubes are subject to ageing.

Their tanning ability wears out after about 500 hours, after which they should be replaced.

Only replace with original spare parts.

You can purchase the following replacement bulbs from specialist retailers or our service centre:

Tanning tubes:

Excellent VSE Power 15 W 2%

Item no.: 20003116

Coloured tubes:

8 W green Item no.: 20013572

8 W red Item no.: 20013574

8 W blue Item no.: 20013575

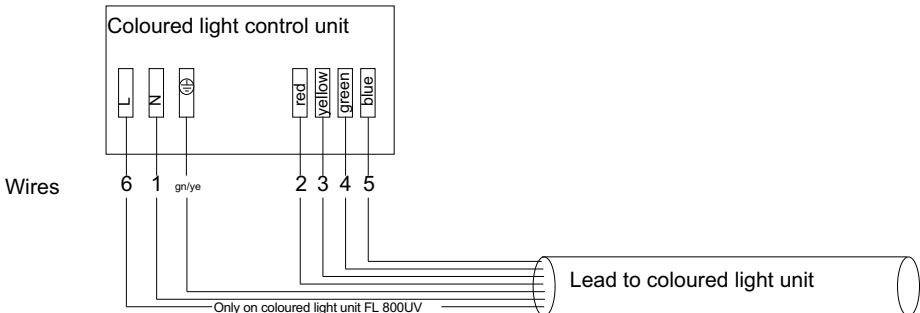
8 W yellow Item no.: 20013576

Starter:

Dr. Kern BST 20 W

Item no.: 20008777

Circuit diagram for non-detachable coloured light units



Changing bulbs and starters



CAUTION!

Before opening your coloured light unit, disconnect both the coloured light unit and the control unit from the mains!

Only replace with original spare parts.

Undo the plastic screws on the housing and remove it.

You can now change the bulbs or starters. The bulbs and starters can be removed by turning them in their sockets.

Then insert the new bulbs or starters and turn them about 90° in their sockets.

Next replace the housing and fasten it with the plastic screws.



Performance data:

FL 400 / FL 400 S

4 special coloured light bulbs each 8W

Voltage 230 V AC N 50 Hz

Power consumption 35 W

FL 800 / FL 800S

8 special coloured light bulbs each 8W

Voltage 230 V AC N 50 Hz

Power consumption 70 W

FL 800 UV

4 special coloured light bulbs each 8W

4 UV bulbs each 18 W

All coloured light units (except FL 400S) are operated using the coloured light control unit. EMOTEC C55, ECON F1 or 60FL.

Effect of Colors

The **psychological** influence of the colors is perceived by the eyes. From there the color radiation is transferred to the brain in a complex process, where it develops its effect in the form of certain impressions and energy.

The colors affect the **nervous system** vitalizing the body's resistance. Certain body systems are activated depending on the type of color.

Physical absorption takes place primarily over the skin through direct radiation of the colors.

Chemical absorption takes place in the gastro-intestinal tract in the form of a mixed diet in all colors.

BLUE, the color of the sky and water, is connected with longing, vastness and coolness. Coolness retards human functions, the reason why blue is calming and relaxing and can help alleviate nervous disorders, insomnia, restlessness and fear.

GREEN is the color of nature. Green light soothes and inspires simultaneously. It provides relaxation and regeneration. Green light is reputed to have a positive effect on the bronchi and lungs and to be helpful for nervous disorders, headache and inflammation of the joints.

YELLOW is said to intensify a positive vital attitude and increase general well-being. Yellow colors can stimulate and fortify the nerves and dispel gloom and melancholy, gastro-intestinal disorders can be compensated.

RED is associated with fire and blood. The color for activity, vitality and warmth. Red is reputed to stimulate circulation and therefore contribute to a general increase in well-being and vitality

Please keep this address in a safe place together with the installation guide.

To help us answer your questions quickly and competently, please provide data printed on the ID plate, to include system type, article no. and serial no., in all inquiries.

Service Address:

EOS-WERKE GÜNTHER GmbH
Adolf-Weiß-Straße 43
35759 Driedorf-Mademühlen, Germany
Fon: +49 (0)2775 82-0
Fax: +49 (0)2775 82-431
servicecenter@eos-werke.de
www.eos-werke.de

Guarantee

The guarantee is taken over according to the legal regulations at present.

Manufacturer's warranty

- The period of warranty starts from the date of purchase and lasts up to 2 years for commercial use and 3 years for private use.
- Always include the completed warranty certificate when returning equipment.
- The warranty expires for appliances which have been modified without manufacturer's explicit agreement.
- Damages caused by incorrect operation or handling through non-authorized persons are not covered under the terms of warranty.
- In the event of a claim, please indicate the serial number as well as the article code number and type name with expressive description of the fault.
- This warranty covers damaged parts but no defects due to wear and tear.

In case of complaint please return the equipment in its original packaging or other suitable packaging (caution: danger of transport damage) to our service department.

Always include the completed warranty certificate when returning equipment.

Possible shipping costs arising from the transport to and from point of repair cannot be borne by us.

Outside of Germany please contact your specialist dealer in case of warranty claims. Direct warranty processing with our service department is in this case not possible.

Equipment start-up date:

Stamp and signature of the authorized electrician:

Handling procedures for return shipments (RMA) - Details for all returns !

Dear customer

we hope that you will rejoice in the ordered articles. Just in case that you are not entirely contented as an exception, please follow the procedures specified below. This enabling us to ensure a quick and smooth handling of the return shipment.

Please absolutely respect for all returns!

- Please add the available **RMA-voucher** always **completely filled out** together with an **invoice copy** to the return shipment! Do not stick it on the goods or on the packaging. **We do not accept the return shipment without these papers.**
- Not prepaid parcels **will be refused** and returned to Sender! Please always ask for the **RMA-No.** for the cheapest return.
- **Please pay attention that** the goods have to be sent back **without visible marks of use** in the **original scope of delivery and in original packing.**
- We recommend to use an **additional solid and break-proof covering box** which should be padded out with styrofoam, paper or similar. Transport damages as a result of faulty packing are for the sender's account.

Form of complaint:

1) Transport damage

- Please check the content of your parcel immediately and advise the forwarding company of a claim (parcel service/ freight forwarder)
- Do not use damaged goods!
- Ask the forwarder **for a written acknowledgement of the damages.**
- **Report the claim promptly by phone to your dealer.** He will discuss with you how to act in this case.
- If the transport box has been damaged, please use an additional covering box. Do not forget to add the **acknowledgement of the damage of the forwarding company !**

2) Faulty goods

- The implied warranty period is 2 years. Please contact your dealer in case of **faulty or wrong articles or missing accessories.** He will discuss with you the individual case and try for immediate and customer-friendly solution.
- For **economic returns** within Germany you will get an **RMA-number from the manufacturer.**
- All returns have to be in the **original packing of the goods with corresponding accessories.** Please repack the goods to avoid damages. In case of wrong delivery, please do not use this article !

3) Problems of installation and functioning

- Please **read the manual carefully first of all** and pay attention to the indicated assembly or installing instructions.
- **Your dealer should be the first contact person** because he knows his products best and also knows possible problems.
- **In case of function problems with an article,** please check at first whether there is an obvious material defect. The quality system in our factory reduces malfunctions of new appliances to almost zero.