

Sauna control unit EMOTEC B 6000

for Finnish sauna

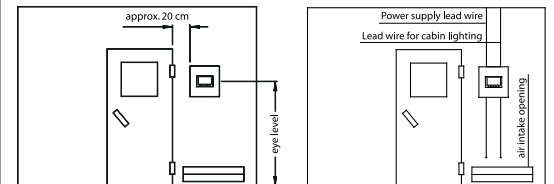
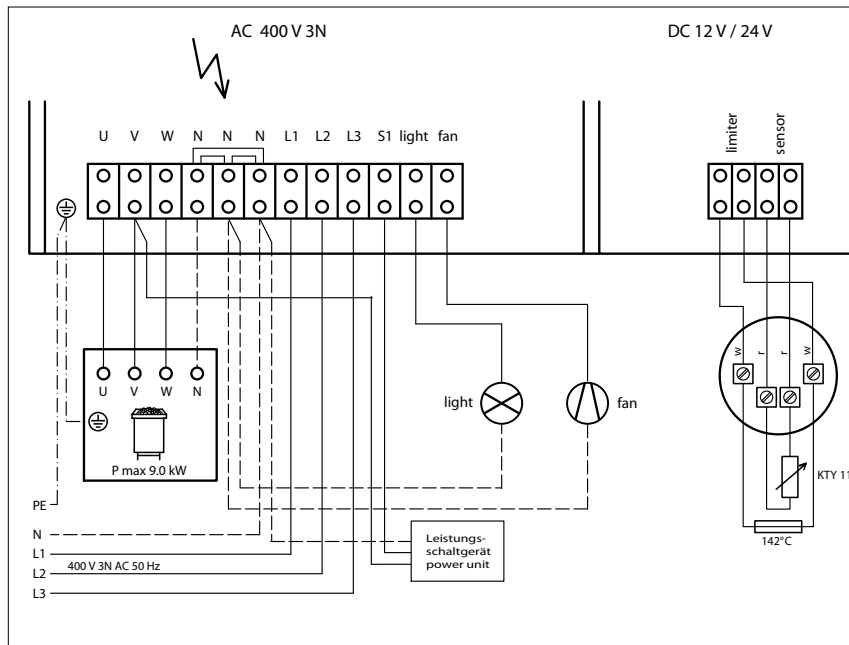
- Casing: injection moulded plastic upper and lower part
- Control buttons: raised, with epoxy abrasion protection
- Display: jumbo LCD display, with high contrast backlighting
- Control: digital two-point control
- Heating time shut-off: 6 hours

Temperature pre-selection, fault signalling. Connection for cabin light and fan. Safety temperature limiter 142 °C. Light and fan are fuse-protected internally. With switch-off.

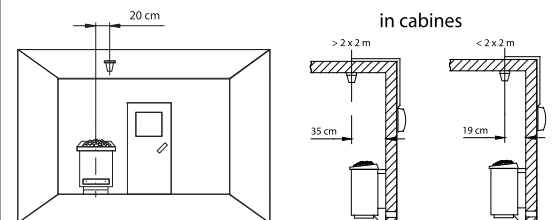


MADE IN GERMANY

Connection diagram



Mounting the sensor



Art.-No	Electr. connection / capacity	Connection for power switch gear to max. 36 kW	Time preselection	Temperature control range in sauna operation	Heating time shut-off	Humidity control	Temperature control range in humidity operation	Switching on/off		Dimensions H/W/D in cm	Environmental temperatures	Weight without package approx.
								Cabin lighting	Ventilator			
94.3885	400 V 3N AC 50 Hz max. 9 kW ohm resistive load	yes	24 h in real time	30 - 115 °C	6 h	no	-	max. 100 W (only ohm resistive load)	to max. 100W without starting capacitor (only fan without capacitor)	24 / 23 / 7	-10 °C to + 35 °C	1,0 kg

Subject to technical modifications