

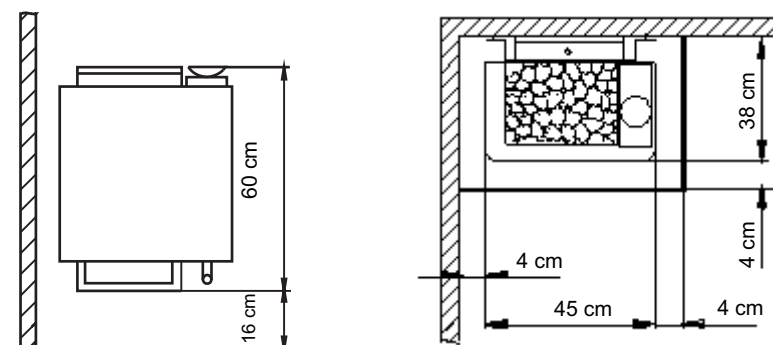
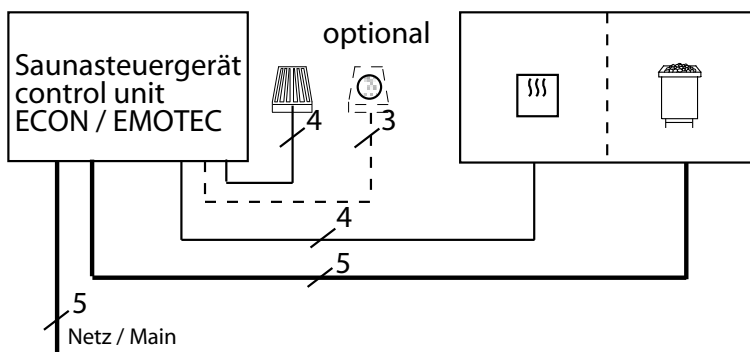
Sauna heater Bi-O Tec

For the family sauna

Outer shell: bright high-grade steel or anthracite pearl effect
 Inner shell: bright high-grade steel
 Water container: for approx. 5 litres
 Stone filling: 15 kg incl.

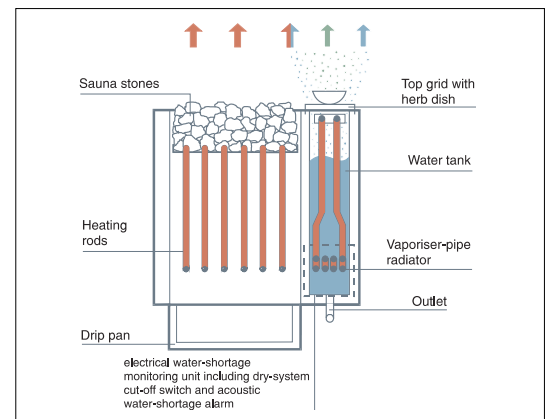
High-quality elegant diecast aluminium cover.
 High-grade steel herb bowl to hold the herbs, aromatic oils and essences.
 Electrical low-water monitor incl. Dry-running protection and lowwater buzzer.

Connection diagram



CE DVE IP x4 PC

MADE IN GERMANY



| Art.-No. | Outer shell | Capacity acc. DIN | Vaporiser-capacity -volume | Electrical Connection | Fuse control unit in A | Installation dimensions H/W/D cm | For cabin size | Minimum dimensions of air intake and exhaust vents | Weight without stones without package | Stone filling | Connecting cable main - control unit in mm ² | Connecting cable control unit - heater in mm ² | Power switch gear (LSG) needed | For operation with control units |
|----------|------------------|-------------------|----------------------------|-------------------------|------------------------|----------------------------------|-----------------------|--|---------------------------------------|---------------|---|---|--------------------------------|---|
| 94.2605 | anthracite | 6,0 kW | 1,5 kW 5 l | 3N AC 50 Hz 400 V | 3 x 16 | 76**/ 45 / 38 | 6 - 8 m ³ | 35 x 4 cm * | 16,5 kg | 15,0 kg | 5 x 2,5 | 5 x 1,5 & 4 x 1,5 | no | ECON H2 EMOTEC HCS 9003 EMOTEC HCS 9003 DB/DL |
| 94.2608 | high-grade steel | | | | | | | | | | | | | |
| 94.2606 | anthracite | 7,5 kW | 2,0 kW | | | | | | | | | | | |
| 94.2609 | high-grade steel | | | | | | 7 - 10 m ³ | 35 x 5 cm * | 17,0 kg | | | | | |
| 94.2607 | anthracite | 9,0 kW | 5 l | | | | 9 - 14 m ³ | 35 x 6 cm * | 17,5 kg | | | | | |
| 94.2610 | high-grade steel | | | | | | | | | | | | | |

All cross sections of a line are minimum diameters in mm² (Copper line)
 * or in accordance with the instructions of the cabin manufacturer ** during 16 cm ground clearance

Subject to technical modifications