

# Coloured light control unit ECON F1

Casing: plastic upper and lower part  
 Control buttons: keypad  
 Operation modes: manual or automatic coloured light selection

In automatic operation

Colour sequence: red - red/yellow - yellow - yellow/green - green - green/blue - blue - blue/red

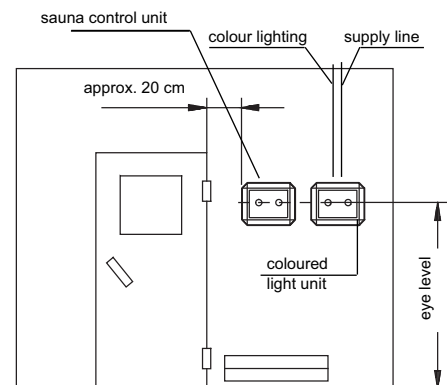
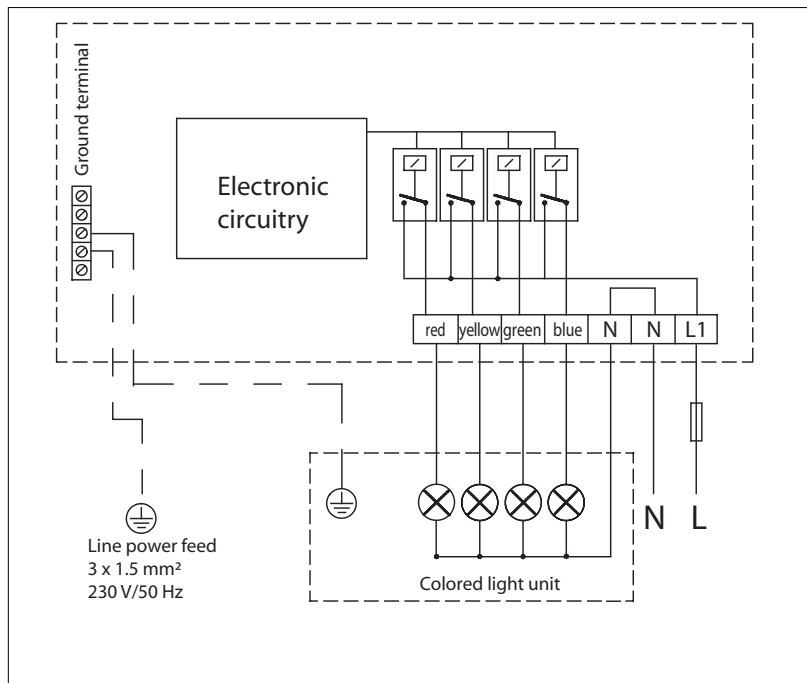
Single colour duration: adjustable from 1 - 10 minutes

Mixed colour duration: 10 seconds, adjustable to single colour duration



MADE IN GERMANY

## Connection diagram



Art.-No	electrical connection / capacity	Fuse protection	Display	Dimensions H/W/D in cm	Environmental temperature	Weight without package approx.
94.3903	230 V N AC 50 Hz max. 400 W per colour	10 A	LED	24/31/8	-10°C to +40 °C	1.0 kg

Subject to technical modifications