

# Coloured light unit FL 400 / 400 S / FL 400 FB

## for fixing in IR-cabins

### FL 400

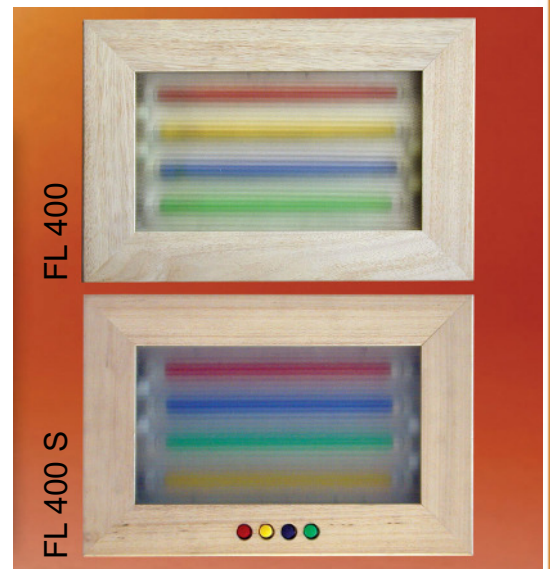
Coloured light unit with four special fluorescent coloured light lamps each 8 W in red, yellow, green and blue. The unit can be fixed beneath the ceiling or onto the wall of an IR-cabin. Lamps and starters are easily accessible. Safety glass cover with special grain for optimal light dispersion and resulting uniformly light irradiation in the cabin.

### FL 400 S

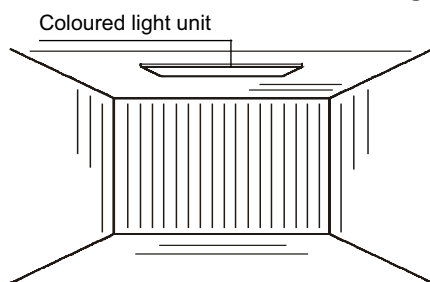
Coloured light unit as FL 400 but with four switches for each single coloured light lamp. Each switch controls a colour. Several lamps can be switched on simultaneously.

### FL 400 FB

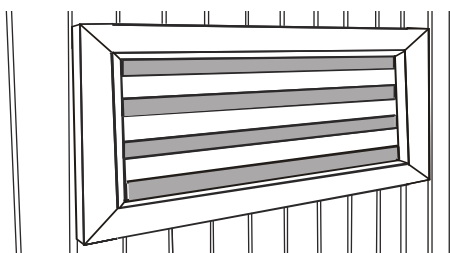
Coloured light unit as FL 400 but with remote control.



#### Installation on the cabin ceiling

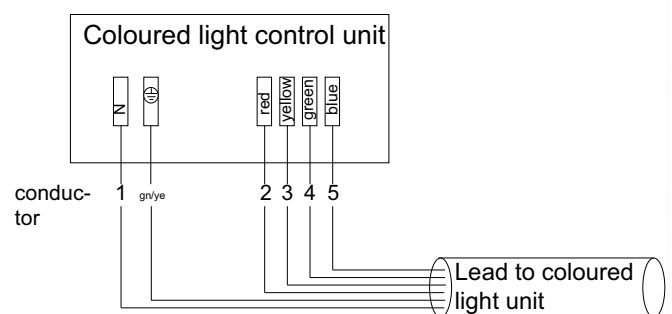


#### Installation on the cabin wall



CE IPx4 AR56  
MADE IN GERMANY

#### Connection diagram for FL 400 with control unit



Art.No.	electrical connections	Capacity	Lamps	Dimensions L/W/D incm	Weight without package	Control unit needed	Connecting cable control unit - coloured light unit	for operation with control units
FL 400 94.3732	230 V N AC 50 Hz	64 W	4 coloured florescent lamps colours blue, green, yellow and red ea. 8 W	45 / 30 / 6	5,0 kg	ja	6 x 1,5 mm <sup>2</sup>	60 FL ECON F1 EMOTEC C55 EMOTEC HIC 75
FL 400 S 94.3733					4,7 kg	nein		
FL 400 FB 94.4123					5,0 kg			

Subject to technical modifications