

Sauna heater 46.U compact For family sauna

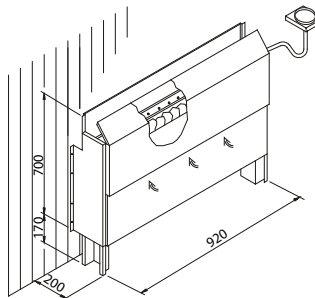
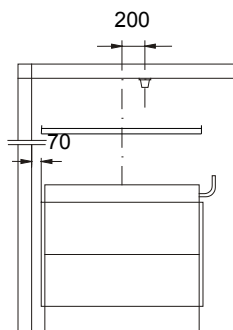
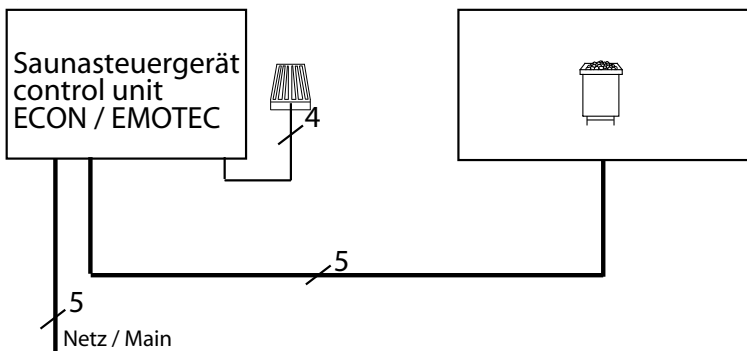
Heater for fitting
behind the wall

Front upper section: high-grade steel
Outer shell: high-grade steel
Inner shell: hot-dip aluminium coated sheet
Stone basket: high-grade steel
Stone filling: 10 kg incl.

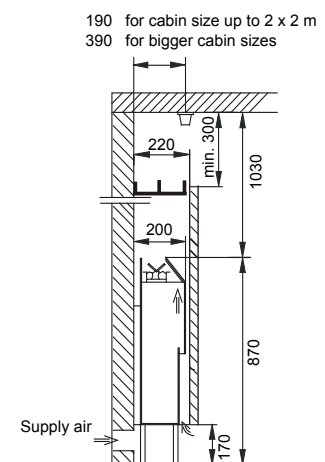
Stone basket with infusion bowl over full heater width. Infusion funnel with 1 m silicone extension hose and 6 m silicone connecting cable 5 x 1,5 mm².

Connection diagram

7,5 kW



CE IP x4 PG
MADE IN GERMANY



Art.-No.	Capacity acc. DIN	Electrical Connection	Fuse control unit in A	Installation dimensions H/W/D cm	For cabin size	Minimum dimensions of air intake and exhaust vents	Weight without stones without package	Stone filling	Connecting cable main - control unit in mm ²	Connecting cable control unit - heater in mm ²	Power switch gear (LSG) needed	For operation with control units
94.4232	7,5 kW	3N AC 50 Hz 400 V	3 x 16	87 / 92 / 20	7 - 10 m ³	35 x 5 cm	ca. 20 kg	10 kg	5 x 2,5 ²	5 x 1,5 ²	no	ECON 45A1 ECON 45A2 ECON 45H2 EMOTEC B6000 EMOTEC DC9000 EMOTEC DC9000 DB/DL/DLF EMOTEC HCS9003 EMOTEC HCS9003 DB/DL/DLF EmoTch II PB/AF/GF

All cross sections of a line are minimum diameters in mm² (Copper line)

Subject to technical modifications