

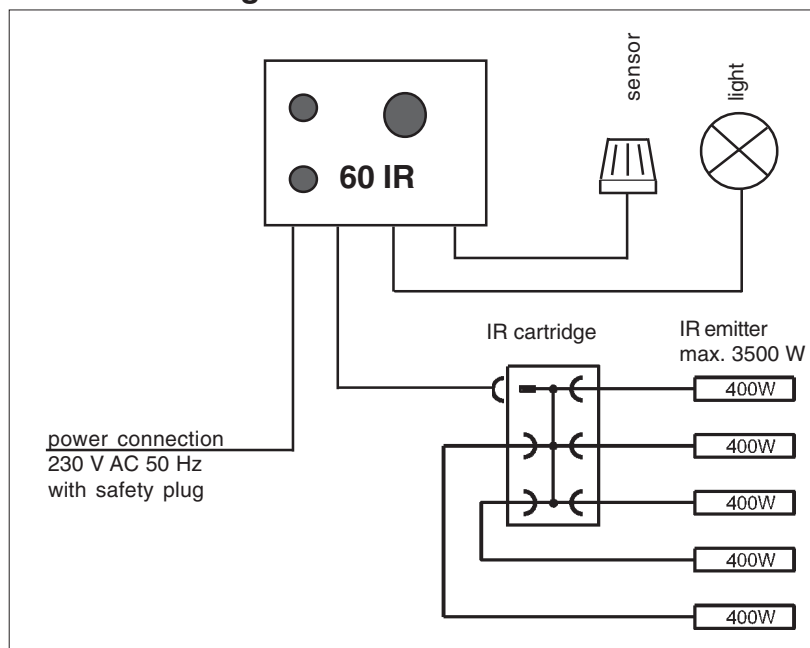
Infrared controlling unit

60 IR

- Casing: ABS plastics, white
- Control buttons: Two buttons for operation and illumination. One button for temperature setting.
- Control: electronically via KTY-Sensor and safety temperature limiter 139°C.
- Heating time shut-off: 60 minutes

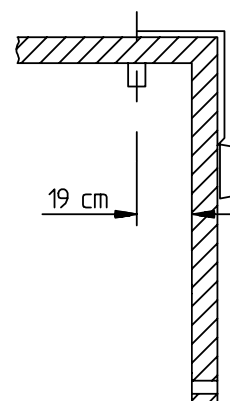


Connection diagram



MADE IN GERMANY

Sensor mounting



Art.-No.	Elektrical connection/ power	Fuse	Indicator	Control range	Dimensions H/W/D [cm]	Environmental temperature during operation	Weight without package
943118	230 V N AC 50 Hz max. 3,5 kW	16 A	LED's for operation (green) and heating (red)	30 - 70 °C	18/14/5	-20°C to +70 °C	approx. 0.8 kg

Subject to technical modifications