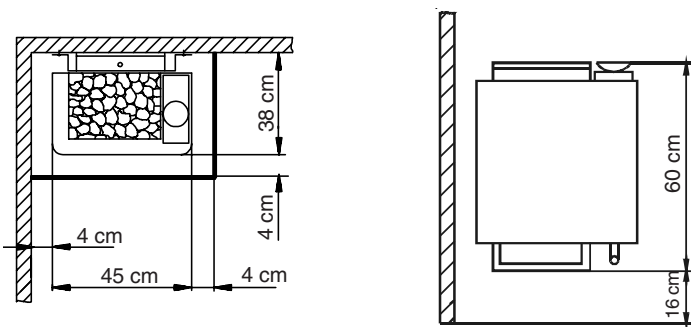


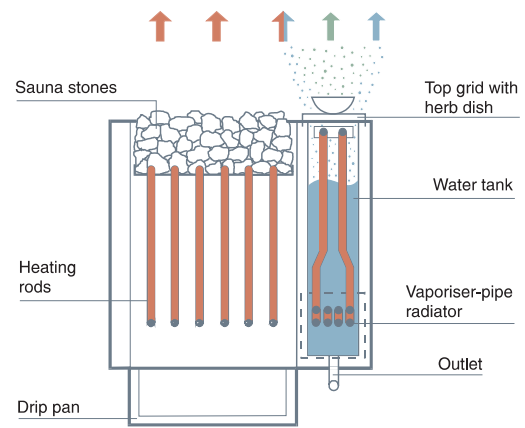
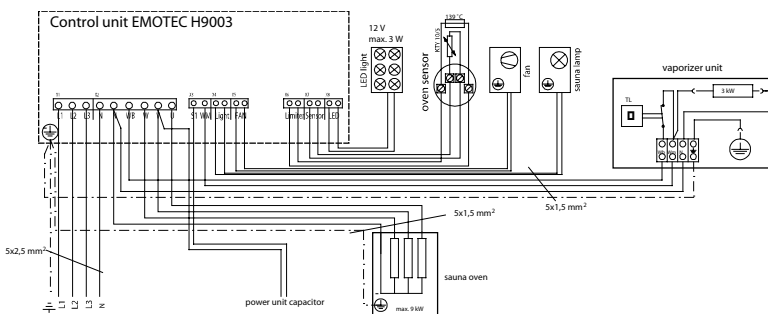
## Electric Sauna heater Bi-O-Tec (wall mounted version)

Combi wall-mounted heater with vaporizing pocket integrated into the side of the heater. High-quality elegant die cast aluminium cover. Water pocket for approx. 5 litre filling quantity. Vapour exit close to the sauna rocks at the side. High-grade steel herb bowl to hold the herbs, aromatic oils and essences. Electrical low-water monitor incl. Dry-running protection and low-water buzzer.

15 kg box of sauna rocks included. Recommended for the family sauna. To be used with ECON H1, ECON H2S and EMOTEC H 9003/ HCS 9003/ HIC 75 control units.



### Connecting diagram



electrical water-shortage monitoring unit including dry-system cut-off switch and acoustic water-shortage alarm

Art.-No	Capacity	Electrical connection	Installation dimensions H/W/D in cm	Suitable for cabin volumes	Minimum ventilation size	Weight (excl. stones or packing) approx.	Sauna stones	Outer casing
94.2605	6.0 kW	400 V 3N AC 50 Hz	76/45/38	6 - 8 m <sup>3</sup>	35 cm x 4 cm *)	16.0 kg	15 kg	anthracite
94.2606	7.5 kW	400 V 3N AC 50 Hz	76/45/38	7 - 10 m <sup>3</sup>	35 cm x 5 cm *)	16.5 kg	15 kg	
94.2607	9.0 kW	400 V 3N AC 50 Hz	76/45/38	9 - 14 m <sup>3</sup>	35 cm x 6 cm *)	17.0 kg	15 kg	
94.2608	6.0 kW	400 V 3N AC 50 Hz	76/45/38	6 - 8 m <sup>3</sup>	35 cm x 4 cm *)	16.0 kg	15 kg	high-alloyed steel, plain
94.2609	7.5 kW	400 V 3N AC 50 Hz	76/45/38	7 - 10 m <sup>3</sup>	35 cm x 5 cm *)	16.5 kg	15 kg	
94.2610	9.0 kW	400 V 3N AC 50 Hz	76/45/38	9 - 14 m <sup>3</sup>	35 cm x 6 cm *)	17.0 kg	15 kg	

\*or according to cabin producer's specification

Subject to technical modifications.