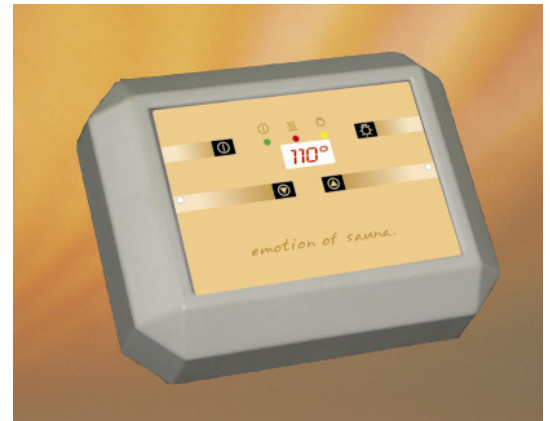


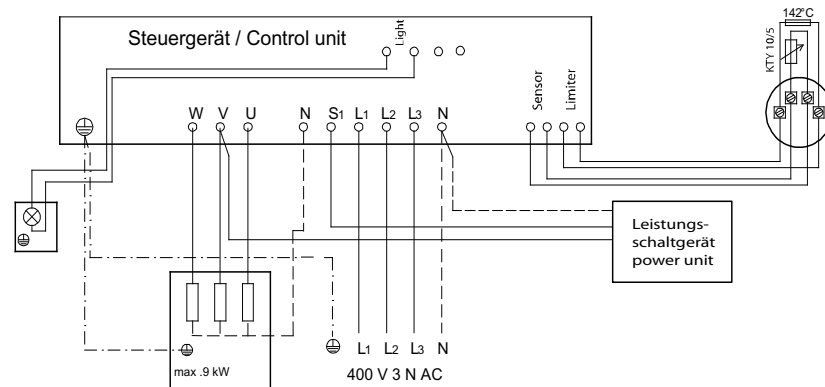
Sauna control unit 45A1

For Finnish sauna

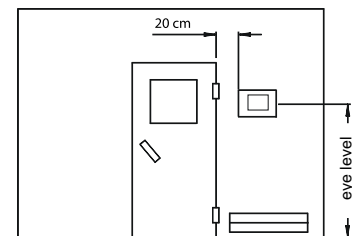
- Casing: plastic upper and lower part
- Control buttons: membrane keypad
- Display: 3-digit 7 segmented display for temperature preselection
- Control: digital two-point control
- Heating time shut-off: 6 hours
- Temperature preselection.
- Malfunction notification by LED.
- Connection for cabin light.
- Safety temperature limiter 142 °C.
- With switch-off.



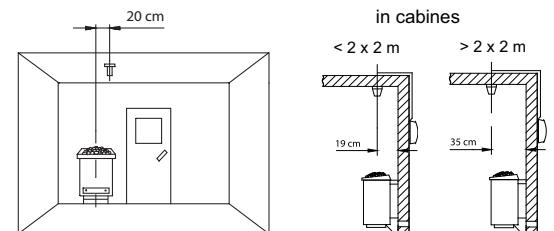
Connection diagram



MADE IN GERMANY



Mounting the sensor



Art.No.	Electric connection / capacity	Connection for power switch gear	Time preselection	Temperature control range in sauna operation	Heating time shut-off	Humidity control	Temperature control range in humidity operation	switching on/off cabin lighting	switching on/off ventilator	Dimension H/W/D in cm	Environmental temperatures	Weight without package approx.
94.4378	400 V 3N AC 50Hz max. 9 kW ohm resistive load	yes	no	40 - 115° C	6 h	no	no	max. 100 W max. 500 mA	no	22 / 28 / 8	-10 bis +40° C	1,0 kg

29343850en 07.09

Subject to technical modifications