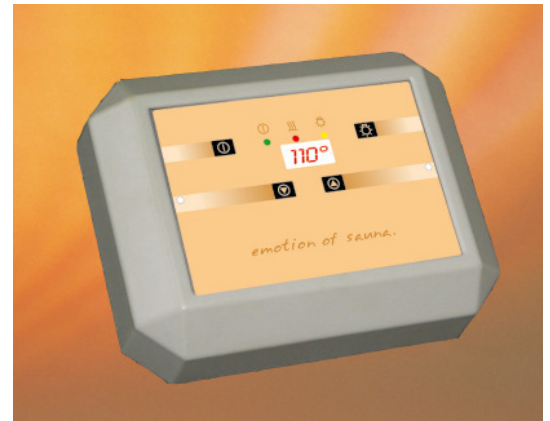


# Sauna control unit ECON 45A1 N

## For Finnish sauna

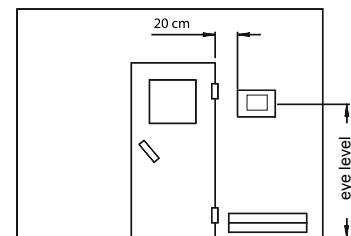
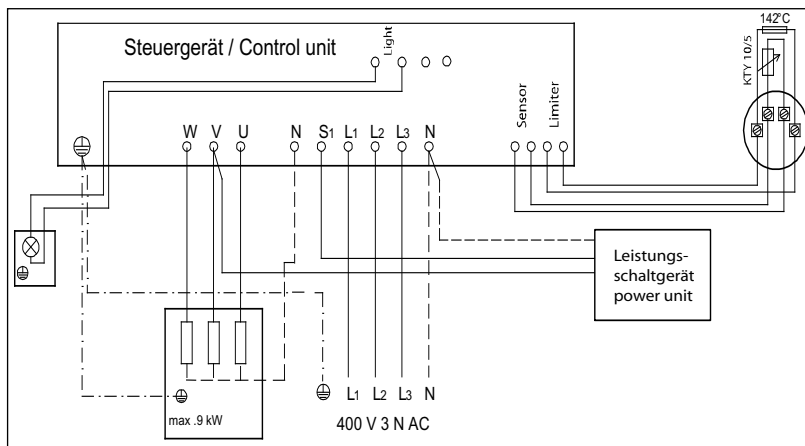
- Casing: plastic upper and lower part
- Control buttons: membrane keypad
- Display: 3-digit 7 segmented display for temperature preselection
- Control: digital two-point control
- Heating time shut-off: 30 minutes
- Temperature preselection.
- Malfunction notification by LED.
- Connection for cabin light.
- Safety temperature limiter 142 °C. With switch-off.

Special sauna control unit for use according the international nautic-law.

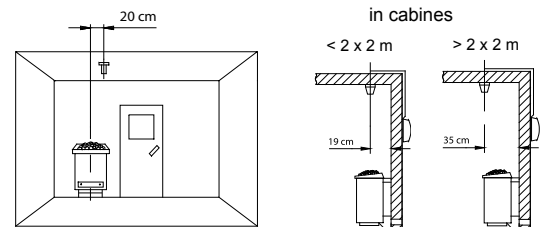


MADE IN GERMANY

### Connection diagram



### Mounting the sensor



Art.-No	Electric connection / capacity	Connection for power switch gear to max. 36 kW	Time pre-selection	Temperature control range in sauna operation	Heating time shut-off	Humidity control	Temperature control range in humidity operation	Switching on/off		Dimensions H/W/D in cm	Environmental temperatures	Weight without package approx.
								Cabin light	Ventilator			
94.4638	400 V 3N AC 50 Hz max. 9 kW ohm resistive load	yes	no	40 - 115°C	30 min	no	-	max. 100 W max. 1 A	no	22/28/8	-10°C to +40 °C	1.0 kg

Subject to technical modifications