

Sauna control unit ECON 4509

For Finnish sauna

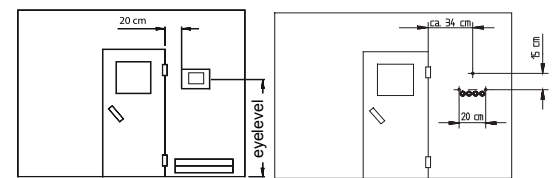
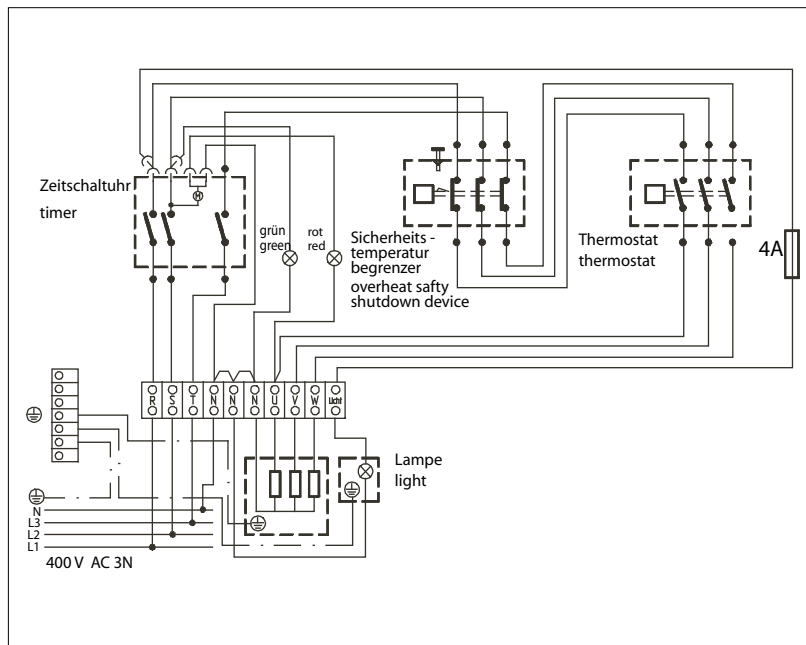
Casing: plastic upper and lower part
 Control buttons: turning knob control
 Display: signal lamps "operation" and "heating"
 Control: thermostatic capillary sensor and limiter
 Heating time shut-off: 4 hours



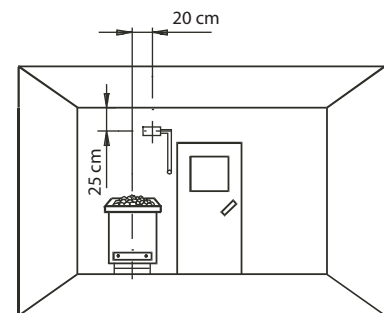
CE IPx4 PG
AR 56

MADE IN GERMANY

Connection diagram



Mounting the sensor



Art.No.	Electric connection / capacity	Connection for power switch gear	Time preselection	Temperature control range in sauna operation	Heating time shut-off	Humidity control	Temperature control range in humidity operation	switching on/off cabin lighting	switching on/off ventilator	Dimension H/W/D in cm	Environmental temperatures	Weight without package approx.
94.4637	400 V 3N AC 50Hz max. 9 kW ohm resistive load	no	no	40 -115° C	4 h	no	no	yes	no	22/28/8	-10 bis +40° C	1,5 kg

Subject to technical modifications