

Sauna control unit EMOTEC DC 9000

For Finnish sauna. Optional for 2nd sensor and coloured light control.

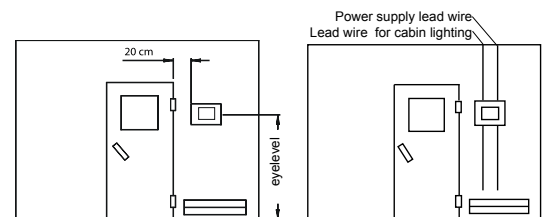
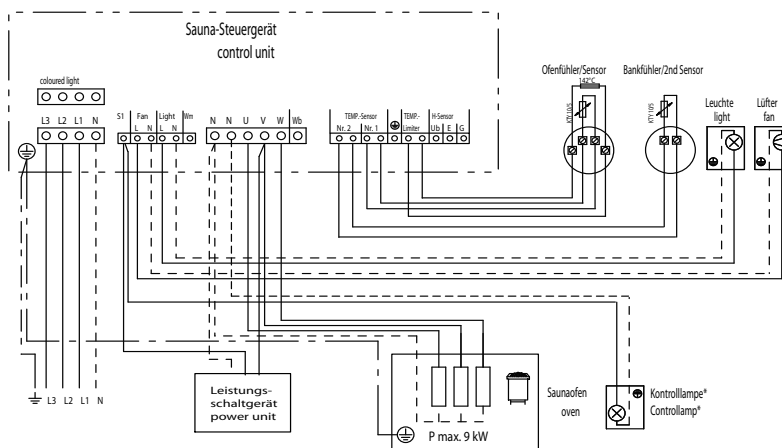
- Casing: injection moulded plastic upper and lower part
- Control buttons: raised, with epoxy abrasion protection
- Display: jumbo LCD display, with high contrast backlighting
- Control: digital two-point control
- Heating time shut-off: 6 hours, 12 hours or unlimited for commercial use
- Coloured light operation: max. 4 x 100W (optional with module for coloured light control, ArtNo. 94.2761 or 944286)
- 2nd sensor: optional Art.No. 94.4389

Temperature preselection, fault signalling. Connection for dimmable cabin light and fan. Safety temperature limiter 142 °C. Light and fan are fuse-protected internally. With switch-off.

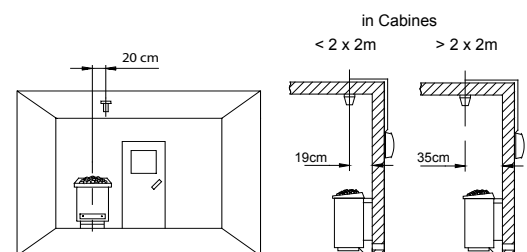


MADE IN GERMANY

Connection diagram



Mounting the sensor



* The control light indicating the heater operation in facilities without enabled heating time limitation must be installed in the room or at the desk of the responsible supervising staff member.

Art. No.	electr. Connection / capacity	Connection for power switch gear to max. 36 kW	Time preselection	Temperature control range in sauna operation	Heating time shut-off	Humidity control	Temperature control range in humidity operation	Switching on/off cabin light	Switching on/off ventilator	Dimensions H/W/D in cm	Environmental temperatures	Weight without package approx.
94.4412	400 V 3N AC 50 Hz max. 9 kW ohm resistive load	yes	24 h in real time	30 - 110° C	6 h 12 h unlimited	no	no	max. 200 W max. 500 mA only ohm resistive load	max. 200 W max. 500 mA only fan without capacitor	24/23/7	-10 bis +35° C	1,0 kg

Subject to technical modifications