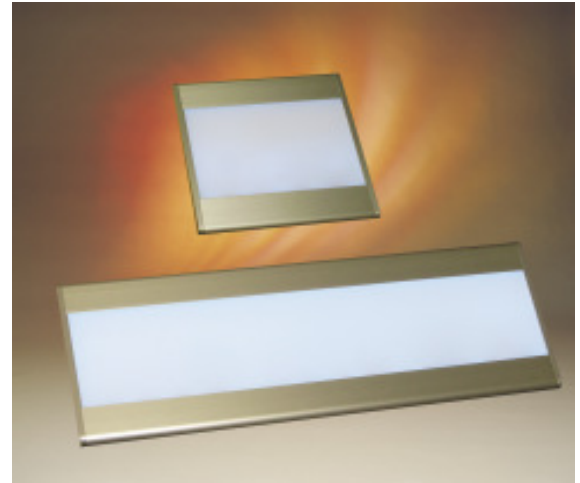


# Colour light system EMOLUX

- LED-based colour light unit with the colour spectre white, red, yellow, green and blue.
- Simple installation and easy servicing.
- Flickerfree, seamless colour transitions.
- Very intensive, rich colours.
- Compact and flat – very low height.
- Control with a wireless infrared remote control unit.
- Designed for installation on flat surfaces such as a cabin ceiling or walls.
- Installation on flat surfaces like ceiling or walls.
- Safety glass for optimal light dispersion and even colour distribution
- Delivery includes power adaptor with 3 m cable, EU type plug



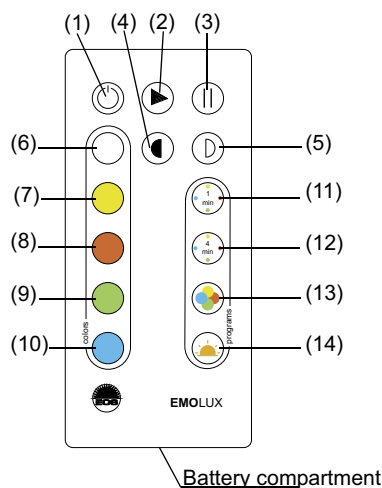
CE MADE IN GERMANY

**The EMOLUX colour light system is not designed for installation in sanacabins or similar places with the environment temperature more highly than 70°C.**

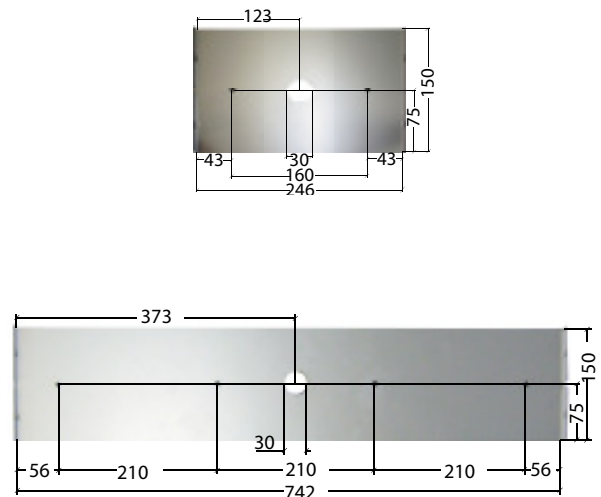
## Remote control unit

Functions:

- (1) On / offs
- (2) Resume program (run cycle)
- (3) Pause program (freeze colour)
- (4) Decrease light intensity (dimming)
- (5) Increase light intensity
- (6) Continuous white light
- (7) Continuous yellow light
- (8) Continuous red light
- (9) Continuous green light
- (10) Continuous blue light
- (11) Run colour sequence (cycle) red- yellow-green-blue at 1 minute per colour rate
- (12) Run colour sequence (cycle) red- yellow-green-blue at 4 minute per colour rate
- (13) Continuous colour rotation cycle red-yellow-green-blue
- (14) Sun dawn program



## Dimensions



## Specifications:

Item no.	94.4373	94.4374
Dimensions LWD app.	265 x 265 x 35 mm	265 x 763 x 35 mm
Power supply :	230 V 1N AC 50 Hz	230 V 1N AC 50 Hz
Power rating	70 W	150 W

Technical changes reserved