

CONTROL UNIT FOR COLOURED LIGHTS

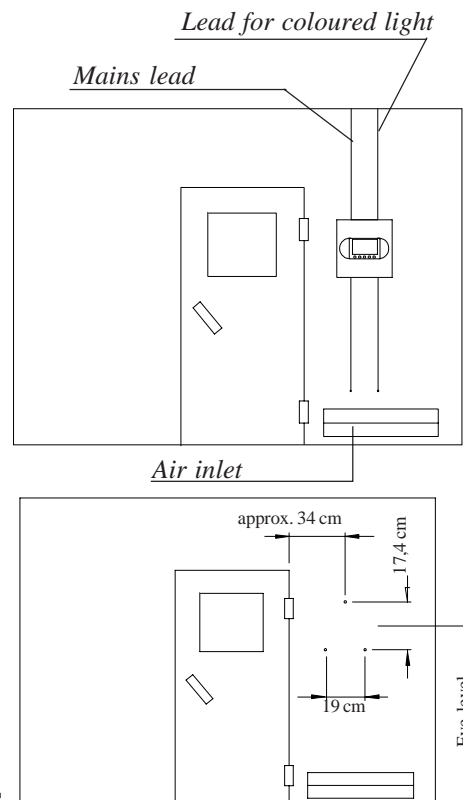
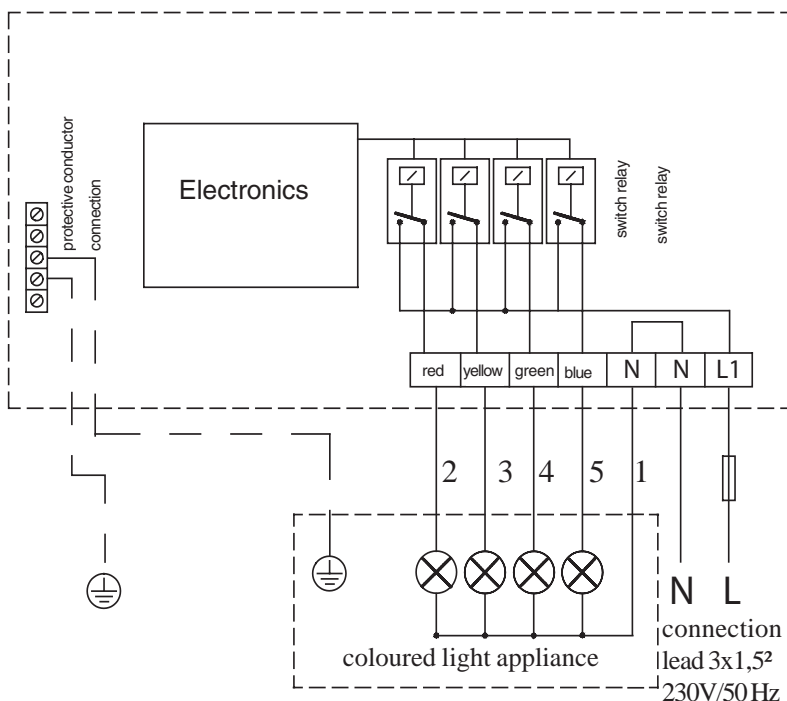
Typ EMOTEC C55

Electronic control unit for coloured lights with LED display. Continuous operation with single or mixed colours. Manual or automatic light colour choice. Static periods for single colours adjustable for 1 to 10 minutes in automatic operation. Static periods of 10 seconds for mixed colours in automatic operation, but adjustable to static periods for single colours. Automatic operation of maximally 10 minutes. Colour sequence in automatic operation: red-red/yellow-yellow-yellow/green-green-green/ blue-blue-blue/ red. Attractive injection moulded plastic casing design. Contact buttons with epoxy abrasion protection.



CE IP x4 MADE IN GERMANY

Connection diagram



Art.-No.	electric connection/capacity	display	protection type	dimensions H/W/D in cm	ambient temperature	weight (excl. packing)
94.2693	230 V N AC 50 Hz max. 400 W per colour 10 A fuse	LED	IPx4 conforming to DIN 40050 water spray protection	24/23/7	0°C to +40 °C	appr. 1 kg

Subject to technical modifications.