

Sauna control unit EMOTEC HCS 9003

For Finnish sauna and humidity operation.

Coloured light control and humidity sensor optional.

- Casing: injection moulded plastic upper and lower part
- Control buttons: raised, with epoxy abrasion protection
- Display: jumbo LCD display, with high contrast backlighting
- Control: digital two-point control
- Heating time shut-off: 6 hours, 12 hours or unlimited for commercial use
- Humidity control: proportional to time or optional with humidity sensor (ArtNo. 90.9479)
- Reheating: 20 mins after humidity program
- Water level monitoring: automatic shut down after 2 mins lack of water
- Coloured light operation: max. 4 x 100W (optional with module for coloured light control, ArtNo. 94.2761)

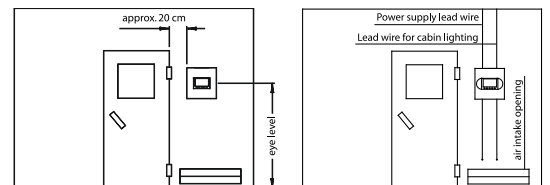
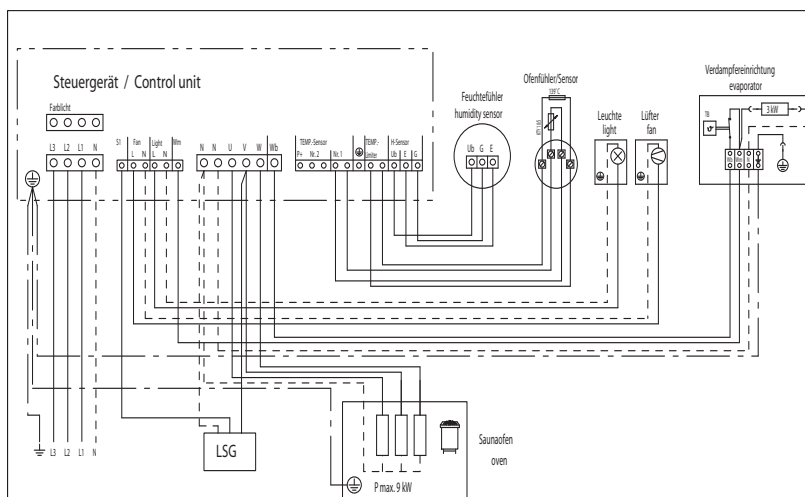


Temperature and humidity preselection, fault signalling. Connection for dimmable cabin light and fan. Safety temperature limiter 139 °C. Light and fan are fuse-protected internally. With switch-off.

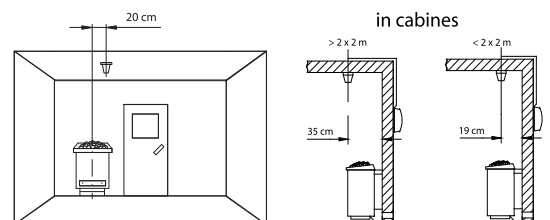


MADE IN GERMANY

Connection diagram



Mounting the sensor



Art.-No	electr. connection / capacity	connection for power switch gear to max. 36 kW	Time preselection	Temperature control range in sauna operation	Heating time shut-off	Humidity control	Temperature control range in humidity operation	Switching on/off		Dimensions H/W/D in cm	Environmental temperatures	Weight without package approx.
								Cabin lighting	Ventilator			
94.3850	400 V / 3N AC 50 Hz max. 9 kW ohm resistive load In humidity operation 6 kW + vaporizer 3 kW	yes	24 h in real time	30 - 110°C	6 h 12 h unlimited	proportional to time from 0 to 100 %, optional with humidity sensor	30 - 70 °C	dimmable max. 100W max. 500 mA (only ohm resistive load)	controllable max. 100W max. 500 mA (only fan without capacitor)	24/23/7	0°C to +35 °C	1.5 kg

Subject to technical modifications