

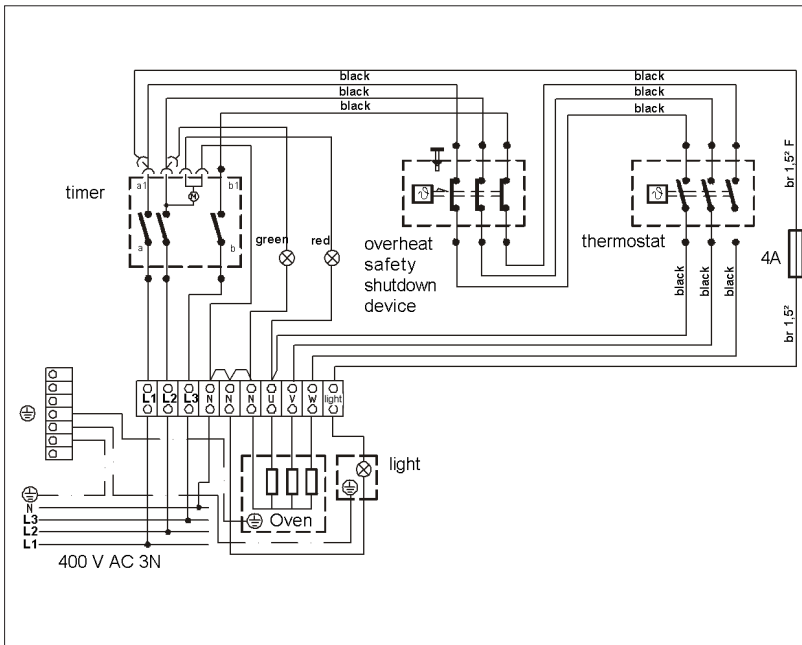
Sauna control unit ECON 09

for Finnish sauna

- Casing: plastic upper and lower part
- Control buttons: turning knob control
- Display: signal lamps "operation" and "heating"
- Control: thermostatic capillary sensor and limiter
- Heating time shut-off: 4 h

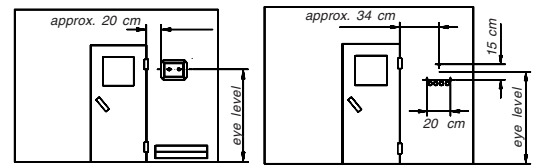


Connection diagram

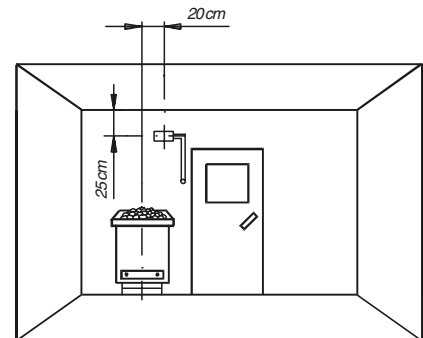


CE IP x4 PC

MADE IN GERMANY



Mounting the sensor



Art.-No	electric connection / capacity	connection for power switch gear to max. 36 kW	24 h real-time clock	Time preselection	Control range sauna operation	Heating time shut-off	Humidity control	Control range in humidity operation	Switching on/off		Dimensions H/W/D in cm	Operation temperatures	Weight without package
									Cabin lighting	Ventilator			
94.3886 00	400 V 3N AC 50 Hz max. 9 kW ohm resistive load	yes	no	no	40 - 115°C	4 h	no	-	yes	no	approx. 24/31/8	-20°C to +70 °C	approx. 1kg

Subject to technical modifications