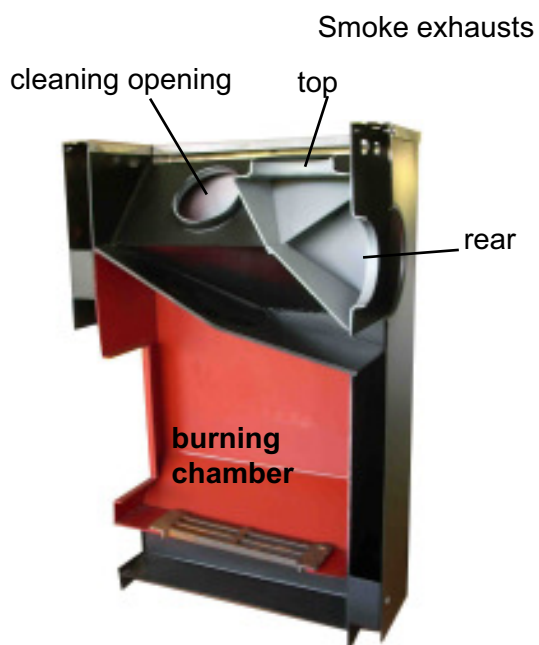
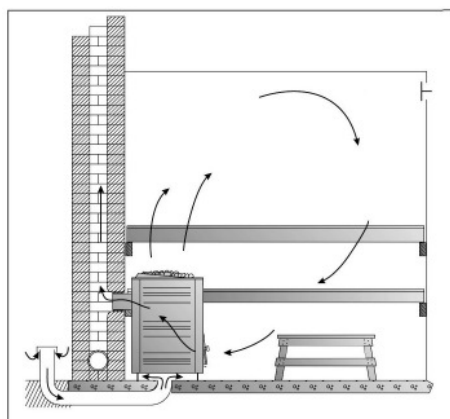


Free standing- Woodburning heater

for the midsize sauna (8 - 22 m³)

min sauna cabin size:	8 m ³
max. sauna cabin size:	22 m ³
Stone volume approx	40 kg
Width:	430 mm
Height:	730 mm
Depth:	510 mm
Weight:	50 kg
Art. No.:	94.4302
Safety distance:	sideways and backwards with walls from wood 500 mm with bricked walls 50 mm
Safety distance:	forward 1000 mm
Safety distance:	from surface to ceiling min. 1200 mm
Smoke window behind:	from bottom to the middle of the hole 560 mm
Smoke window above:	Centric 130 mm from the retal frame to connect from the top
Smoke window diameter:	115 mm
max. exhaust gas temperature:	350 °C



DruckNr. 29343650en 24.08

Subject to technical modifications