

Saunaofen Herkules S60

For commercial sauna

Free standing heater

Outer shell: The exterior design features a striking combination of straight lines, massive yet elegant steel with the raw sauna rocks.

The internal and external shell is completely made of the best quality stainless steel.

Terminal box: high-grade steel

Stone filling: 60 kg incl.

Service friendly unit assembly system

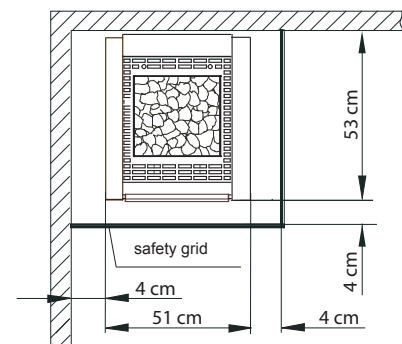
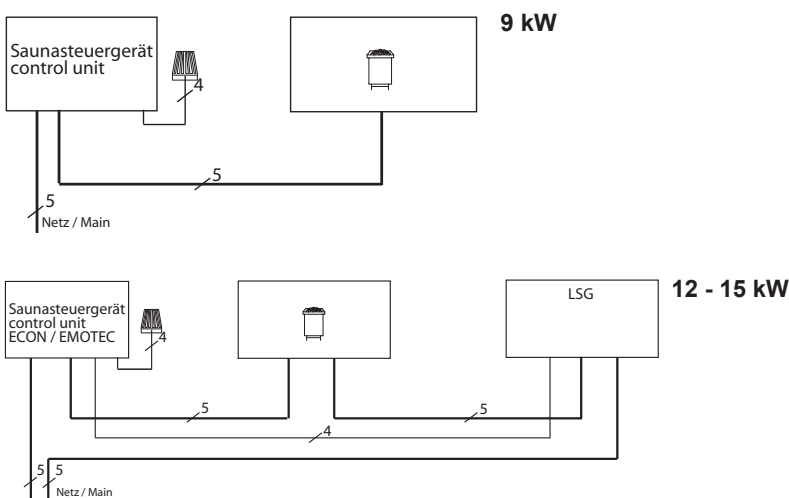
The heating elements are mounted on a rack and may be conveniently removed without the need to remove the rocks.

Optimised ratio of radiated heat and convection due to the appropriate amount of stones.



CE  IP X4
MADE IN GERMANY

Connection diagram



Capacity acc. DIN	Electrical. Connection	Fuse control unit in A	Fuse LSG in A	Connecting cable main - control unit in mm ²	Connecting cable main - LSG in mm ²	Connecting cable control unit - heater in mm ²	Connecting cable LSG - heater in mm ²	Connecting cable control unit - LSG in mm ²	
9,0 kW	3N AC 50 Hz 400 V	3 x 16	--	5 x 2,5	5 x 2,5	5 x 1,5	5 x 1,5	--	
12,0 kW			3 x 16					--	4 x 1,5
15,0 kW			3 x 16					--	4 x 1,5

All cross sections of a line are minimum diameters in mm² (Copper line)

Art.-No.	Outer shell	Capacity acc. DIN	Installation dimensions H/W/D cm	For cabin size	Minimum dimensions of air intake and exhaust vents	Weight without stones without package	Stone filling	Power switch gear (LSG) needed	For operation with control units
94.4493	Grinded stainless steel / anthracite	9,0 kW	85 / 51 / 53	9 - 14 m ³	35 x 6 cm	43 kg	60 kg	no	EMOTEC DC 9000 EMOTEC DC 9000 DB/DL/DLF EMOTEC HCS 9003 EMOTEC HCS 9003 DB/DL/DLF EmoTouch II PB/AF/GF
94.4272		12,0 kW		14 - 18 m ³	35 x 7 cm			EMOTEC L09	
94.4273		15,0 kW		18 - 25 m ³	35 x 9 cm			EMOTEC L09	

Subject to technical modifications