

# Power switchgear LSG 18

Casing: plastic upper and lower part  
 Dimension H/W/D: 45 x 30 x 14,2 cm  
 Connection: 400V 3N AC 50Hz  
 Art.No.: 94.4391

Power switchgear to enlarge the switching capacity from a 9kW Control unit in combination with the power switchgear to maximum 27 kW.

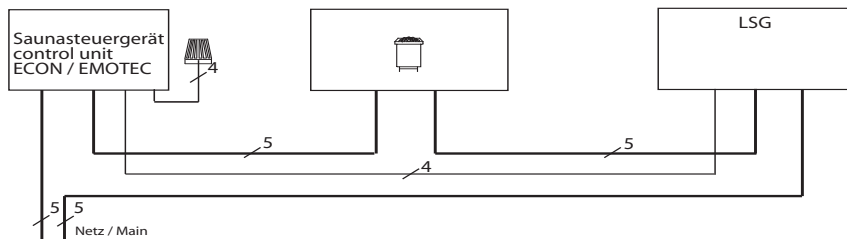
To combine with sauna control units of the Econ or Emotec line

Only to combine with 2 circuit-wiring sauna stoves. (max. 9 kW + 18 kW).



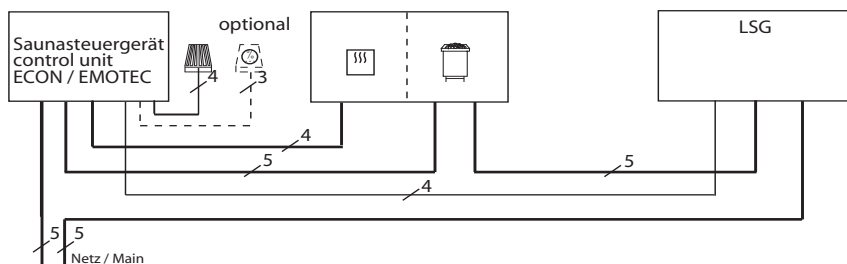
## Installation scheme

### without vaporizer

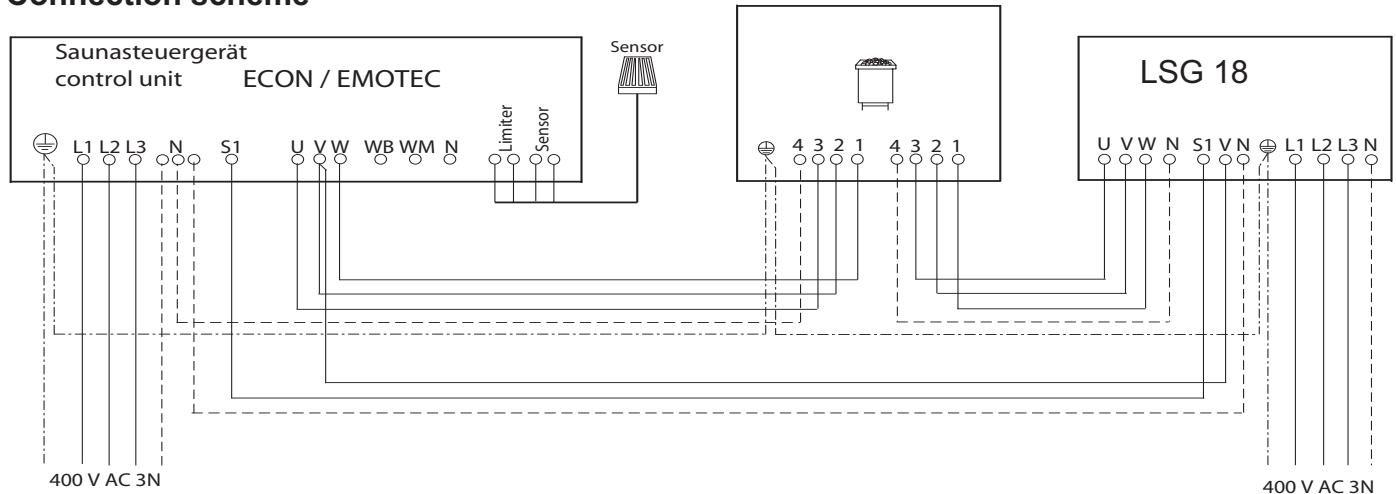


CE IP x4 AR 55  
 MADE IN GERMANY

### with max. 3 kW vaporizer



## Connection scheme



Subject to technical modifications