

# EOS

Sauna & Spa



# The Architecture of Wellness.

**PROFESSIONAL COLLECTION**

# EOS Saunatechnik

Since 1973, EOS has stood for high-quality sauna engineering developed and manufactured in Germany. Founded in 1944, the company designs and produces premium electric sauna heaters, gas-powered systems, modern sauna control units, infrared systems and steam room equipment, as well as a comprehensive range of accessories for private and commercial wellness facilities.

With 100% manufacturing in Germany and installations in more than 80 countries worldwide, EOS represents precision, performance and innovation in the international premium and luxury segment. Powerful engineering – including sauna heaters with outputs of up to 72 kW – meets sophisticated design and uncompromising quality.



# Table of contents

<b>Sauna Heaters</b>	<b>For sauna cabin size*</b>	<b>Page</b>
EOS Morpheus Pro	7 - 18 m <sup>3</sup>	8
EOS Herkules S60 / S60 Combi	9 - 25 m <sup>3</sup>	12
EOS BlackRock	14 - 35 m <sup>3</sup>	16
EOS Cubo XL	18 - 45 m <sup>3</sup>	20
EOS Orbit	24 - 45 m <sup>3</sup>	24
EOS Herkules XL S120 HD / S120 HD Combi	24 - 65 m <sup>3</sup>	28
EOS 34.G HD / 34.G Combi	18 - 75 m <sup>3</sup>	32
EOS Goliath HD	24 - 75 m <sup>3</sup>	36
EOS Zeus HD	24 - 70 m <sup>3</sup>	40
EOS Mega HD / Mega S HD	60 - 160 m <sup>3</sup>	44
<b>Concealed sauna heaters</b>		
EOS Invisio series	3 - 18 m <sup>3</sup>	48
EOS 46.U series	6 - 30 m <sup>3</sup>	52
<b>Gas-powered sauna heater-systems</b>		
KUSATEK Kusatherm	10 - 200 m <sup>3</sup> +	56

\*applies to interior sauna cabins

Errors and omissions excepted. All information provided without guarantee.

# Wellness, like clockwork.

The technical architecture behind wellness and bathing culture – this is the EOS system world. The generators create elemental sensory experiences. The control systems transform them into individually tailored, intuitive wellness.



## The control systems: touch panels, app & more

For the precise effect of the generators and their perfect interaction, the control systems are essential. The EOS control concept is designed to be fully intuitive and comprehensive: from local control via the sauna control unit to the EOS app and the EOS Cloud.

This creates a perfectly balanced overall experience. Temperature, humidity and intensity interact seamlessly and can be adjusted to the moment. From activating heat to gentle relaxation – individually tailored and reproducible at any time.

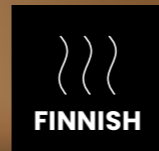
## The generators: heat, cold, steam & more

Elemental encounters: EOS products of the “generator” type – such as sauna heaters, infrared heaters and steam generators – create the fundamental stimuli of every wellness application. They generate heat, radiant warmth, steam or cold and act directly on the body.

These products form the energetic core of the sauna and wellness experience. Heat stimulates circulation and relaxes the muscles, radiant heat works deep within the body, steam nourishes the skin and supports breathing, while cold activates and revitalises. This is how energy becomes a tangible benefit – for regeneration, well-being and renewed vitality.

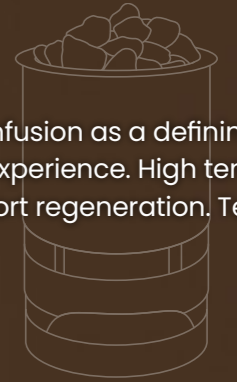


100 °C  
dry heat



### Finnish sauna

The origin of the sauna. Dry heat – intense and pure, with infusion as a defining element. All EOS sauna heaters enable this classic sauna experience. High temperatures stimulate circulation, promote blood flow and support regeneration. Tension is released, the mind clears and the body finds rest.



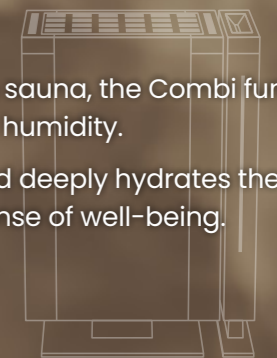
65 °C  
humid warmth



### Combi sauna

One sauna, two experiences: alongside the classic Finnish sauna, the Combi function offers a milder option with gentle heat and increased humidity.

This soft climate relaxes the body, supports circulation and deeply hydrates the skin. It promotes regeneration and creates a balanced sense of well-being.



Infrared  
radiant heat

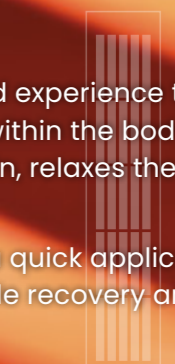


### Deep heat, instantly

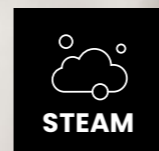
The combination of sauna and infrared creates a hybrid experience that unites different forms of heat. Infrared radiation acts directly within the body, without the need for preheating. The warmth unfolds deep within, relaxes the muscles and stimulates circulation.

Ideal for targeted regeneration, relieving tension or as a quick application in everyday life. Especially after exercise, it supports muscle recovery and helps restore performance.

Further information can be found in the catalogue: **Classic Collection.**



Steam  
humid



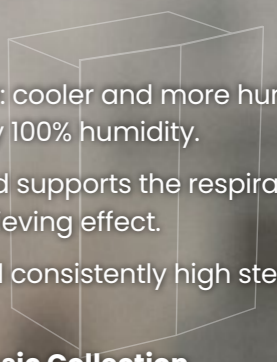
### Gentle warmth that lets you breathe

The steam bath introduces a completely different climate: cooler and more humid, with temperatures between approx. 40 to 50°C and nearly 100% humidity.

The moist warmth relaxes the body, nourishes the skin and supports the respiratory system. It is particularly gentle and creates a soothing, relieving effect.

EOS steam generators stand for reliable performance and consistently high steam quality – for a stable, uniform experience.

Further information can be found in the catalogue: **Classic Collection.**



# Modular Design for Maximum Comfort

With the EOS Morpheus, EOS introduces an innovative sauna heater designed specifically for small commercial facilities. The focus is on easy maintenance, high efficiency, and a modern, modular design that significantly reduces service and maintenance times. Operators benefit from fast servicing and noticeable cost savings during day-to-day operation.

**Easy maintenance:**  
Removable rock store.  
Servicing accessible from above.

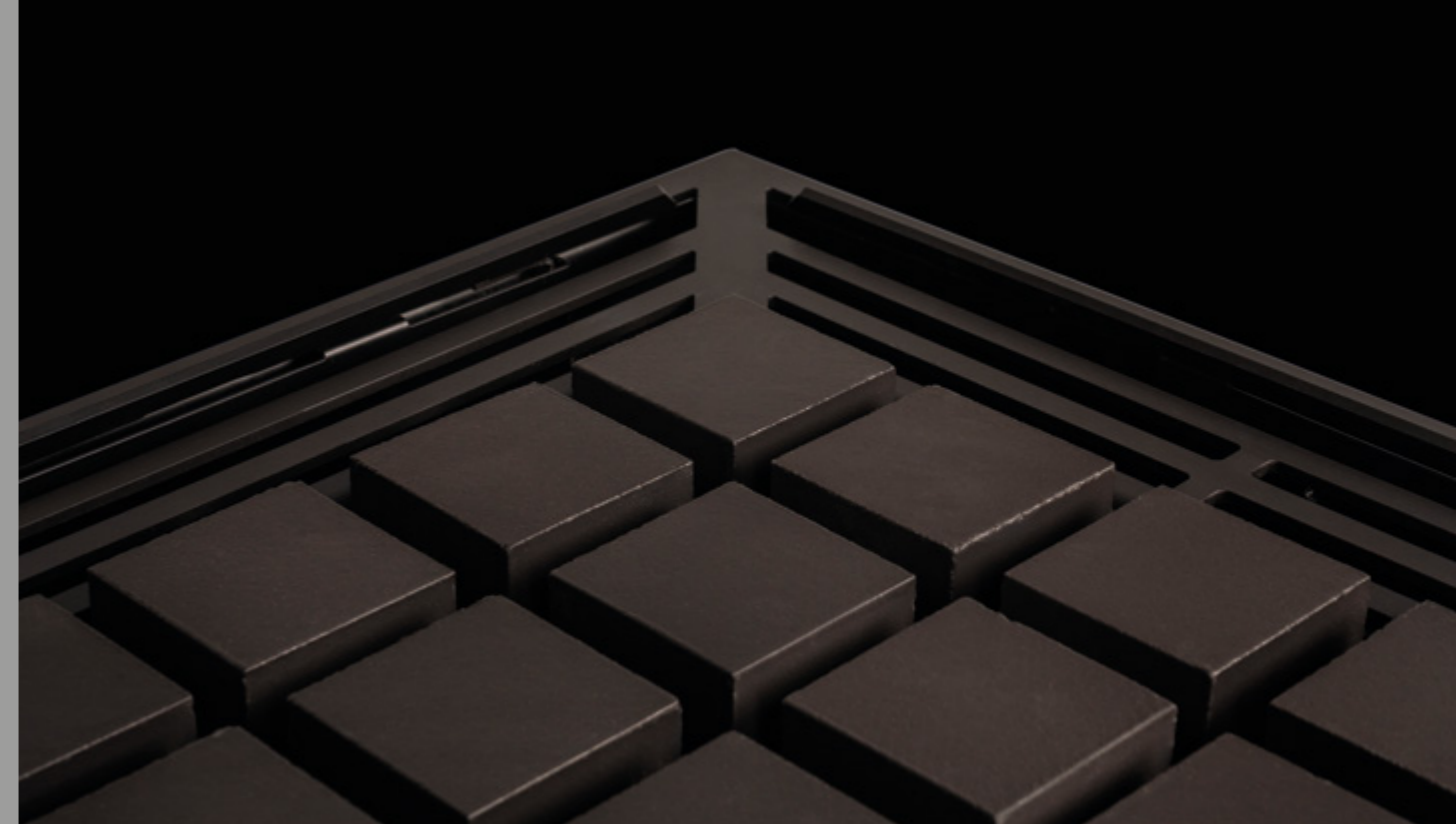
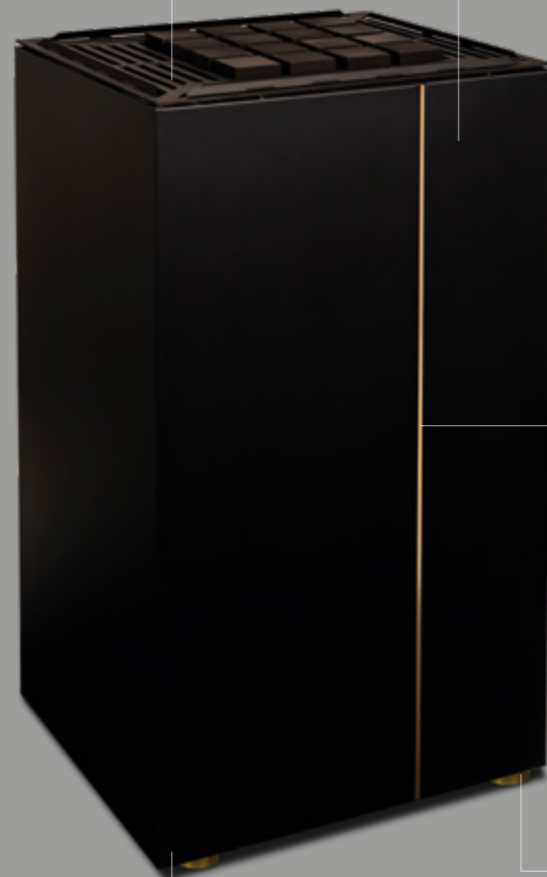
**Dual Heat®:**  
Heating register 'plug & play'.  
Rock store with special heating element.

**Model selection:**  
Option with or without gold-coloured stripe.

Special wiring upon request.

**Perfect position:**  
Adjustable feet for leveling and securing.

NEW





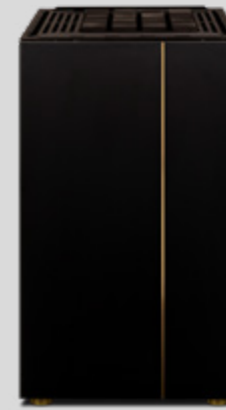
## FEATURES AND OPTIONS

- The heart of the Morpheus is a newly developed **rock store** and a new **heating element**. Both can be removed and replaced from above without any tools.
- Thanks to the **plug & play connection**, no electrician is needed to replace the heating elements. In addition, the rock store can be pre-filled, allowing for a clean and efficient on-site exchange—without making the sauna cabin dirty.
- In addition to conventional sauna stones, the EOS Morpheus also supports the exclusive **EOS Cubius stones**, available in elegant black, white and natural finishes.
- **Dual Heat® technology** for optimal sauna infusions: A true comfort feature is the **separately connected 1.0 kW heating element**. It extends into a rock store insert, ensuring that the sauna stones remain hot at all times – even after the main heating element has switched off once the room temperature is reached. This Dual Heat® technology noticeably enhances the quality of sauna infusions and provides a consistently enjoyable sauna experience.

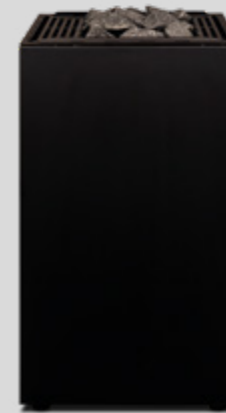
## ACCESSORIES

- 1 Optionally available with diabase, vulcanite, or white quartz sauna stones.
- 2 Full potential: With the **EOS U-Command** with **Wi-Fi and cloud connectivity**, your sauna becomes smart.
- 3 For more intense sauna sessions, we recommend the **sauna infusion set**, consisting of a sauna bucket and a matching ladle.

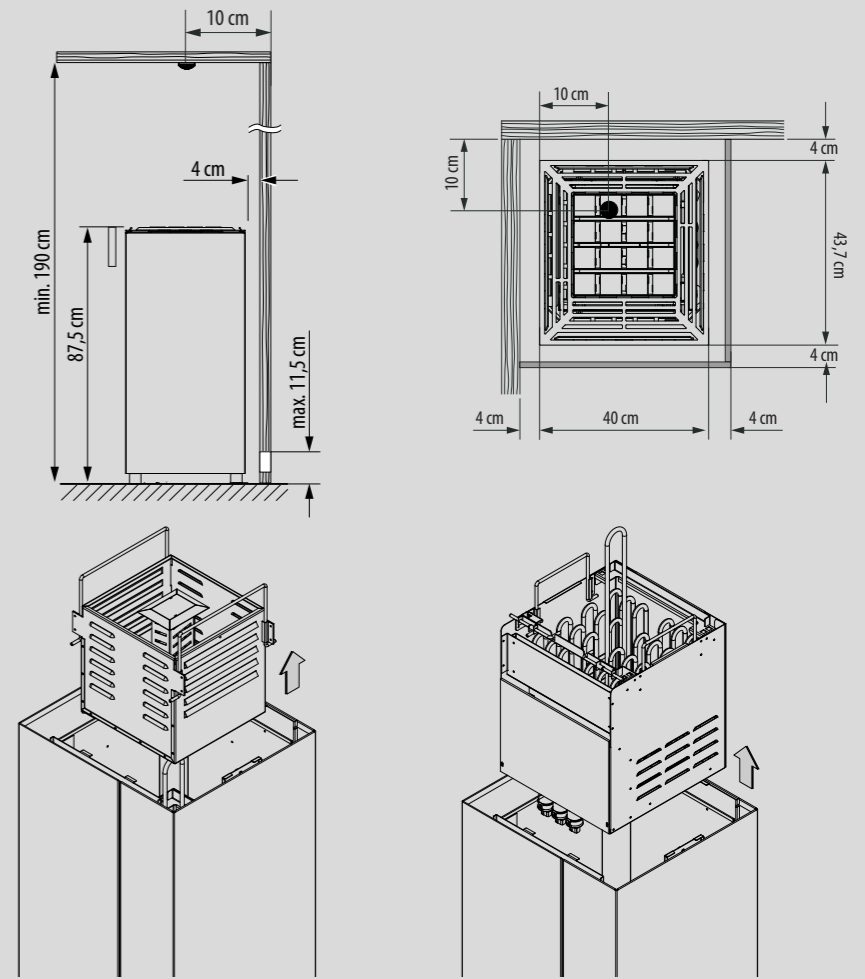
## EOS MORPHEUS PRO



**Black Brass** model with EOS Cubius sauna stones



**Black** model

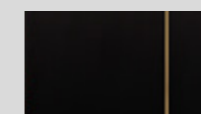


## TECHNICAL SPECIFICATIONS

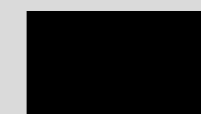
Power output + Dual Heat®	Electrical connection	Dimensions H/W/D, in cm	For sauna cabin size*	Stone filling
6.0 kW + 1.0 kW	400 V 3N ~ 50/60 Hz	87.6 / 43.7 / 40	7 – 10 m³	~ 25 kg
8.0 kW + 1.0 kW			9 – 14 m³	
10.0 kW + 1.0 kW			11 – 15 m³	
12.0 kW + 1.0 kW			14 – 18 m³	

\*applies to interior sauna cabins

## OUTER SHELL



**Black**  
with brass



**Black**



**Customized finish**  
upon request

EOS HERKULES S60 / S60 COMBI

# Powerful Sauna Heater with an Extra-Large Stone Volume

The EOS Herkules S60 impresses with an extra-large stone capacity of 60 kg, allowing for particularly intense sauna infusions and a stable sauna temperature. Brushed stainless steel, side panels in anthracite pearl effect, and Abachi wood protection give the heater a premium appearance. In the Combi version, an integrated vaporizer with a herbal tray provides additional sauna and steam experiences.

**Exklusive design:**

Brushed stainless steel front with decorative wooden strip. Durable, long-lasting construction, all made of stainless steel.

**Powerful sauna infusions:**

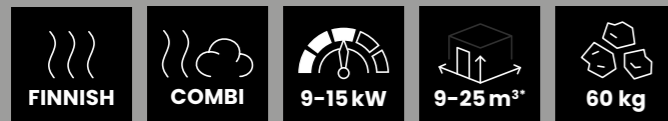
Large 60 kg rock store for optimal heat storage and effective water evaporation.

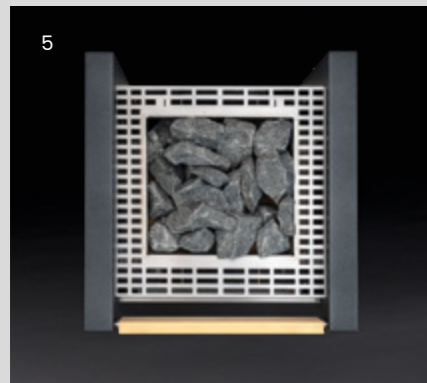
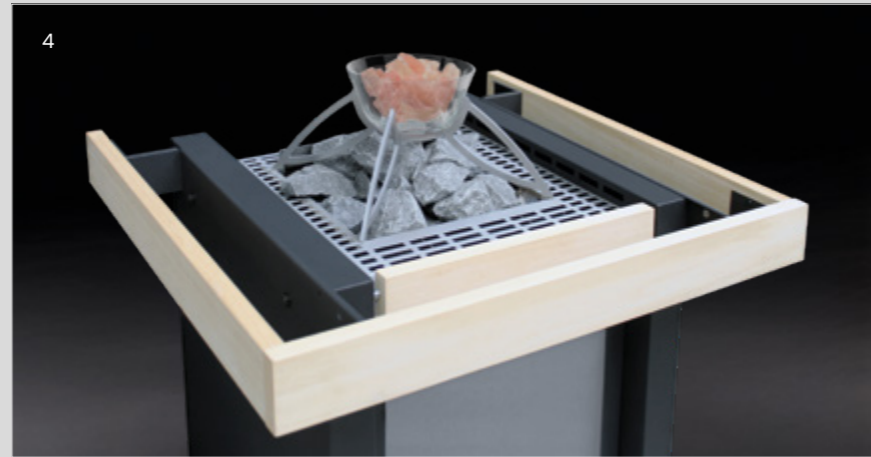
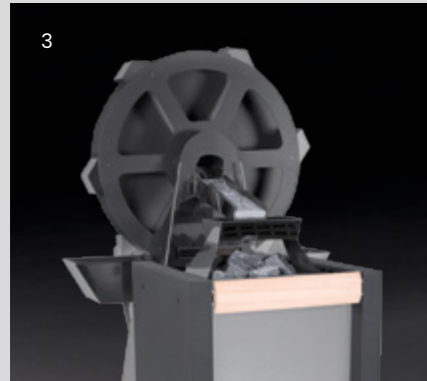


Special wiring upon request.

**Easy to service:**

Heating elements can be replaced without removing the sauna stones.  
Rock store above heating elements.



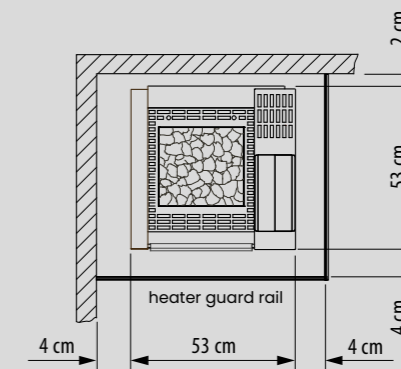
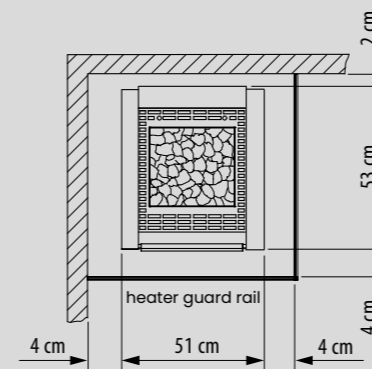


## EOS HERKULES S60 / S60 COMBI

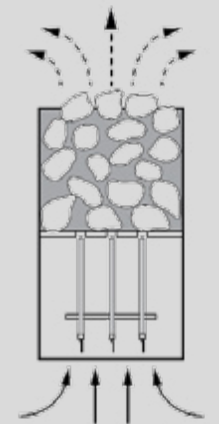


**EOS HERKULES S60**  
Finnish sauna heater

**EOS HERKULES S60 COMBI**  
Combi sauna heater



**Sauna stones and heating elements**



Minimal inner sauna cabin height 190 cm.

Minimal inner sauna cabin height 190 cm.

### FEATURES AND OPTIONS

- 1 The elegant design is perfectly complemented by the included Abachi **wooden strip**.
- 2 The **Combi variant** is additionally equipped with an integrated vaporizer. Includes a holder for herbs and oils. Manual filling (approx. 8 liters). Integrated dry-run protection with level indication and acoustic alarm.
- 3 Spectacular **Watermill** system: The watermill wheel (available separately) creates a precisely controlled sauna infusion experience with an event-like flair in the sauna. It rotates slowly, changes direction automatically upon a signal, and directs water precisely to the cascade, producing powerful infusions. The water wheel includes the drive, control unit, and automatic water supply.
- 4 The optional **heater guard rail** enhances safety, ensuring a relaxed and safe sauna experience. Made from high-quality woods, with the option for custom designs thanks to individually available mounting brackets.
- 5 Thanks to the **60 kg large rock store**, EOS Herkules S60 models offer an exceptional heat storage and powerful steam shocks.

### ACCESSORIES

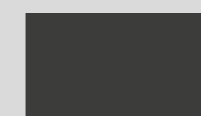
- 1 Optionally available with diabase, vulcanite, or white quartz sauna stones.
- 2 Full potential: With the **EOS U-Command** with **Wi-Fi and cloud connectivity**, your sauna becomes smart.
- 3 For more intense sauna sessions, we recommend the **sauna infusion set**, consisting of a sauna bucket and a matching ladle.
- 4 The **Scent Trophy** is an elegant design upgrade for your sauna, featuring special heat-resistant quartz glass—ideal for herbal baths, aroma infusions, or salt inhalation.

### TECHNICAL SPECIFICATIONS

Power output	Vaporizer (Combi)	Electrical connection	Dimensions H/W/D, in cm	For sauna cabin size*	Weight without rocks	Stone filling
9 kW	2,0 kW	400 V 3N ~ 50/60 Hz	85 / 51 / 53 (S60)	9 - 14 m <sup>3</sup>	~ 28 kg (S60)	~ 60 kg
12 kW			85 / 53 / 53 (S60 Combi)	14 - 18 m <sup>3</sup>	~ 53 kg (S60 Combi)	
15 kW				18 - 25 m <sup>3</sup>		

\*applies to interior sauna cabins

### OUTER SHELL



Anthracite



Matt black



Customized finish upon request

EOS BLACKROCK / BLACKROCK VAPOR

# Sauna Heater with a Square Footprint

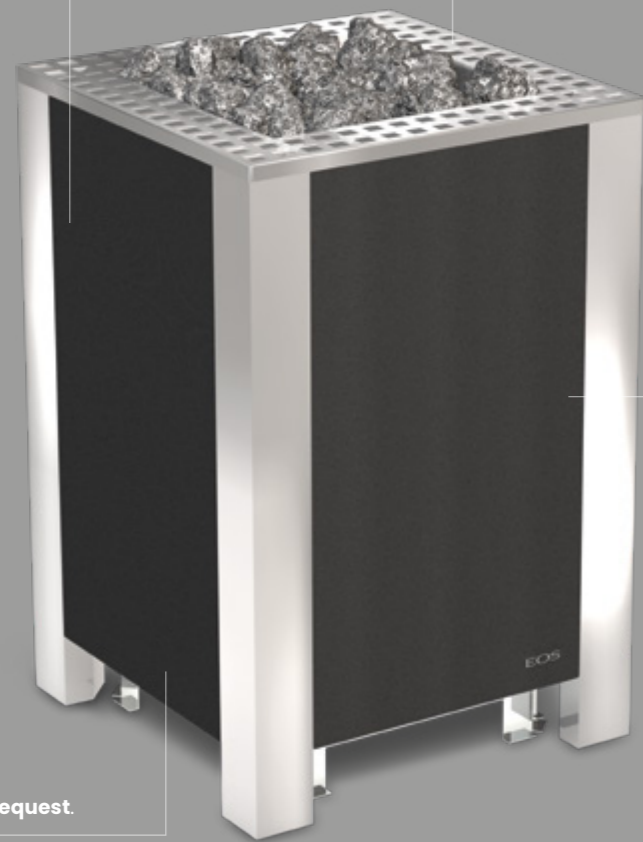
The EOS BlackRock impresses with its sleek, consistent design, square footprint and uniform appearance on all sides, making it ideal for placement in front of glass panels or in the center of the cabin. Its robust stainless steel construction with large side air channels ensures optimal air convection. An optional external vaporizer for humid Combi sauna operation can be retrofitted, allowing for flexible climate options.

**360° Look:**

No typical rear side - ideal for installation in front of glass panels or by central position. Cable connection on the bottom.

**Durable heating system:**

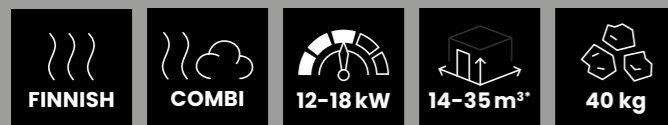
Robust, reinforced construction made of stainless steel with extra large side channels for stable air convection.



**High-contrast design:**

with side panels with anthracite finish and corners made of polished stainless steel.

Special wiring upon request.



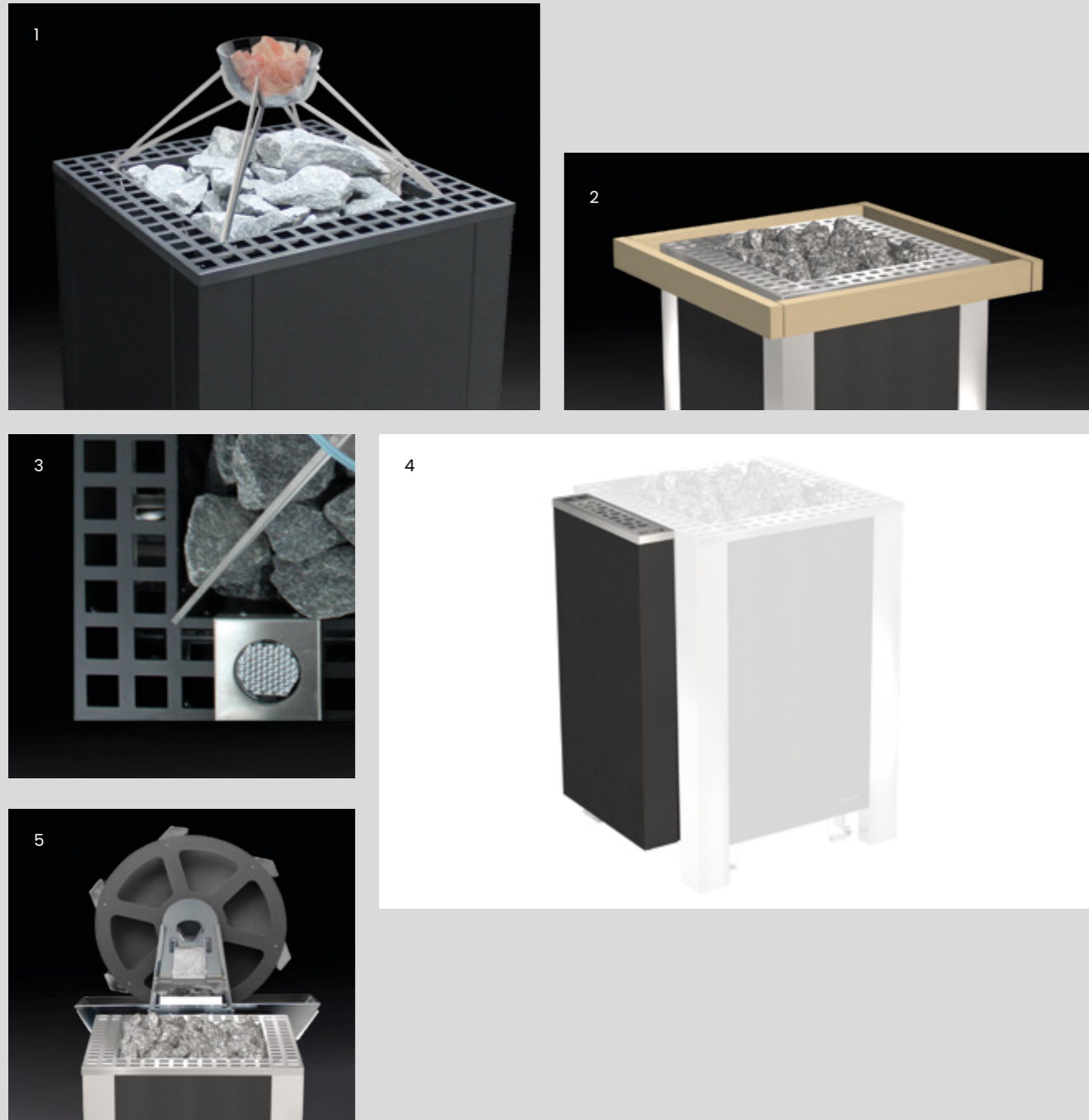
Smeigedag Sauna



Fritz HOLTEN GmbH



Sauna-Bau Karl Jockers GmbH



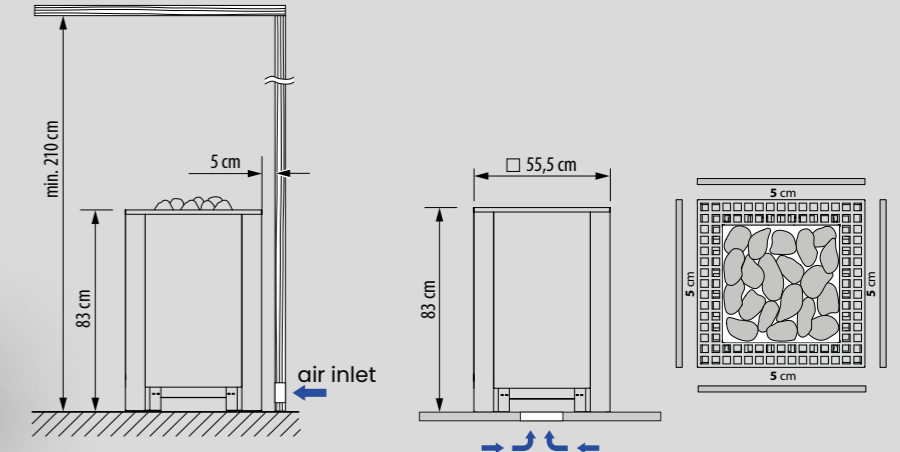
## FEATURES AND OPTIONS

- 1 Designer essence bowl **EOS Scent Trophy S** for an aromatic sauna experience— e.g. herbal baths, aroma infusions, or salt inhalation optionally available.
- 2 The optional **heater guard rail** enhances safety, ensuring a relaxed and safe sauna experience. Made from high-quality woods, with the option for custom designs thanks to individually available mounting brackets.
- 3 Optional **EOSafe L** safety system ensures safety in your sauna.
- 4 Optional external **3 kW vaporizer** for a flexible sauna climate settings ranging from hot and dry to mild and humid. Maximum design flexibility: the vaporizer can be easily mounted on the left, right, or front. Can be retrofitted on site.\*\*
- 5 Spectacular **Watermill** system: The watermill wheel (available separately) creates a precisely controlled sauna infusion experience with an event-like flair in the sauna. It rotates slowly, changes direction automatically upon a signal, and directs water precisely to the cascade, producing powerful infusions. The water wheel includes the drive, control unit, and automatic water supply.

## ACCESSORIES

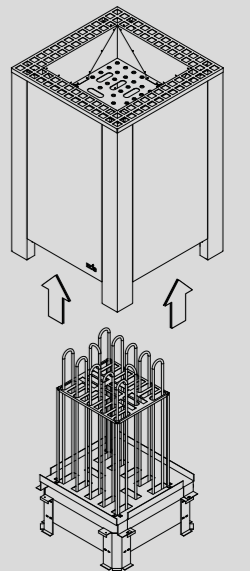
- 1 Optionally available with diabase, vulcanite, or white quartz sauna stones.
- 2 Full potential: With the **EOS U-Command** with **Wi-Fi and cloud connectivity**, your sauna becomes smart.
- 3 For more intense sauna sessions, we recommend the **sauna infusion set**, consisting of a sauna bucket and a matching ladle.
- 4 The **Scent Trophy** is an elegant design upgrade for your sauna, featuring special heat-resistant quartz glass— ideal for herbal baths, aroma infusions, or salt inhalation.

## EOS BLACKROCK / BLACKROCK VAPOR

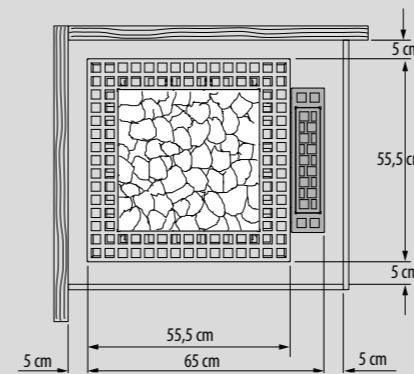


**!** By installations in the middle of the sauna or in front of a glass wall, make sure to provide a sufficient air supply through an underfloor channel!

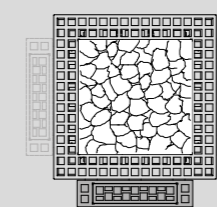
## Heating elements



## Vaporizer



## Rear / Connection Side



**!** Only one vaporizer may be mounted on the sauna heater. Installation is possible on the left, right, or front side of the heater (not on the rear/connection side).

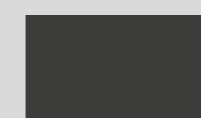
## TECHNICAL SPECIFICATIONS

Power output	Vaporizer (optional)	Electrical connection	Dimensions H/W/D, in cm	For sauna cabin size*	Weight without rocks	Stone filling
12 kW	3,0 kW	400 V 3N ~ 50/60 Hz (Sauna heater)	83 / 55,5 / 55,5 (Sauna heater)	14 -18 m <sup>3</sup>	~ 40 kg	~ 40 kg
15 kW				18 -28 m <sup>3</sup>		
18 kW				24 -35 m <sup>3</sup>		

\*applies to interior sauna cabins

\*\* When retrofitting with a vaporizer, the corresponding control unit must be used.

## OUTER SHELL



Anthracite



Matt black



Customized finish upon request

EOS CUBO XL

# Stylish Design for Professional Sauna Experiences

The Cubo XL combines modern design with powerful performance for commercial use. Its elegant brushed stainless steel cover and high-quality anthracite pearl effect or matt black finish create a refined, all-around look. With approximately 60 kg of sauna stones, it delivers intense sauna infusions, while the service-friendly design allows heating elements to be replaced without removing the stones.

**Uniform appearance:**

Ideal for position in the center of the sauna or in front of glass surfaces.

**Easy to service:**

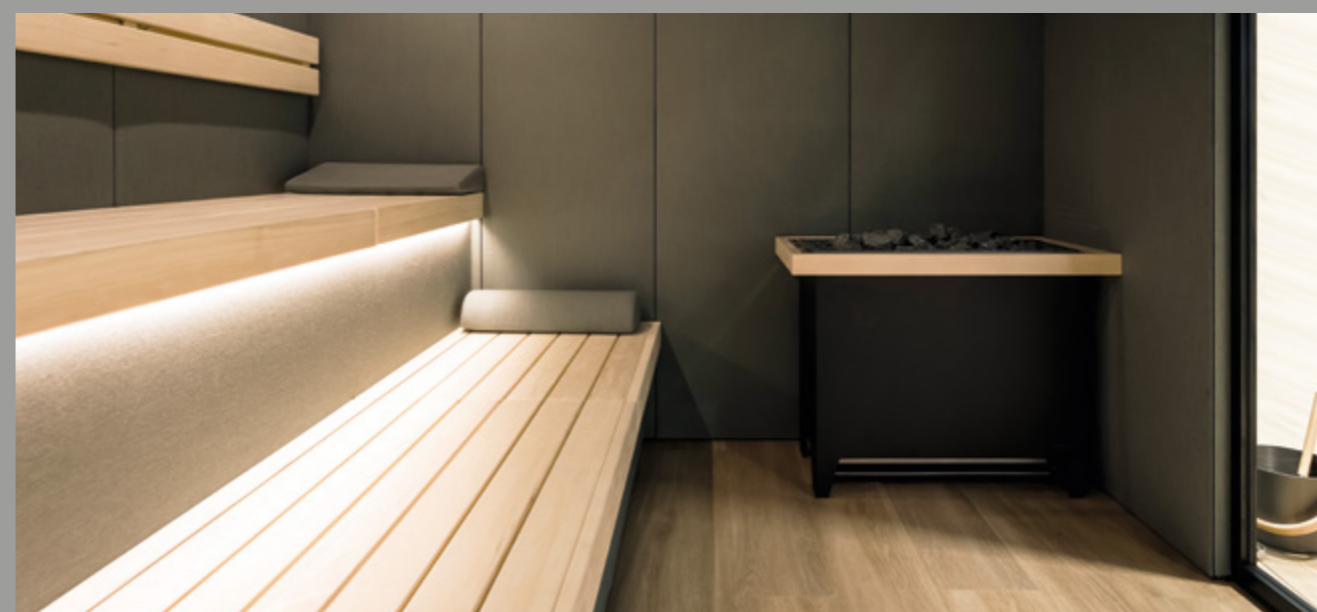
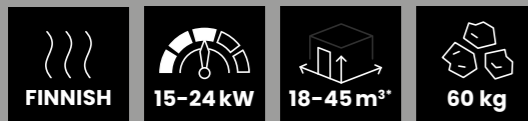
No contact between heating elements and stones, replacement of heating elements without stone removal possible. Optimized air convection and rock store volume for effective heat-up times and powerful sauna infusions.

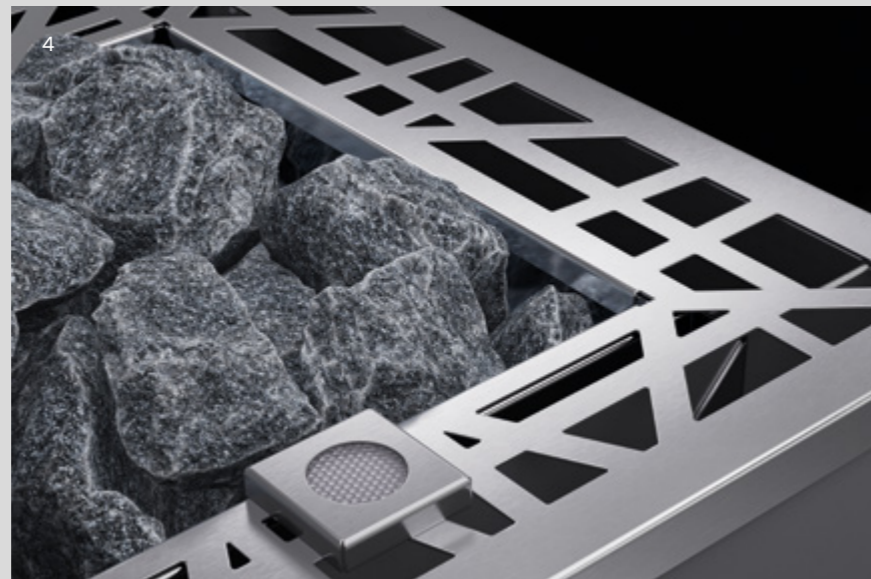
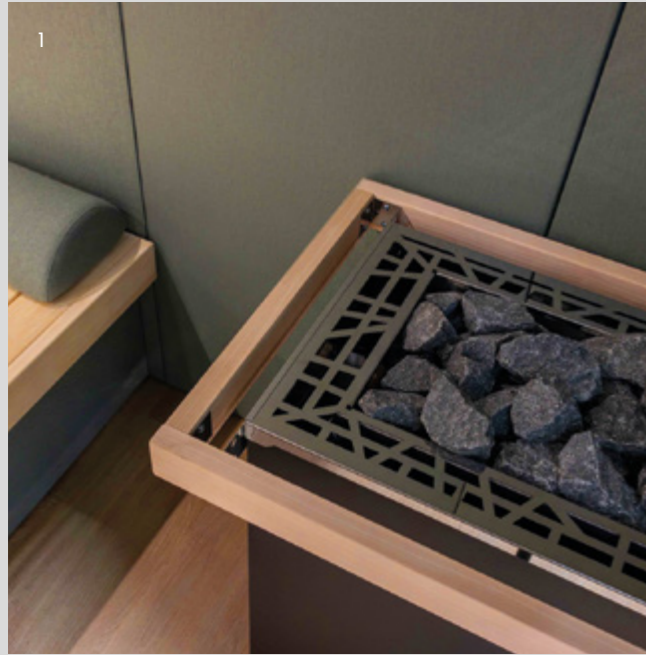
NEW



Special wiring upon request.

Included water drop pan: catches up non vaporated liquid.





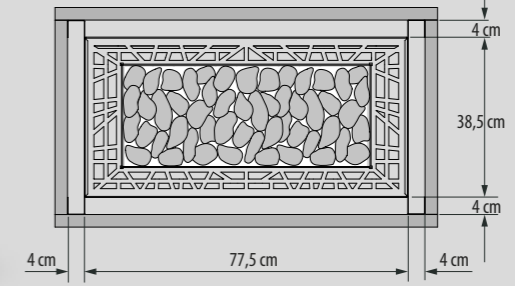
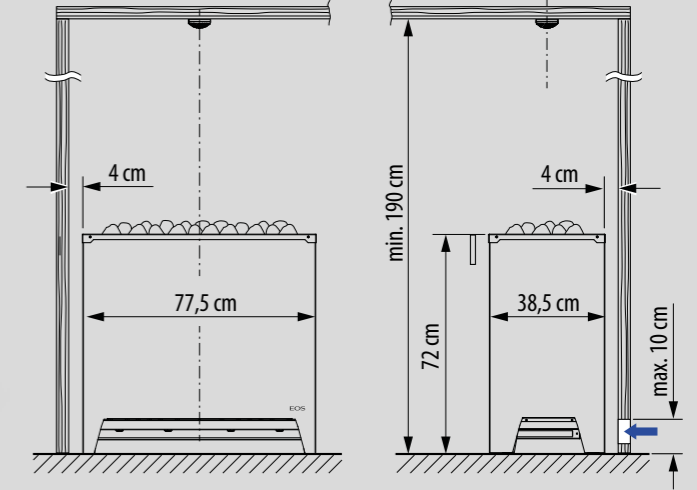
## FEATURES AND OPTIONS

- 1 Robust and  **durable construction**  with an elegant stainless steel cover and a compact,  **space-saving size**  – only 38.5 cm depth.
- 2 The optional  **heater guard rail**  enhances safety, ensuring a relaxed and safe sauna experience. Made from high-quality woods, with the option for custom designs thanks to individually available mounting brackets.
- 3  **Includes a rear wall cover panel**  in the same colour as the outer shell. Ideal for position in the center of the sauna or in front of glass surfaces.
- 4 Rock store with approx. 60 kg stone volume for intensive sauna infusions. Optional  **EOSafe L**  safety system ensures safety in your sauna.

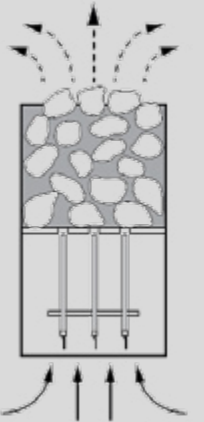
## ACCESSORIES

- 1 Optionally available with diabase, vulcanite, or white quartz sauna stones.
- 2 Full potential: With the  **EOS U-Command**  with  **Wi-Fi and cloud connectivity** , your sauna becomes smart.
- 3 For more intense sauna sessions, we recommend the  **sauna infusion set** , consisting of a sauna bucket and a matching ladle.

## EOS CUBO XL



## Sauna stones and heating elements

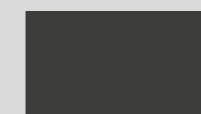


## TECHNICAL SPECIFICATIONS

Power output	Electrical connection	Dimensions H/W/D, in cm	For sauna cabin size*	Weight without rocks	Stone filling
15 kW	400 V 3N ~ 50/60 Hz	72 / 77,5 / 38,5	18 - 25 m <sup>3</sup>	~ 47,5 kg	~ 60 kg
18 kW			24 - 30 m <sup>3</sup>		
20 kW			24 - 34 m <sup>3</sup>		
24 kW			35 - 45 m <sup>3</sup>		

\*applies to interior sauna cabins

## OUTER SHELL



Anthracite



Matt black



Customized finish  
upon request

## EOS ORBIT

# Timeless, Classic, Round Design

The EOS Orbit impresses with its sleek, round design, becoming the stylish centerpiece of any sauna. Innovative V-shape profiles allow for intense sauna infusions with complete evaporation, while the separately positioned rock store ensures optimal air convection and long-lasting durability.

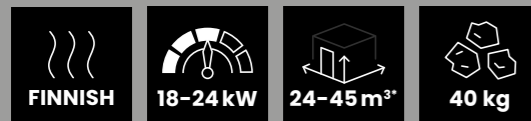
**Heater guard rail:**  
Optional 360° or 270° guard rail made of high-quality wood types.

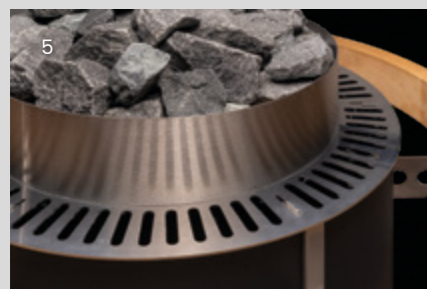
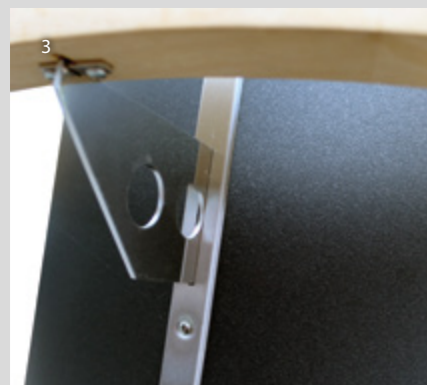
**Powerful sauna infusions:**  
Unique V-shape profiles in two layers ensure effective and complete evaporation during the infusion.

**Easy maintenance:**  
Heating elements can be replaced without removing the sauna stones. No contact between sauna stones and heating elements for improved heating performance and longer service life of heating elements.

Special wiring upon request.

**Invisible cable connection at the bottom:**  
ideal for installations in the center of the sauna.





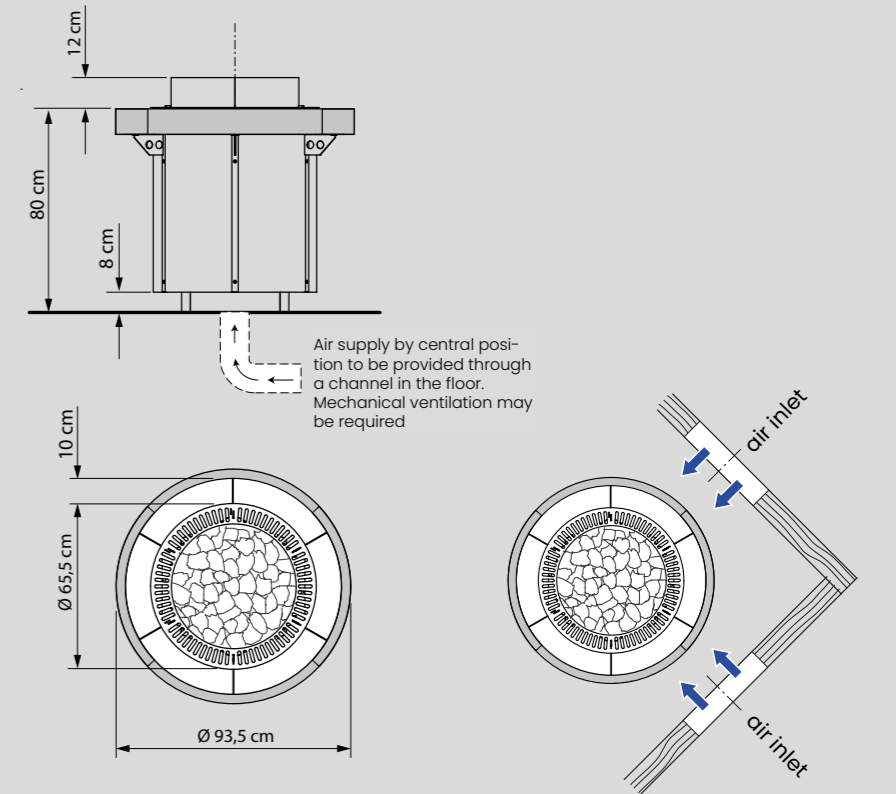
## FEATURES AND OPTIONS

- 1 Upon request also available with red-brown powder coating in „Rust Marble“.
- 2 Unique V-shape profiles in two layers ensure effective and complete evaporation during the infusion.
- 3 Guard rail brackets (**removable**) are already **preassembled** on the heater.
- 4 The optional **heater guard rail** enhances safety, ensuring a relaxed and safe sauna experience. Available in 360° or 270°, made from high-quality woods, with the option for custom designs thanks to individually available mounting brackets.
- 5 Rock store with approx. **40 kg stone volume** ensures powerful sauna infusions and high temperature stability.

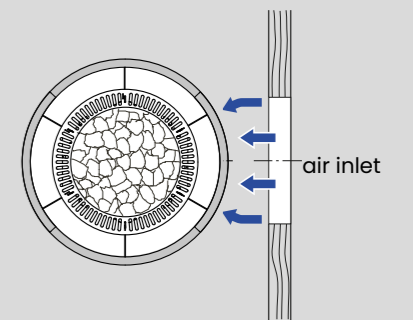
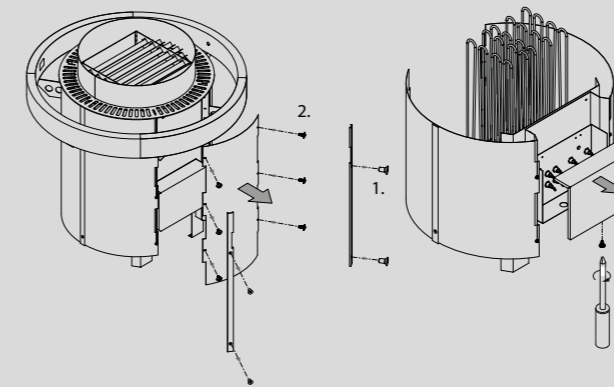
## ACCESSORIES

- 1 Optionally available with diabase, vulcanite, or white quartz sauna stones.
- 2 Full potential: With the **EOS U-Command** with **Wi-Fi and cloud connectivity**, your sauna becomes smart.
- 3 For more intense sauna sessions, we recommend the **sauna infusion set**, consisting of a sauna bucket and a matching ladle.

## EOS ORBIT



## Heating elements



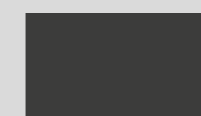
**⚠** If the heater is positioned in front of a wall, ensure that the air supply comes from the side!  
For detailed information, see the user manual

## TECHNICAL SPECIFICATIONS

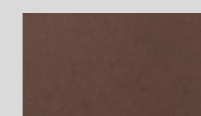
Power output	Electrical connection	Dimensions H/W/D, in cm	For sauna cabin size*	Weight without rocks	Stone filling
18 kW	400 V 3N ~ 50/60 Hz	Ø 65,5 x 92	24 - 30 m <sup>3</sup>	~ 55 kg	~ 40 kg
21 kW			30 - 34 m <sup>3</sup>		
24 kW			35 - 45 m <sup>3</sup>		

\*applies to interior sauna cabins

## OUTER SHELL



Anthracite



Rust Marble upon request



Customized finish upon request

EOS HERKULES XL S120 HD / HD COMBI

# Timeless Design with Two Rock Stores

The EOS Herkules XL S120 HD series combines timeless design with maximum sauna infusion versatility: two rock stores, each holding 60 kg of sauna stones, allow for sauna infusions from both the right and left sides, while the integrated stainless steel bowl for fragrance essences perfects the sauna experience.

**Elegant Design:**

With decorative wooden strip and stainless steel essence holder for herbs and oils.

**Double sauna infusions, double the pleasure:**

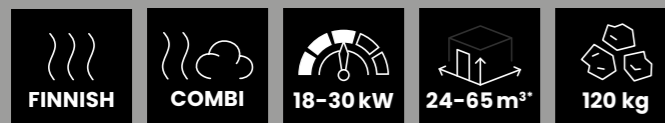
120 kg stone volume: two rock stores with 60 kg volume each. Sauna infusions possible on the left and right side.



**Copper busbars as standard inner wiring:** Special "heavy-duty" inner wiring for even more durability, long-lasting service and particularly intensive commercial use.

Special wiring upon request.

**Included water drop pan:** catches up non vaporated liquid.





## FEATURES AND OPTIONS

- Two separate rock stores** with up to 120 kg stones ensure an excellent temperature stability and heat storage capacity.
- Combi Model** is additionally equipped with a built-in 3 - 4 kW vaporizer placed in the middle between both rock stores. The vaporizer is equipped with an automatic refilling (integrated top-up device) for convenience in use. Manual filling (approx. 5 liters). Integrated dry-run protection with acoustic alarm.
- Extensive accessories** such as:
  - Cover protection rail
  - Deco rear wall cover
  - Heater guard rail
- Optional **Herkules Fragrance** vaporizer dish arrangements enhance the premium experience, featuring an integrated water supply. It is designed to be filled with water and, if necessary, any doses of sauna infusion preparations or essential oils.

## ACCESSORIES

- Optionally available with diabase, vulcanite, or white quartz sauna stones.
- Full potential: With the **EOS U-Command** with **Wi-Fi and cloud connectivity**, your sauna becomes smart.
- For more intense sauna sessions, we recommend the **sauna infusion set**, consisting of a sauna bucket and a matching ladle.

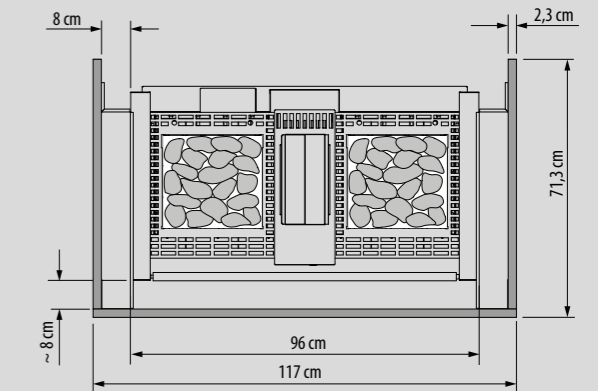
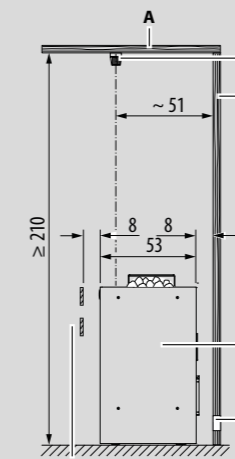
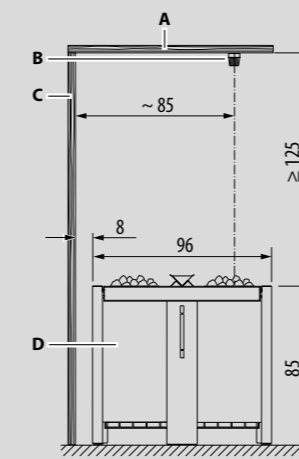
## EOS HERKULES XL S120 HD / HD COMBI



**EOS HERKULES XL S120 HD**  
Finnish sauna heater

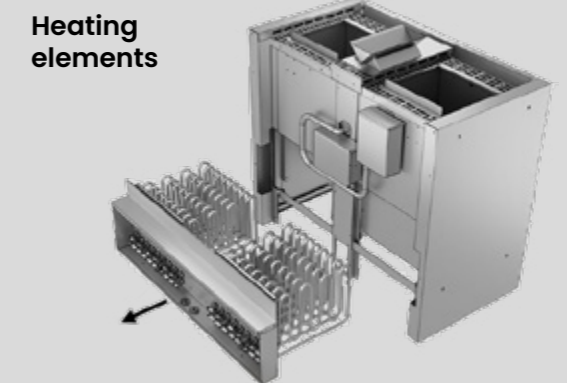


**EOS HERKULES XL S120 HD Combi**  
Combi sauna heater



- A. Sauna ceiling
- B. Temperature sensor
- C. Side wall
- D. Sauna heater
- E. Fresh air inlet
- F. Heater guard rail

Notice: Fresh air inlet with proper size must be provided either behind or under the heater as an air channel.

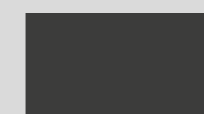


## TECHNICAL SPECIFICATIONS

Power output	Vaporizer (Combi)	Electrical connection	Dimensions H/W/D, in cm	For sauna cabin size*	Weight without rocks	Stone filling
18 kW	3,0 kW	400 V 3N ~ 50/60 Hz	85 / 96 / 53	24 - 35 m <sup>3</sup>	85 kg	2 × 60 kg
21 kW	4,0 kW			35 - 45 m <sup>3</sup>		
24 kW				45 - 65 m <sup>3</sup>		

\*applies to interior sauna cabins

## OUTER SHELL



Anthracite



Matt black



Customized finish upon request

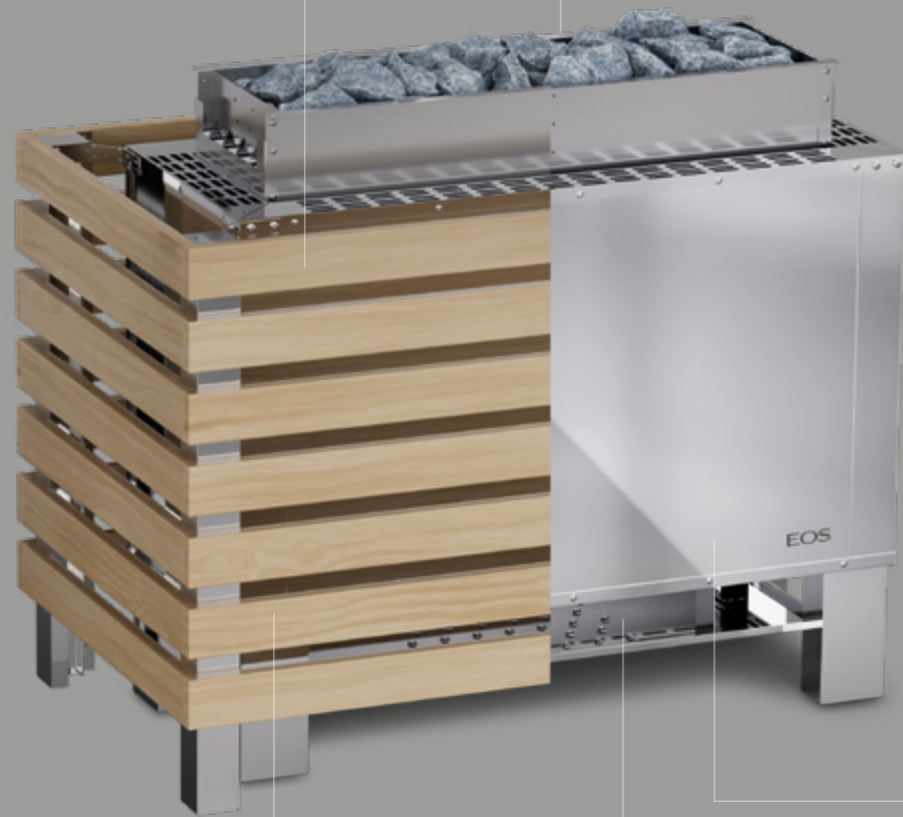
EOS 34.G HD / 34.G COMBI

# Engineered for Demanding Installation Environments

The EOS 34.G HD impresses with its extra-strong stainless steel construction and robust engineering for intensive commercial use. Large air vents and an optimally positioned rock store ensure fast heat-up times and perfect air convection, while V-shape profiles serve as a collecting tray for the sauna infusion water. They also feature a perforated drip tray for better airflow. The Combi model, equipped with a vaporizer, makes it the ideal choice for demanding sauna environments.

**Safe sauna experience:**  
Frame rack for heater guard rail optional.

**Durable construction:**  
Exceptionally robust construction, completely made of stainless steel. Optimal relation between stone volume and air convection system for fast heat-up times and powerful sauna infusions.



Special wiring upon request.

**Copper busbars as standard inner wiring:**  
for particularly intensive commercial use and demanding installation conditions.

**Included water drop pan:**  
catches up non vaporated liquid. V-shape profiles serve as a collecting tray for the sauna infusion water. They also feature a perforated drip tray for better airflow.



Kristall-Therme Ludwigsfelde



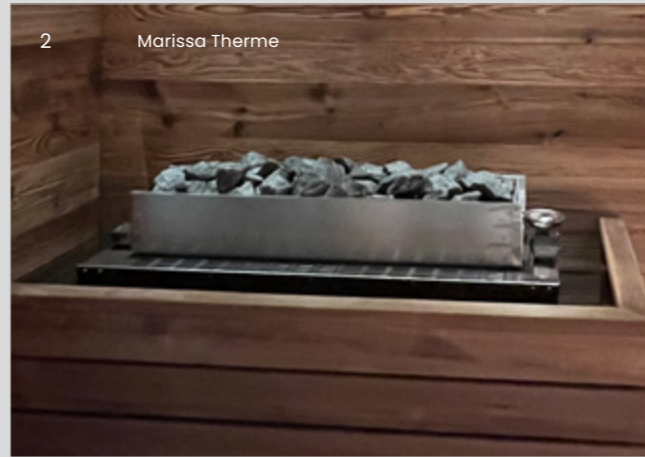
Pierer Gastronomie GmbH, Design: Starpool S.r.l.



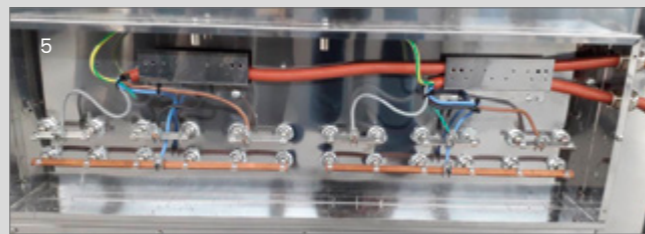
Pałac Saturna Termy Rzymskie



1 Hotel Guglwald



2 Marissa Therme



6 Marissa Therme

### FEATURES AND OPTIONS

- 1 Spectacular **Watermill** system: The watermill wheel (available separately) creates a precisely controlled sauna infusion experience with an event-like flair in the sauna. It rotates slowly, changes direction automatically upon a signal, and directs water precisely to the cascade, producing powerful infusions. The water wheel includes the drive, control unit, and automatic water supply.
- 2 **EOS 34.G Combi** with vaporizer (automatic filling optional), dry-run protection with acoustic alarm and essences cupholder at the steam output.
- 3 Features a **perforated drip tray** for better airflow.
- 4 Optional **Aroma tray** for more variety and a completely relaxed sauna experience.
- 5 **Copper busbars as standard inner wiring (34.G HD)**: for particularly intensive commercial use and demanding installation conditions.
- 6 With an optional **stack frame** you can increase the stone volume by 30–45 kg.

### ACCESSORIES

- 1 Optionally available with diabase, vulcanite, or white quartz sauna stones.
- 2 Full potential: With the **EOS U-Command** with **Wi-Fi and cloud connectivity**, your sauna becomes smart.
- 3 For more intense sauna sessions, we recommend the **sauna infusion set**, consisting of a sauna bucket and a matching ladle.

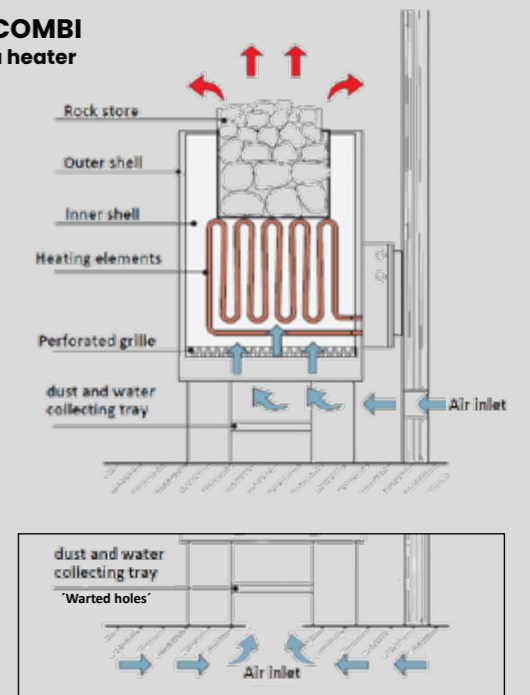
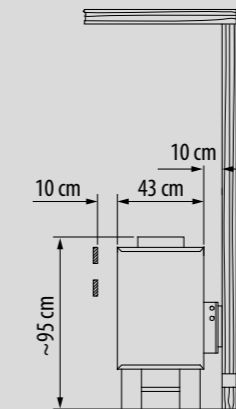
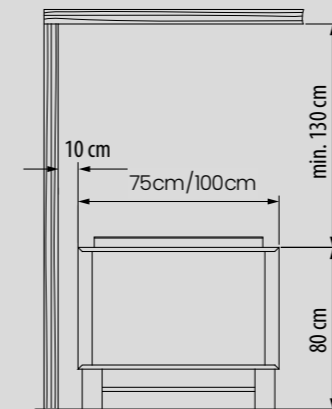
## EOS 34.G HD / 34.G COMBI



**EOS 34.G HD**  
Finnish sauna heater



**EOS 34.G COMBI**  
Combi sauna heater

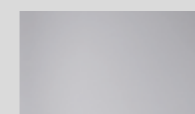


### TECHNICAL SPECIFICATIONS

Power output	Vaporizer (Combi)	Electrical connection	Dimensions H/W/D, in cm	For sauna cabin size*	Weight without rocks	Stone filling	
15 kW	3,0 kW 5 l	400 V 3N ~ 50/60 Hz	95 / 75 / 53	18 - 25 m <sup>3</sup>	48 kg	~ 30 kg	
18 kW				24 - 30 m <sup>3</sup>	49 kg		
21 kW				24 - 34 m <sup>3</sup>	50 kg		
24 kW	2x 2,0 kW 10 l		400 V 3N ~ 50/60 Hz	95 / 100 / 53	35 - 40 m <sup>3</sup>	61,5 kg	~ 45 kg
27 kW					40 - 50 m <sup>3</sup>	62,5 kg	
30 kW					50 - 65 m <sup>3</sup>	63,5 kg	
36 kW		65 - 75 m <sup>3</sup>			65,5 kg		

\*applies to interior sauna cabins

### OUTER SHELL



Stainless steel



Customized finish  
upon request

## EOS GOLIATH HD

# Contemporary Construction Meets Reliable High Performance

The EOS Goliath HD sauna heater combines modern design with maximum performance for demanding Finnish saunas. Fully made of stainless steel, it features an extra-large rock store and optimized air convection for fast heat-up times. The durable high-performance heating elements and "heavy-duty" copper wiring ensure intensive commercial use with minimal maintenance.

### For powerful sauna infusions:

Unique warded holes ensure optimal evaporation during sauna infusions while maintaining stable air convection.

### Reinforced construction:

Extra-large 75 kg stainless steel rock store, separated from the heating elements, ensures optimal air convection and guarantees a long service life for the heating rods.



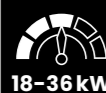
Special wiring upon request.

Included water drop pan:  
catches up non vaporated liquid.

Copper busbars as standard inner wiring:  
Special "heavy-duty" inner wiring for even more durability,  
long-lasting service and particularly intensive commercial use.



FINNISH



18-36 kW



24-75 m³



75 kg



Hotel Forsthofgut GmbH & Co. KG



Kristall-Therme Ludwigsfelde



Bad & Wellness Aps



## FEATURES AND OPTIONS

- 1 Spectacular **Watermill** system: The watermill wheel (available separately) creates a precisely controlled sauna infusion experience with an event-like flair in the sauna. It rotates slowly, changes direction automatically upon a signal, and directs water precisely to the cascade, producing powerful infusions. The water wheel includes the drive, control unit, and automatic water supply.
- 2 If an object is placed on the optional **cover protection rail** (e.g. forgotten towel), the rail will bend down and the heater may not start or the heating will be interrupted. The software tolerates brief interruptions of up to 6 seconds (e.g. during sauna infusions), after which the heater automatically resumes operation. Longer interruptions prevent an automatic restart.
- 3 Optional **EOSafe L** safety system ensures safety in your sauna.
- 4 The optional **heater guard rail** enhances safety, ensuring a relaxed and safe sauna experience. Made from high-quality woods, with the option for custom designs thanks to individually available mounting brackets. The optional **aroma tray** ensures more variety and a completely relaxed sauna experience.
- 5 With an optional **stack frame** you can increase the stone volume by 25 kg.

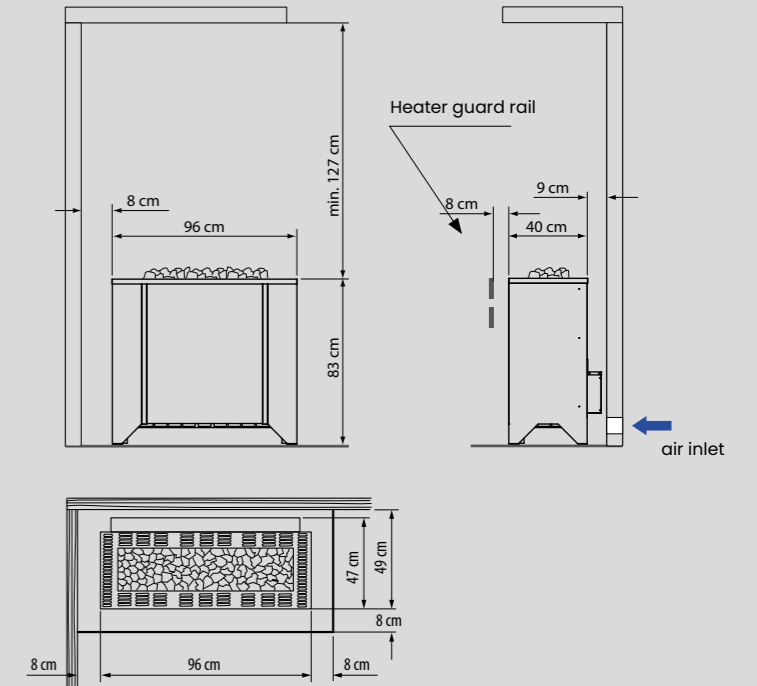
## ACCESSORIES

- 1 Optionally available with diabase, vulcanite, or white quartz sauna stones.
- 2 Full potential: With the **EOS U-Command** with **Wi-Fi and cloud connectivity**, your sauna becomes smart.
- 3 For more intense sauna sessions, we recommend the **sauna infusion set**, consisting of a sauna bucket and a matching ladle.

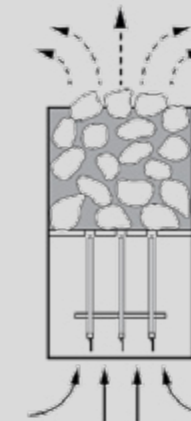
## EOS GOLIATH HD



**EOS GOLIATH HD**  
Finnish sauna heater



## Sauna stones and heating elements

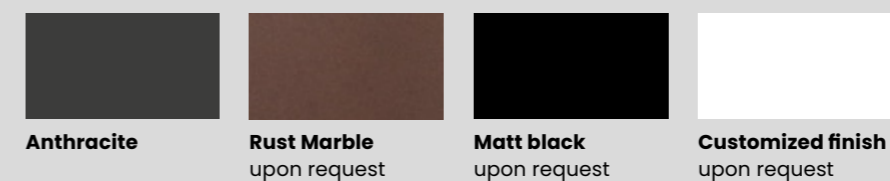


## TECHNICAL SPECIFICATIONS

Power output	Electrical connection	Dimensions H/W/D, in cm	For sauna cabin size*	Weight without rocks	Stone filling
18 kW	400 V 3N ~ 50/60 Hz	83 x 96 x 47	24 - 35 m <sup>3</sup>	~ 85 kg	~ 75 kg Grain size: 100-150 mm
24 kW			35 - 45 m <sup>3</sup>		
30 kW			45 - 65 m <sup>3</sup>		
36 kW			65 - 75 m <sup>3</sup>		

\*applies to interior sauna cabins

## OUTER SHELL



EOS ZEUS HD / ZEUS L HD

# Powerful Performance in a Round Design

The EOS Zeus HD is the powerful floor-standing heater for themed and event saunas, impressively combining design and performance. Its round housing, made from solid 8 mm steel, guarantees maximum stability and durability, while 60 kg of stones ensure optimal temperature stability.

**Perfect addition:**

Optional heater guard rail, 360° or 270° available in various types of wood.

**Exklusive round design:**

Round housing made of solid 8 mm steel construction ensures an extremely robust, stable, and long-lasting structure. Laser-cut openings provide optimal air convection and faster heat-up times.

**Powerful sauna infusions:**

Large rock store fits approx. 60 kg stones for optimal temperature stability.

**Special wiring upon request.**

Connection cables with heavy-duty plugs included.

**Copper busbars as standard inner wiring:**

Special "heavy-duty" inner wiring for even more durability, long-lasting service and particularly intensive commercial use.



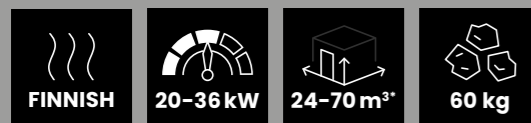
Thon Hotel Svolvær

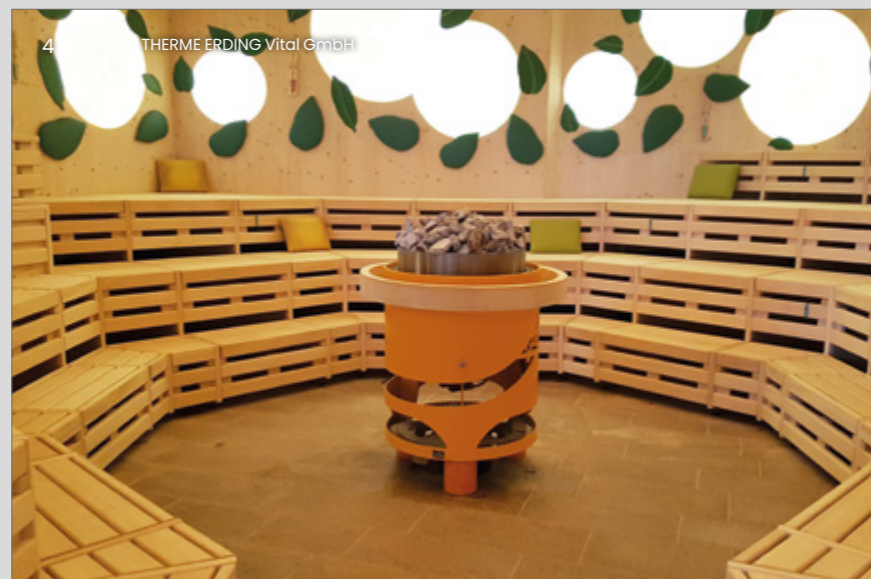
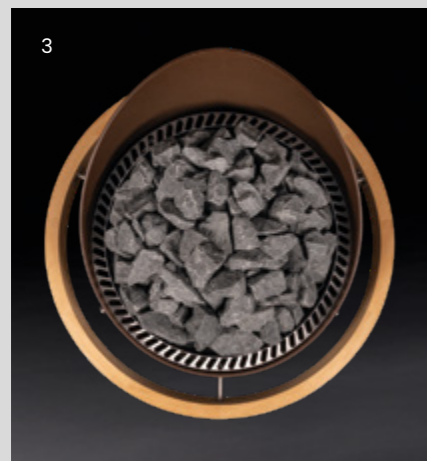
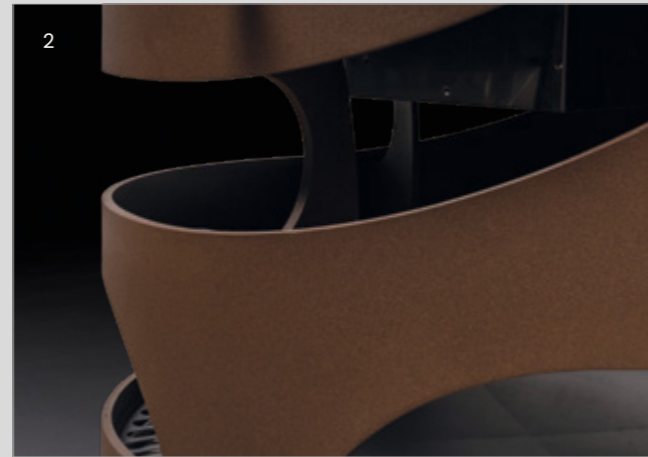


Hohenwart GmbH



FjordSauna AS | K.Skajhem





## FEATURES AND OPTIONS

- The models with 30 kW and 36 kW output are supplied with **stack frames**.
- High precision **laser-cut openings** underline the extraordinary design and ensure optimal air convection.
- Optional **heater guard rail**, available in 360° or 270°, made from high-quality woods, with the option for custom designs thanks to individually available mounting brackets.
- EOS Zeus L HD** :
  - Alternative design with straight-lined upper section.
  - Ideal for installations in front of glass panels or in the center of the sauna.
- Available with a **customized finish** upon request.

## ACCESSORIES

- Optionally available with diabase, vulcanite, or white quartz sauna stones.
- Full potential: With the **EOS U-Command** with **Wi-Fi and cloud connectivity**, your sauna becomes smart.
- For more intense sauna sessions, we recommend the **sauna infusion set**, consisting of a sauna bucket and a matching ladle.

## EOS ZEUS HD / ZEUS L HD

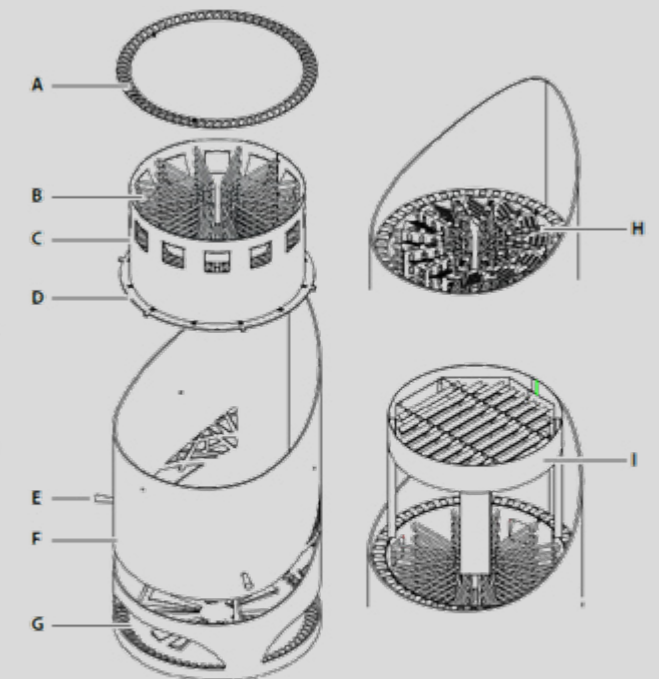


**EOS ZEUS HD**  
Finnish sauna heater

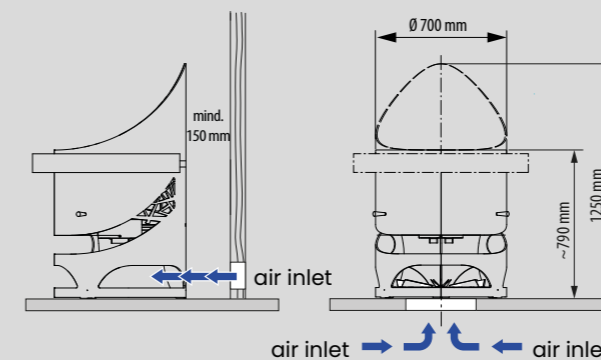


**EOS ZEUS L HD**  
Finnish sauna heater

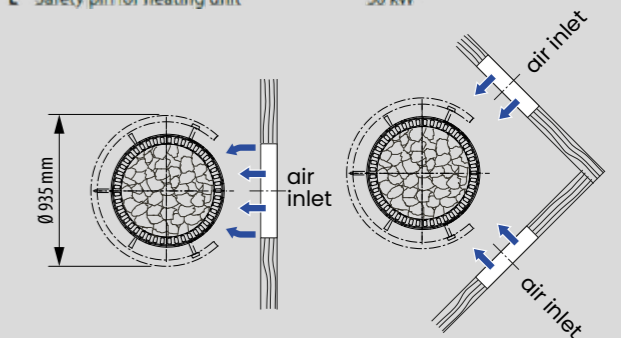
## Heating elements



- A Decoration ring
- B Tubular heating element
- C Inner casing (heating element)
- D Support frame
- E Safety pin for heating unit
- F Outer casing
- G Drip pan
- H Safety slots, only for 20/24 kW
- I Stone attachment, only for 30/36 kW



⚠ If the heater is in the middle or in front of a glass wall, make sure that the supply air comes from below! If there is supply air from below, the drip tray can be omitted in case of fireproofed floor.



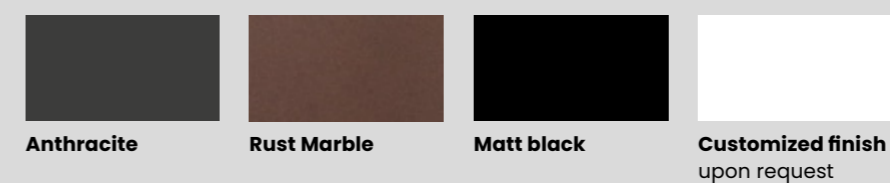
⚠ If the heater is in front of a wall, make sure that the supply air comes from the side  
Further description - see instruction manual

## TECHNICAL SPECIFICATIONS

Power output	Electrical connection	Dimensions H/W/D, in cm	For sauna cabin size*	Weight without rocks	Stone filling
20 kW	400 V 3N ~ 50/60 Hz	Ø 70 × 125 (Zeus HD) Ø 70 × 79 (Zeus L HD)	24 - 30 m <sup>3</sup>	145 kg (Zeus HD) 128 kg (Zeus L HD)	~ 60 kg Grain size: 100-150 mm
24 kW			35 - 40 m <sup>3</sup>		
30 kW			50 - 65 m <sup>3</sup>		
36 kW			65 - 70 m <sup>3</sup>		

\*applies to interior sauna cabins

## OUTER SHELL



EOS MEGA HD / MEGA S HD

# The World's Most Powerful Electric Sauna Heater

The EOS Mega HD is the powerhouse for spectacular sauna experiences, designed for uncompromising performance in professional themed and event saunas. With an impressive output of 36 to 72 kW, up to 150 kg stone volume, and a generous infusion area, it guarantees fast heat-up times and powerful, intense sauna infusions.

**Uniform appearance:**

Ideal for position in the center, in front of glass surfaces or for installation with an additional enclosure.

**Extra large stone volume and sauna infusion area:**

Stone volume of approx. 150 kg (Mega S: 100 kg).  
Large sauna infusion area of 70 x 110 cm (Mega S: 70 x 80 cm).  
Fast heat-up times and powerful sauna infusions are guaranteed.

**Expertly engineered, reinforced construction:**

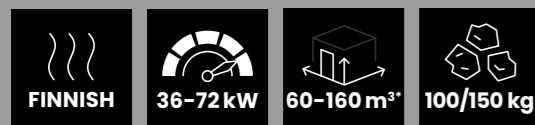
made of top-quality stainless steel. Rock store separated from heating elements – ensures optimal air convection and guarantees a long service life for the heating elements.

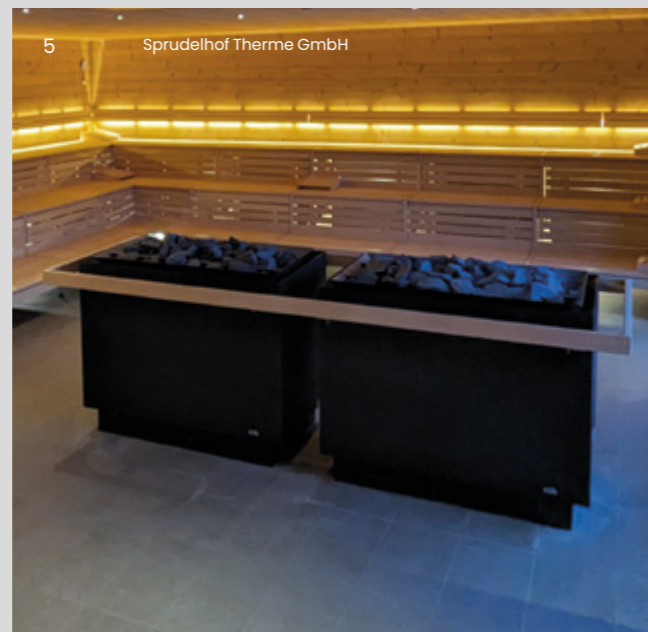
**Copper busbars as standard inner wiring:**

Specially designed for large event saunas and „Aufguss“ ceremonies.

**Included water drop pan:**  
catches up non vaporated liquid.

Special wiring upon request.





## FEATURES AND OPTIONS

- Large sauna infusion area** of 70 × 110 cm (Mega S: 70 × 80 cm). Fast heat-up times and powerful sauna infusions are guaranteed.
- Easy maintenance:** Heating elements can be replaced without removing the sauna stones. Rock store separated from heating elements and ensures optimal air convection and guarantees a long service life for the heating elements.
- Copper busbars as standard inner wiring:** Specially designed for large event saunas and „Aufguss“ ceremonies.
- Unique **V-shape profiles** in two layers ensure effective and complete evaporation during the infusion.
- The optional **heater guard rail** (4-sided) enhances safety, ensuring a relaxed and safe sauna experience. Made from high-quality woods, with the option for custom designs thanks to individually available mounting brackets.

## ACCESSORIES

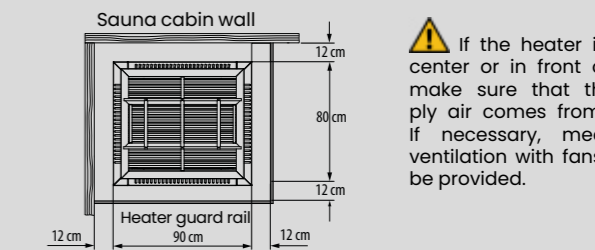
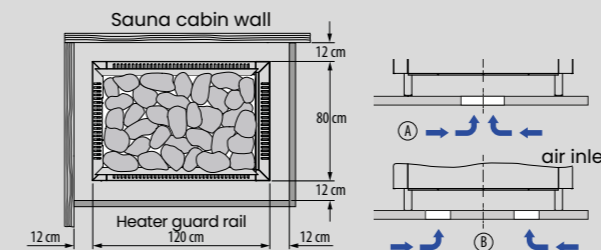
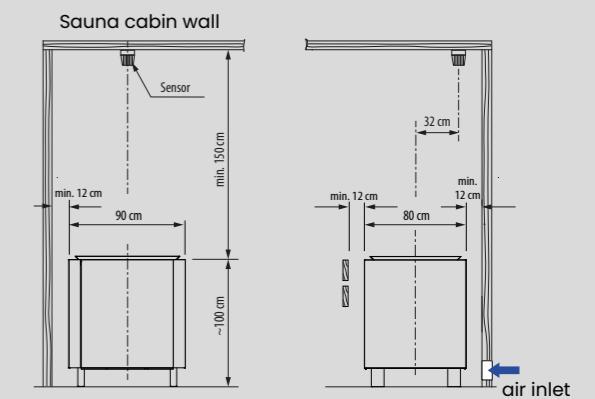
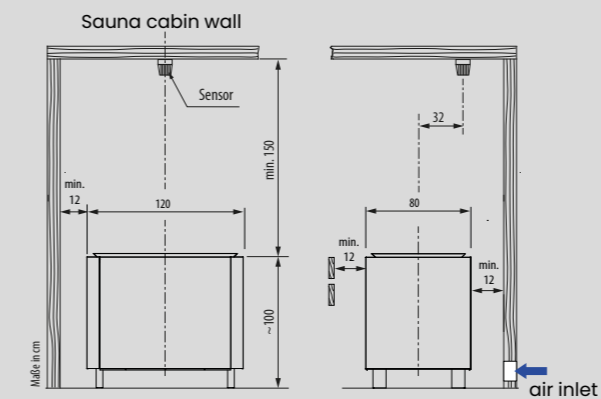
- Optionally available with diabase, vulcanite, or white quartz sauna stones.
- Full potential: With the **EOS U-Command** with **Wi-Fi and cloud connectivity**, your sauna becomes smart.
- For more intense sauna sessions, we recommend the **sauna infusion set**, consisting of a sauna bucket and a matching ladle.

## EOS MEGA HD / MEGA S HD



**EOS MEGA HD**  
Finnish sauna heater

**EOS MEGA S HD**  
Finnish sauna heater



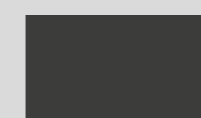
**!** If the heater is in the center or in front of glass, make sure that the supply air comes from below! If necessary, mechanical ventilation with fans should be provided.

## TECHNICAL SPECIFICATIONS

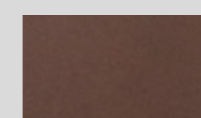
Power output	Electrical connection	Dimensions H/W/D, in cm	For sauna cabin size*	Weight without rocks	Stone filling
36,0 kW	400 V 3N ~ 50/60 Hz	100 / 120 / 80 (Mega HD) 100 / 90 / 80 (Mega S HD)	60-75 m <sup>3</sup>	- / 110 kg	~ 150 kg (Mega HD) ~ 100 kg (Mega S HD) Grain size: 100-150 mm
42,0 kW			65-80 m <sup>3</sup>	112 kg / 111 kg	
48,0 kW			70-90 m <sup>3</sup>	114 kg / 112 kg	
54,0 kW			80-100 m <sup>3</sup>	116 kg / -	
60,0 kW			100-130 m <sup>3</sup>	118 kg / -	
72,0 kW			130-160 m <sup>3</sup>	120 kg / -	

\*applies to interior sauna cabins

## OUTER SHELL



**Anthracite**



**Rust Marble**  
upon request



**Customized finish**  
upon request

# The Invisible Underbench Sauna Heaters

The EOS Invisio sauna heaters are installed under the sauna benches with a partition wall with only a 10 cm gap to the main sauna wall. Thanks to their construction and particular installation, EOS Invisio heaters offer high safety standards and save a lot of valuable space in the cabin. There is no more risk of accidentally touching the heater, and your sauna will look more spacious inside. In spite of the hidden installation, traditional sauna infusions are of course still possible.

**High safety standards:**

No direct contact with the sauna heater.  
Includes safety grill - reliable protection against objects falling down on the heater.

**Exceptionally space-saving:**

Concealed installation under the sauna benches.  
Space-saving design - only a 10 cm gap between partition and main sauna wall.



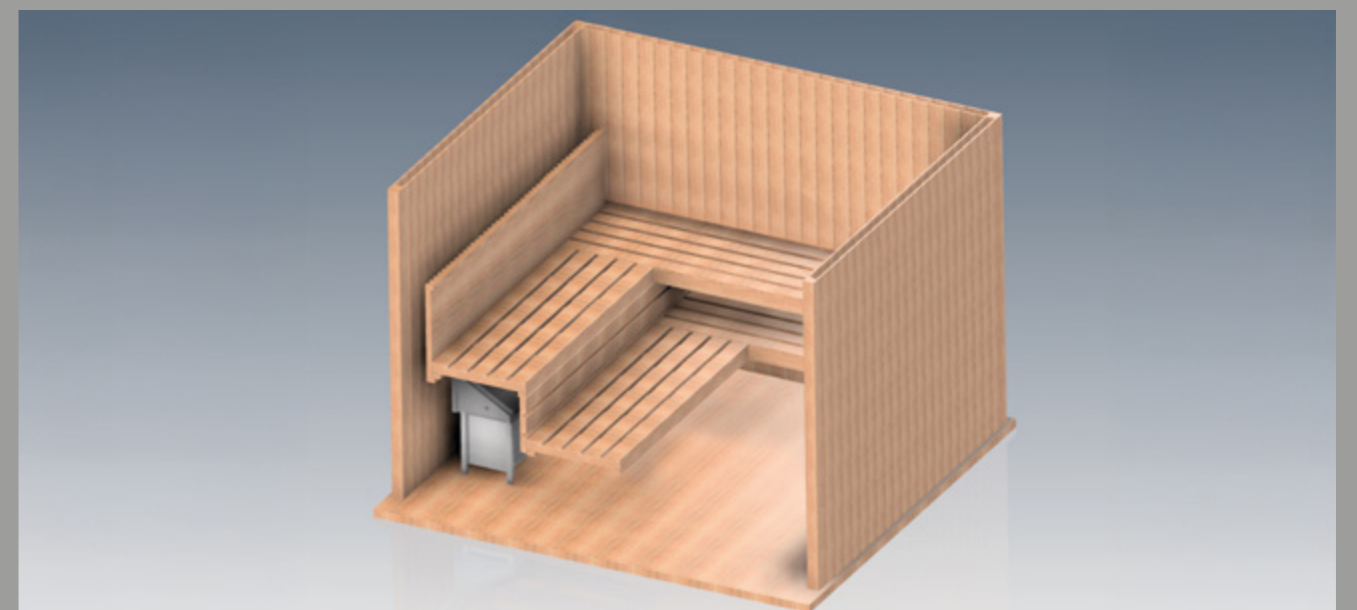
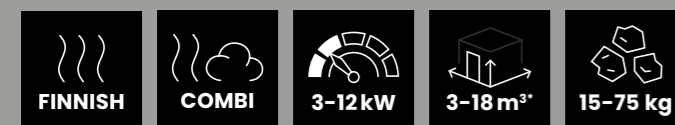
Special wiring upon request.

**Flexible and space-optimized:**

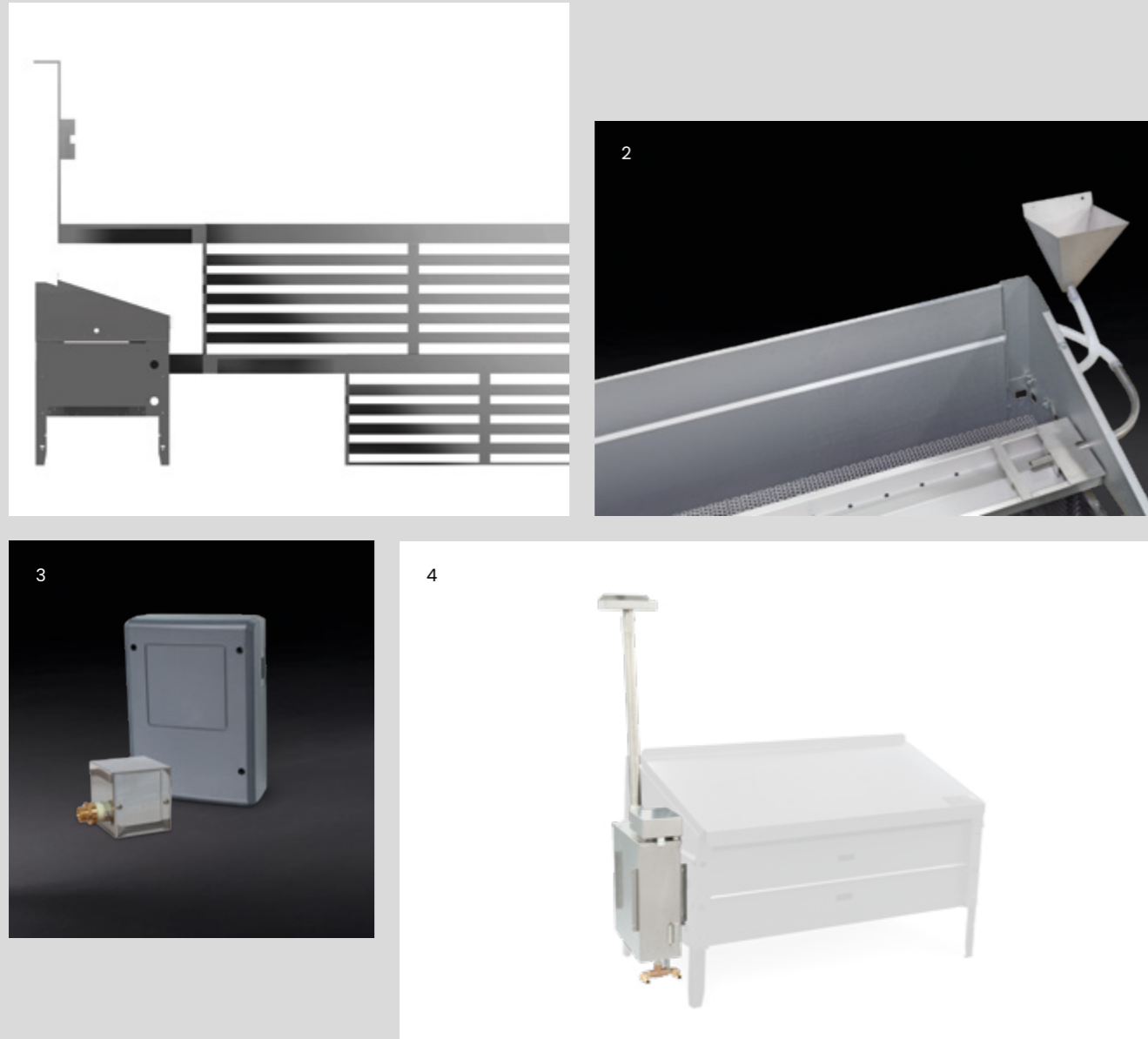
Available in three different sizes.  
Adjustable height.

**Included water drop pan:**

catches up non vaporated liquid.



# EOS INVISIO XL / INVISIO MIDI / INVISIO MINI / INVISIO VAPOR



## FEATURES AND OPTIONS

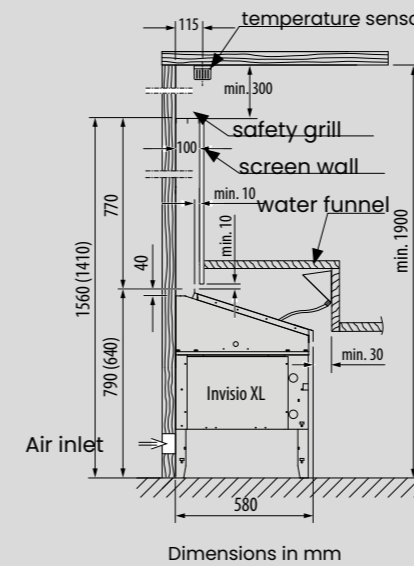
- 1 Concealed installation under the sauna benches. A unique design with a **very high level of safety** – direct contact with the sauna heater is not possible. Compared to traditional floor-standing heaters, it **saves valuable space**. In many cases, this allows for an additional bench in the cabin, making the sauna feel more spacious.
- 2 In spite of the hidden installation, traditional sauna infusions are of course still possible. Includes **accessory package** with water funnel with silicone hose and protective grid included. Funnel connection possible on both the left and right sides. The special gutter inside the heater spreads the water over the entire heater width to ensure **quick evaporation**.
- 3 Optional **AquaDisp** infusion automation:
  - Automates the water infusion process.
  - Can also be conveniently triggered via button inside the sauna cabin.
  - Infusion water is distributed across the entire width of the heater.
  - Ensures fast and even evaporation.
- 4 **Invisio Vapor**: External **vaporizer** (2 kW / 3 kW) for a flexible sauna climate settings ranging from hot and dry to mild and humid. Can be retrofitted on site.

## ACCESSORIES

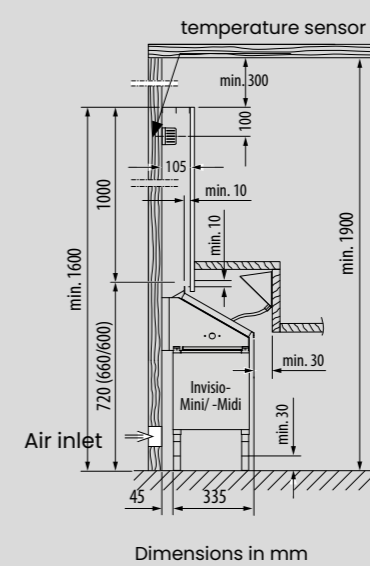
- 1 Full potential: With the **EOS U-Command** with **Wi-Fi and cloud connectivity**, your sauna becomes smart.



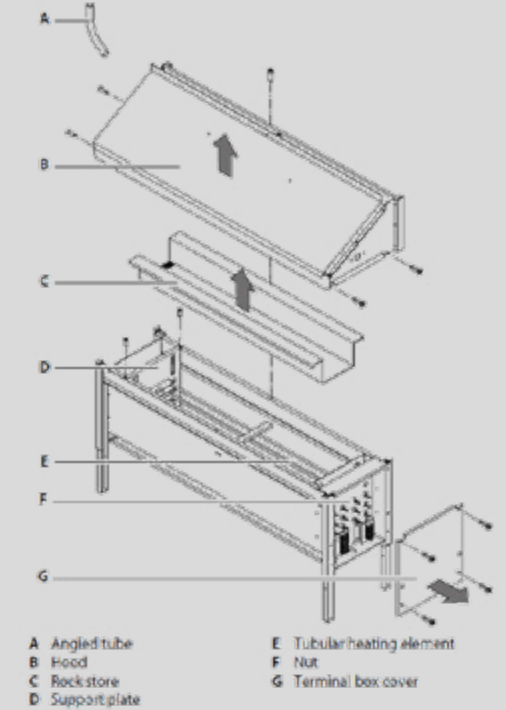
EOS Invisio XL



EOS Invisio-Mini / -Midi



## Heating elements



## TECHNICAL SPECIFICATIONS

Invisio model	Power output	Electrical connection	Dimensions, HxWxD in cm	For sauna cabin size*	Stone filling
EOS Invisio Mini	3,0 kW	230 V 1N ~	Height 65 / 71 / 77 cm Width 66 cm Depth 38 cm	3 - 4 m <sup>3</sup>	~ 15 kg
	4,5 kW			4 - 6 m <sup>3</sup>	
	6,0 kW			6 - 8 m <sup>3</sup>	
EOS Invisio Midi	6,0 kW	400 V 3N ~	Height 65 / 71 / 77 cm Width 116 cm Depth 38 cm	6 - 8 m <sup>3</sup>	~ 20 kg
	9,0 kW			9 - 14 m <sup>3</sup>	
	12,0 kW			14 - 18 m <sup>3</sup>	
EOS Invisio XL	9,0 kW	400 V 3N ~	Height 65 / 80 cm Width 116 cm Depth 58 cm	9 - 14 m <sup>3</sup>	~ 75 kg
	12,0 kW			14 - 18 m <sup>3</sup>	

\*applies to interior sauna cabins

## OUTER SHELL



EOS 46.U XL / 46.U / 46.U COMPACT / 46.U COMBI

# The Invisible Behind-the-Bench Sauna Heaters

The EOS 46.U series is elegantly installed behind the wall, creating maximum design freedom for modern sauna cabins. With only 20 cm depth the heater series belongs to the slimmest models on the market today: space-saving, safe, and nearly invisible. The concealed installation ensures at the same time increased safety in use while still delivering a full sauna experience with powerful, classic sauna infusions.

**High safety:**  
No risk of touching the heater. The safety grill ensures reliable protection against objects falling onto the heater.

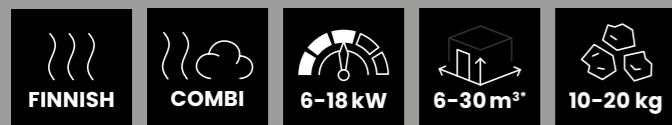
**Space-saving design:**  
Installation behind a partition wall with only 22 cm gap to the sauna wall, which saves a lot of valuable space in a sauna cabin. Only 20 cm depth.



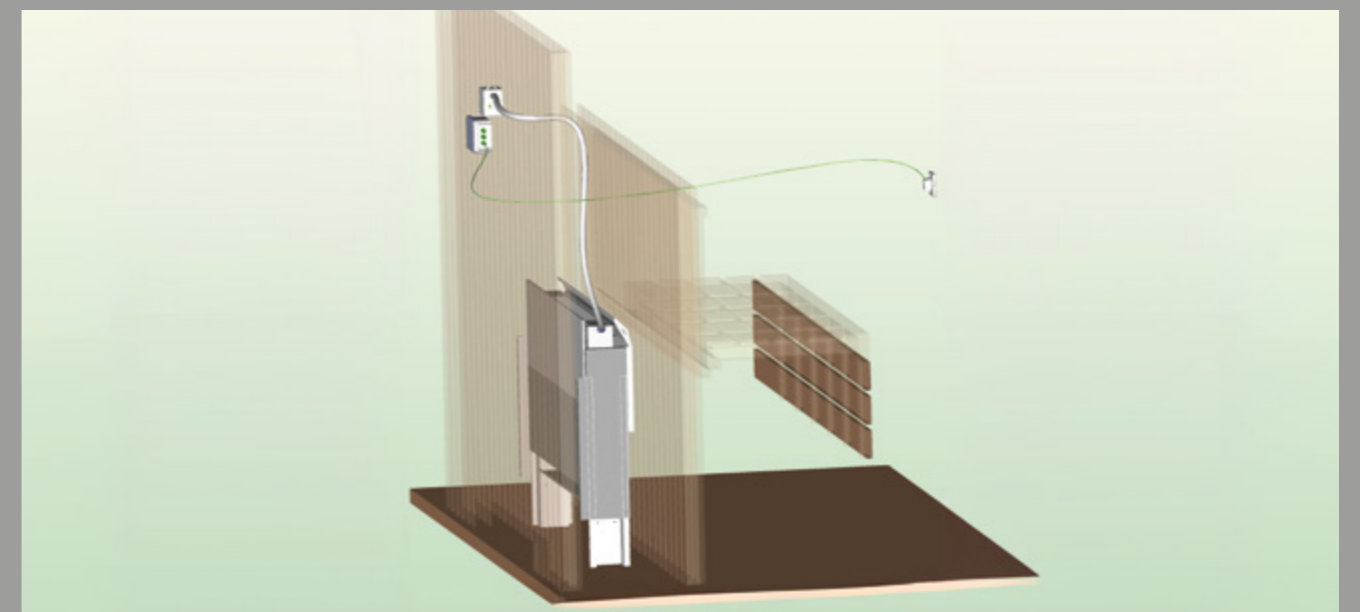
Special wiring upon request.

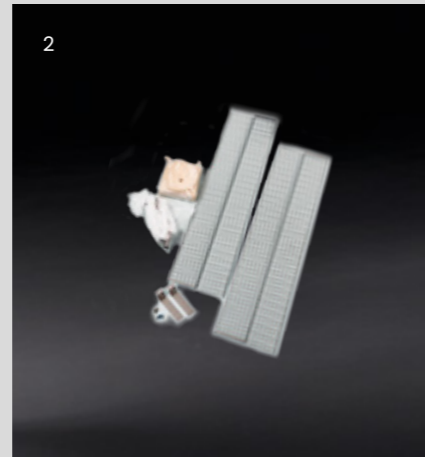
**Flexible and space-optimized:**  
Available in three different sizes.

**Included water drop pan:**  
catches up non vaporated liquid.



Suomi Sauna Kft.





### FEATURES AND OPTIONS

- 1 Rock store with **special gutter** inside the heater, the **water is spread across its full width** for a quick and effective evaporation. Inner and outer shell **made of stainless steel**.
- 2 The concealed installation ensures at the same time **increased safety** in use - the heater cannot be accidentally touched while it is hot: incl. **accessories package** with sauna infusion funnel and cover protection safety grill (image for EOS 46.U XL model).
- 3 Optional **AquaDisp** infusion automation:
  - Automates the water infusion process.
  - Can also be conveniently triggered via button inside the sauna cabin.
  - Infusion water is distributed across the entire width of the heater.
  - Ensures fast and even evaporation.
- 4 **EOS 46.U Combi** with integrated **vaporizer** (automatic filling optional) for a flexible sauna climate settings ranging from hot and dry to mild and humid. With dry-run protection and acoustic alarm.

### ACCESSORIES

- 1 Full potential: With the **EOS U-Command** with **Wi-Fi and cloud connectivity**, your sauna becomes smart.

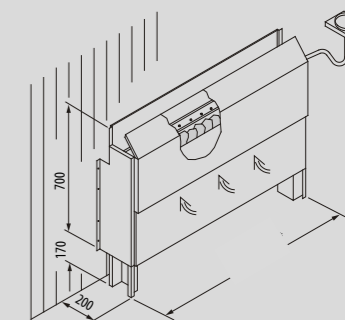
## EOS 46.U XL / 46.U / 46.U COMPACT / 46.U COMBI



EOS 46.U XL

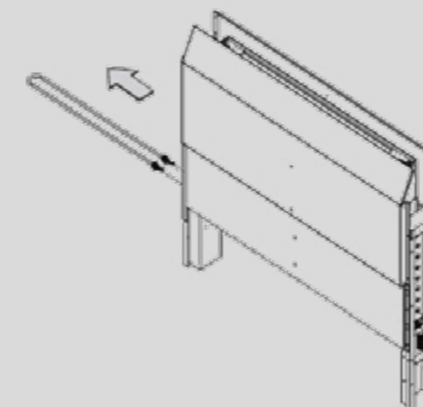


EOS 46.U / 46.U Compact

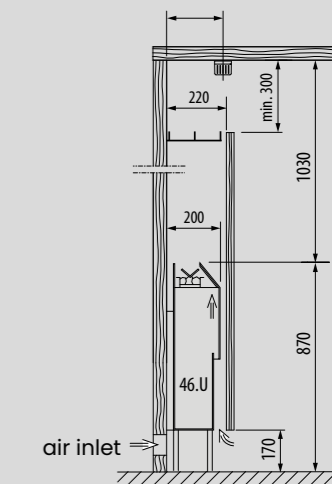
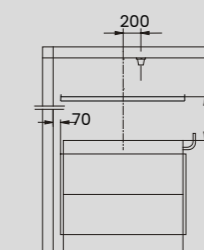


190 mm for cabin size up to 2 x 2 m  
390 mm for bigger cabin sizes

### Heating elements



### Sensor installation

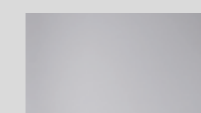


### TECHNICAL SPECIFICATIONS

46.U model	Power output	Vaporizer (Combi)	Electrical connection	Dimensions H/W/D, in cm	For sauna cabin size*	Weight without rocks	Stone filling
EOS 46.U Compact	6,0kW	--	400 V 3N ~ 50/60 Hz	87 / 92 / 20 cm	6 - 8 m <sup>3</sup>	19,0kg	~ 10 kg
	7,5kW				7 - 10 m <sup>3</sup>	20,0kg	
EOS 46.U Combi	6,0kW	1,5 kW		87 / 112 / 20 cm	6 - 8 m <sup>3</sup>	31,5 kg	~ 15 kg
	7,5kW				7 - 10 m <sup>3</sup>	32,5kg	
	9,0kW	2,0 kW			9 - 14 m <sup>3</sup>	33,0kg	
	12,0kW				14 - 18 m <sup>3</sup>		
EOS 46.U	6,0kW	--		87 / 112 / 20 cm	6 - 8 m <sup>3</sup>	23,5kg	~ 15 kg
	7,5kW				7 - 10 m <sup>3</sup>	24,0kg	
	9,0kW				9 - 14 m <sup>3</sup>	24,5kg	
	12,0kW				14 - 18 m <sup>3</sup>	25,5kg	
EOS 46.U XL	15,0kW	--		87 / 144 / 20 cm	18 - 25 m <sup>3</sup>	~ 44 kg	~ 20 kg
	18,0kW				24 - 30 m <sup>3</sup>	~ 45kg	

\*applies to interior sauna cabins

### OUTER SHELL



Stainless steel

# Gas-Powered Sauna Heater-Systems

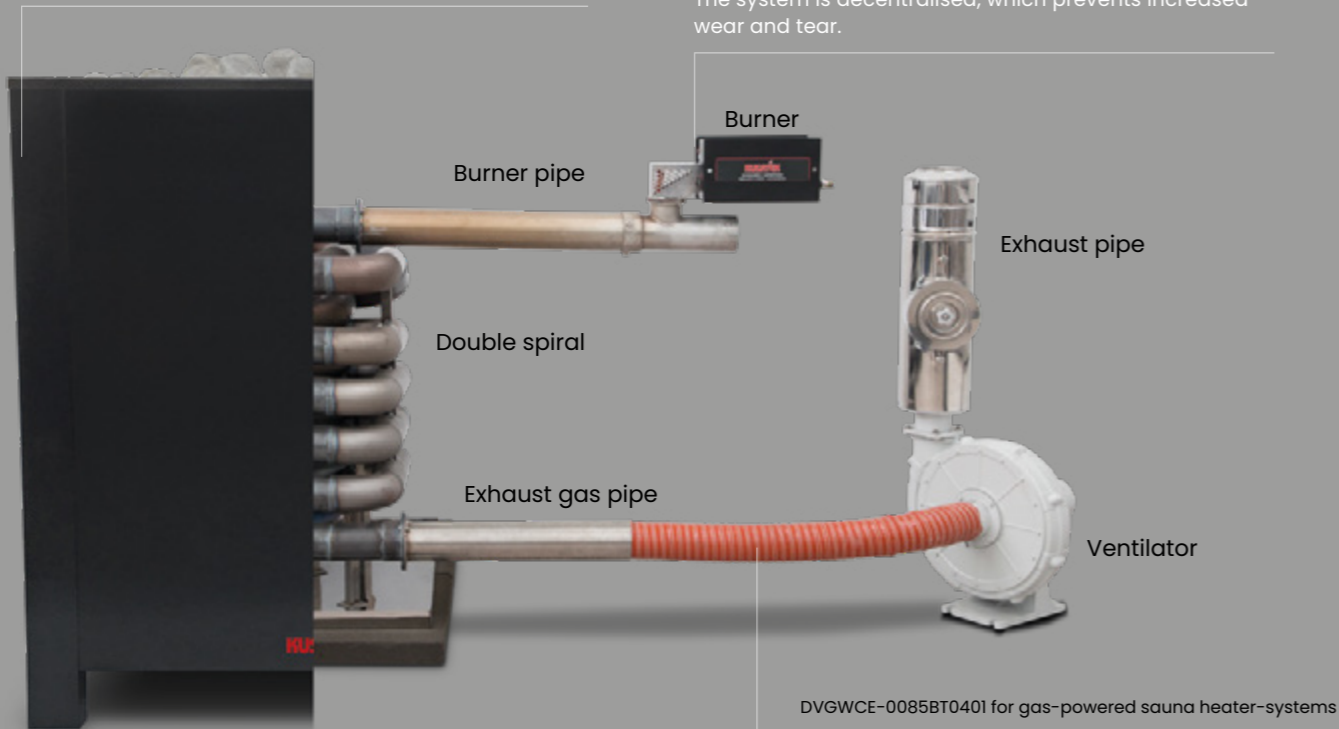
With more than 30 years of experience and our own innovation department, we manufacture efficient sauna heaters as standard and individual solutions. Our DVGW-certified gas-powered Kusatherm sauna heater-systems have a power range from 10 to 120kW and are optionally expandable through the combination of several heater entities. There are no limits to the performance and size of the sauna heater.

**Efficient and effective with add. benefits:**

Expandable with exhaust heat exchanger (4,5kW) and under-bench piping for energy recovery for e.g. water boilers (for showers, floor heating etc.).

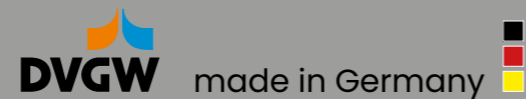
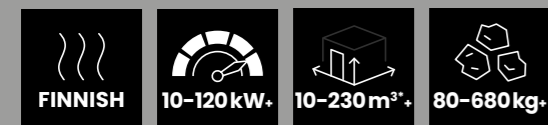
**Durable:**

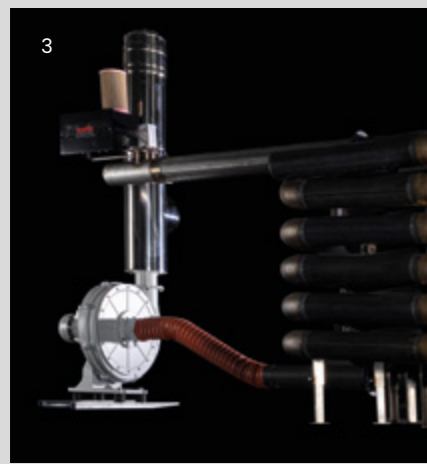
The system is decentralised, which prevents increased wear and tear.



**Retrofitting possible:**

Straightforward retrofitting subject to structural conditions.





## FEATURES AND OPTIONS

- As individual as your operation:** Individual installation solutions and adjustable settings tailored to your operation, such as weekly operating times.
- KUSATEK K-Tec** Sauna control unit for gas-powered sauna heater-systems.
- Sustainable and low-maintenance:** due to durable and robust construction.
- Economic efficiency:** A unique heat storage system achieved through exceptionally large quantities of stone per heater within each performance class. The larger the system or sauna cabin, the more optimal the economic return on this investment.

## KUSATEK KUSATHERM

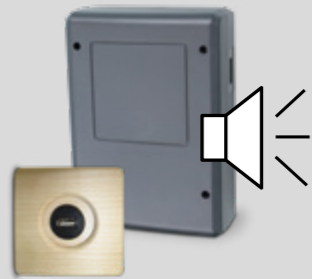
### TECHNICAL OVERVIEW

		10	15	20	25 - 30	50 - 60	75 - 90	100 - 120	
Sauna cabin size*	m <sup>3</sup>	10 - 15	15 - 23	23 - 30	30 - 45	45 - 90	90 - 135	135 - 230	
Heating power	kW	9	14	18	23 - 27	45 - 54	67 - 81	90 - 108	
Number of burners	piece	1	1	1	1	2	3	4	
Number of ventilators	piece	1	1	1	1	1	1	1	
Pressure - natural gas	mbar	22/50							
Pressure - propane / butane	mbar	28/50							
Connecting thread		R1/2"							
Gas consumption	m <sup>3</sup> /Std	0,9	1,4	1,8	2,3 - 2,7	4,5 - 5,4	6,7 - 8,1	9,0 - 10,8	
Electrical connection	V	230 V N 50 Hz	400 V 3N 50 Hz						
<b>Dimensions L x W x H (examples) – Individual sizes can also be provided upon request.</b>									
Heating spiral (Basic)	cm	37×37×88	50×50×100	63×63×100	80×80×100	80×80×110	80×130×110	80×170×110	
Enclosure – inside	cm	52×52×90	65×65×100	78×78×100	95×95×100	95×95×110	95×145×110	95×185×110	
Metal housing	cm	52×52×90	65×65×100	78×78×100	95×95×105	95×95×115	95×145×115	95×185×115	
Stone enclosure (e.g. granite)	cm	57×57×90	70×70×100	83×83×100	100×100×105	100×100×115	100×150×115	100×190×115	
Exhaust gas pipe, pressure-tight	mm	NW 130	NW 130	NW 130	NW 130	NW 130	NW 130	NW 130	
<b>Operation independent to room air conditions</b>									
Vertical chimney connection		-	X	-	-	X	-	-	
Horizontal chimney connection		-	X	-	-	-	-	-	
<b>Operation dependent on room air conditions</b>									
Vertical chimney connection		X	X	X	X	X	X	X	
Stone filling	kg	80	100	180	260	340	500	680	
<b>Cable cross sections</b>		<b>for analog sensors</b>				<b>for digital sensors</b>			
Connection to control unit	mm <sup>2</sup>	5×2,5				5×2,5			
Control unit - room sensor	mm <sup>2</sup>	2×0,5				upon request			
Control unit - heater sensor (STB)	mm <sup>2</sup>	4×0,5							
Control unit - burner	mm <sup>2</sup>	3×1,5				3×1,5			
Control unit - ventilator	mm <sup>2</sup>	5×2,5				5×2,5			

All heaters sizes are approximate sizes. Best possible safety thanks to certification as per directive for gas-fueled devices (EU) 2016/426. Certificate CE-0085BT0401. Individual sizes can also be provided upon request.

\*applies to interior sauna cabins

### SBM-S BT Sound module



The sound module allows to playback music in your sauna and to control it directly at the sauna control unit display.

With a built-in stereo amplifier 2 x 15W and an integrated MP3 player. Music files can be retrieved from an SD-card, USB connection or via Bluetooth.

### SBM-FL 75/150 Coloured light module



Allows to connect and control almost any RGB or white light LED light (e.g. LED-spots, LED-strips, etc.) via control unit. No driver needed, direct connection to the module. Available with power outputs: 67.5 W and 135 W.

Compatible with voltage-controlled (0-24V) and with current-controlled (0-3000mA) LED lamps.

Notice: Suitable for LED strips with common „-“ only. Pole converter allows to connect LED strips with a common „+“ pole.

### EOS LED Strip



Innovative LED Strips with slim connector on both ends for a chain-type connection. Available in three different lengths as RGB coloured light type and as white light type.

Very high heat resistance up to 140°C (autom. reduction of the light intensity at 110°C). Exceptionally high light output – up to 160 lumen per watt. 24 V ~ voltage, power output 3.6 – 4W.

Size LWH: 495 / 330 / 165 x 15 x 5 mm

### RGBW LED Strip Neon Flex



Special flexible RGBW LED strip available in three sizes, universally suitable for sauna, infrared or steam rooms. Dimmable (constant voltage).

Very high heat resistance up to 140°C – suits installation in traditional saunas.

IP67 protection class –fully suitable for high humidity (e.g. steam rooms). Universal colour output –RGB and warm white (2700K) in one strip. High light intensity – 410 –620lm/m. Low power consumption – only 15W/m.

Size LWH: 2500 / 5000 / 10000 x 12 x 12 mm

### Diabas sauna stones

- Very fine-grained, resistant structure.
- Durable, with very high heat storage capacity.
- Diabase sauna stones are very durable and are also ideal for frequent sauna infusions.
- Colour: medium grey to grey-green
- Grain sizes e.g. 30 – 60 / 50 – 100 / 100 – 150 mm
- Available as 8 / 15 / 20 / 25 kg packages.



### SBM-Hot

- Hot is a power boost function (up to 30 minutes).
- Push button for Hot function for sauna control units.
- Stylish push button with durable metal housing, flush-mounting installation. With illumination ring in red.
- Set includes: push button with external electronic unit and pre-mounted connection cables.



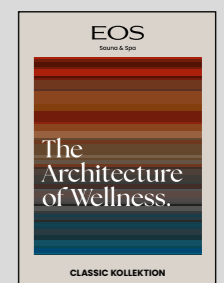
### SBM-Eco

- Eco is a power-saving mode with manual or automatic operation.
- Push button for Eco function for sauna control units.
- Stylish push button with durable metal housing, flush-mounting installation. With illumination ring in green.
- Set includes: push button with external electronic unit and connection cable.



### Further Accessories

- Infrared systems, steam room equipment, coloured light systems, and a wide range of sauna accessories can be found in the catalogue: Classic Collection.





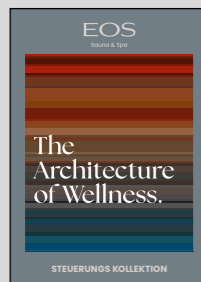
### PEB 18 / 18 H

- Contactor box for power extension for control units. Provides the additional 18kW switching capacity.
- Very low-noise operation. Elegant housing with two-part front cover.
- Durable, highly reliable construction.
- Fast and simple installation. Connections possible from the bottom and from the rear side.
- Integrated fuses for individual protection of all three phases (replacement fuses incl. in delivery).
- PEB 18 H: 18 kW output for heater and 6 kW output for vaporizer (for commercial Combi heaters).
- In combination with a 9 kW (10 kW) control unit suitable for twin-circuit sauna heaters up to 27 kW (28 kW) power (with EOS Compact D18/H18 – up to 36 kW).



### PEB 36 / 36 H

- Professional grade contactor box for power extension for control units with built-in fuse box. Provides the additional 36kW switching capacity.
- Very low-noise operation.
- Durable, highly reliable construction.
- Fast, simple installation. Connection from all sides.
- Integrated fuses for individual protection of all three phases (replacement fuses incl. in delivery).
- PEB 36 H: 2 × 18 kW output for heater and 6 kW output for vaporizer (for commercial Combi heaters).
- In combination with a 9 kW (10 kW) control units suitable for twin-circuit sauna heaters up to 45 kW (46 kW) power (with EOS Compact D18/H18 – up to 54 kW).



### Further Accessories

- A wide selection of control units, extension modules, as well as accessories can be found in the catalogue: Control Collection.

# EOS

B05065 EN V2.0 05/2026

# The Architecture of Wellness.



EOS Saunatechnik GmbH  
Schneiderstriesch 1  
D-35759 Driedorf  
[www.eos-sauna.com](http://www.eos-sauna.com)

Made in Westerwald, Germany