



Technical data sheet


EmoTouch II+ Steam

Innovative touch-screen control unit for steam rooms.

Advanced control system with a remote touch-screen control panel and a separate relay box. Innovative enhanced graphic user interface allows easy and intuitive operation, all major functions can be reached within a few seconds. For steam rooms.

Features and benefits:

- Remote control panel with a 7" capacitive touch-screen display.
- Flush-mounted or surface-mounted installation (control panel)
- New re-designed graphic user interface allows direct, intuitive access to all functions and settings.
- Easy navigation with icons and clear text function description.
- Menu navigation in 20 languages (DE, EN, FR, RU, ES, NL, IT, PL, SLO, FIN, TR, CZ, RO, BG, HU, HR, SK, DK, CN, SE).
- Specially designed for steam rooms.
- Separate service level with pin-code protection.
- Child lock and a new innovative „holiday home“ mode.
- Week timer (4 programs / day) with individual climate settings.
- 8 user profiles with individual settings.
- Guided setup menu, clear text messaging (functions, errors).
- Software may be updated with a SD card (own contact details incl. own logo may be installed against a surcharge).
- Various extension modules optionally available.
- Potential-free contact (output).
- Up to 30 m installation distance between touch-screen display and steam room. 5 m connection cable included.
- Simple installation and service-friendly design. All components (control panel, sensors and extensions are connected using modular plug cables) The relay box allows cable connections from the rear and from the bottom side.
- High safety standards, complies with the latest EU norms.

- Easy and intuitive operation
- Menu navigation in 20 languages
- Large 7" touch-screen display
- Simple, quick installation
- Premium functions
- Made in Germany 



Relay box
wall-mounting

Control panel
Flush-mounted installation.
7" touch-screen display.

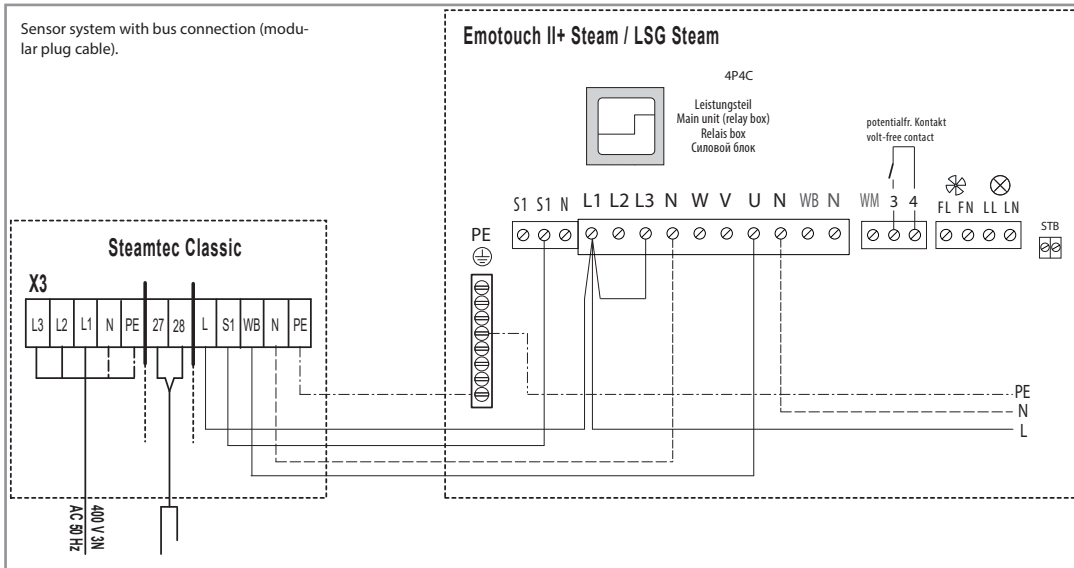
Item no. 94.5951



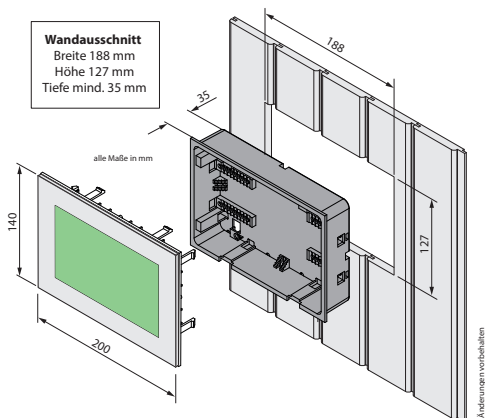
MADE IN GERMANY 

Technical changes reserved

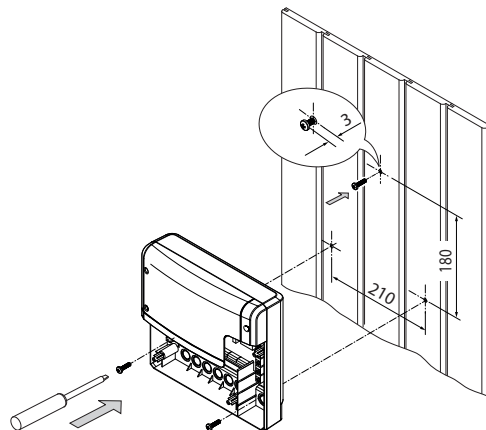
Connection diagram



Control panel installation



Relay box installation

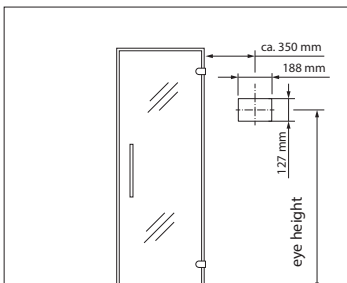


Sensor installation



Special design sensor for steam rooms, metal tube type housing, with 5 m cable (RJ19 plug)

Installation on the cabin front wall:



Specifications

Electrical connection	Power output	Temperature control range	Heating time limitation	Time pre-selection	Cabin light output	Fan output	Sensor system	Control panel (HWD)	Relay box (HWD)
400V 3N AC 50 Hz	9,0 kW resistive load (extension possible).	30° - 70° C	6 h / 12 h / unlimited	24 h real time or week timer	230 V, dimmable. Resistive, capacitive, inductive loads. For details see manual.	230 V / max. 100 W, adjustable speed	Digital, inc. 5 m cable. Metal housing.	142 x 210 x 42 mm flush-mounting (127 x 188 mm wall aperture)	270 x 300 x 100 mm wall-mounting

Technical changes reserved