



Dosing pump

for essence dosing in steam rooms

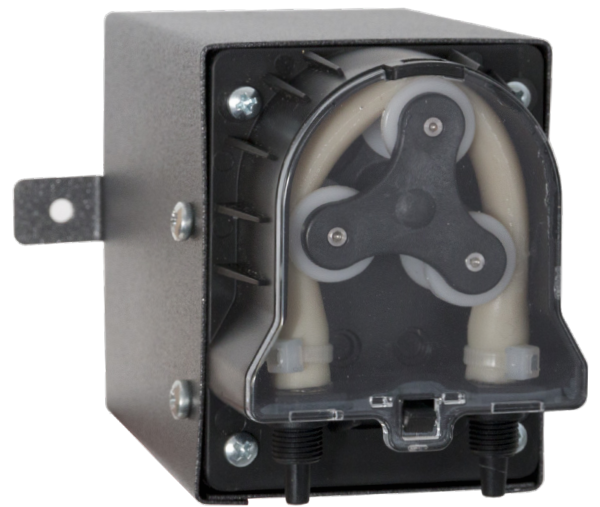
High performance dosing pump for essence dosing in steam rooms. Robust metal housing for wall-mounting. Requires external control signal.

Advantages and benefits:

- Reliable peristaltic pump with replaceable dosing tube
- Robust metal housing for wall mounting
- Pre-mounted connection cable
- Very easy to install and to use
- Includes dosing injector
- Ideal addition for Econ S2 and SteamRock Basic
- Made in Germany quality from EOS.

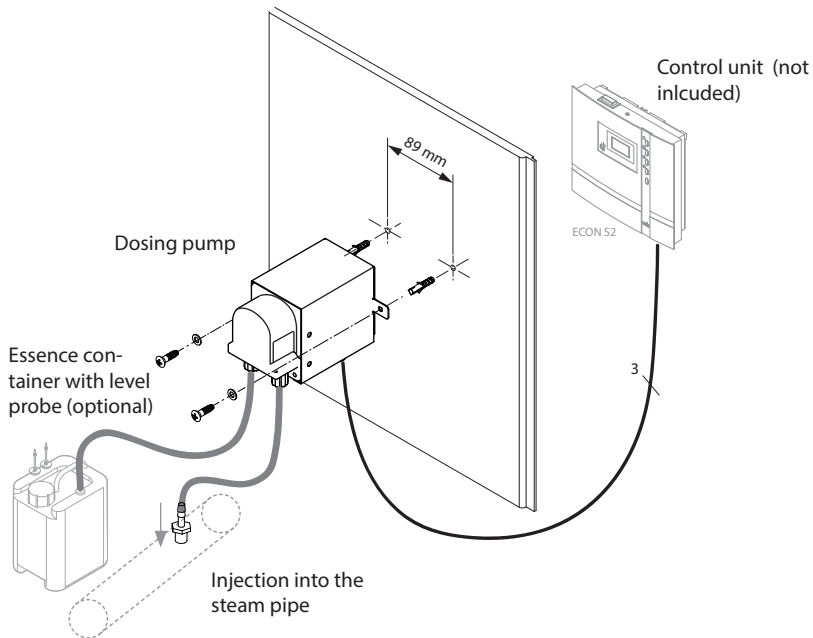
Specifications:

Power supply:	230 - 240 V ~ 50/60 Hz
Power consumption:	8 W
Tube material:	6.25 x 10.65 mm 70SH
Pump type:	peristaltic pump
CC/Revolution:	2,5
Fitting:	Ø 4 x 6 mm
Flow rate:	5 l/h by continuous operation
GPH:	1.319
GPD:	31.68
Backpressure:	1,5 bar
MPA:	1.15
PSI:	21.75
IP class:	IP20
Drive:	DC motor with built in driver board



Made in Germany 

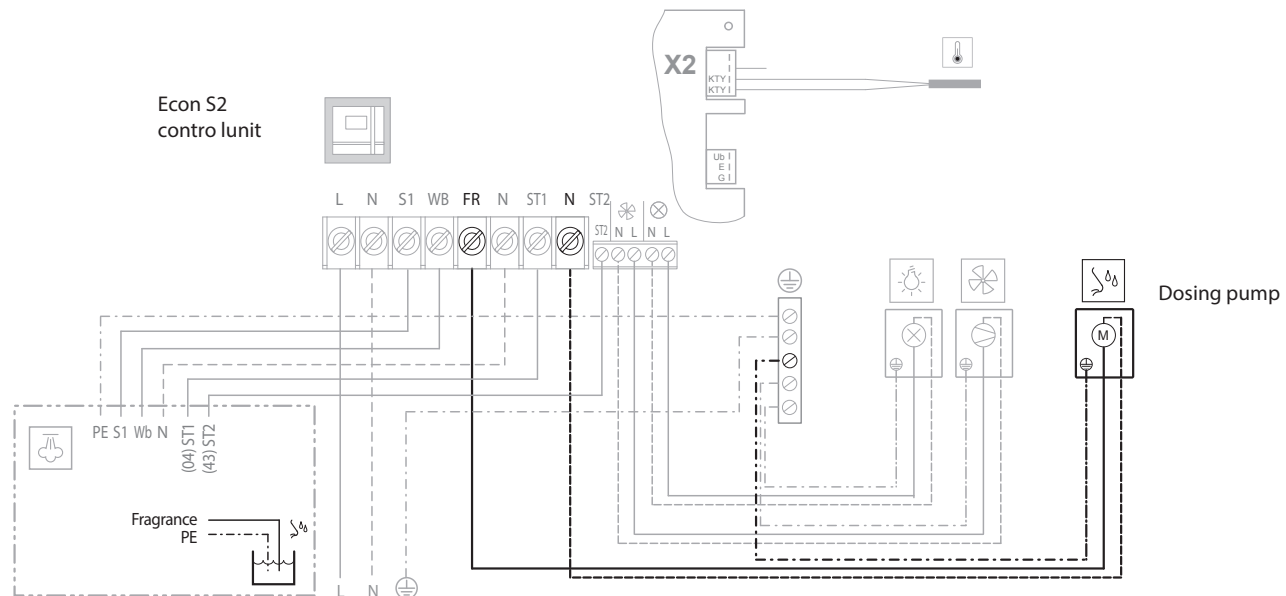
Installation overview



Notice for planning

- Connection point of the essence injection into the steam pipe should ensure that the essence may not get into the water tank with the back flow of steam or water condensate.
- Essence injection into the steam pipeline should be made at the horizontal section from the top down so that the injected essence would drop directly into the steam flow.
- Essence injection point should be located possibly close to the steam outlet for optimized dosing performance.

Connection example for Econ S2 / Steamtec II Basic



SteamRock Basic steam generator

Item no.	Power supply	Power consumption	Flow rate	Tube type	Fitting	Size H/W/D in mm	Weight w/out packing
94 6297	230 V 1N ~ 50/60Hz	8 W	5 l/h	6.25 x 10.65	Ø 4 x 6 mm	93 / 111 / 138	0,5 kg