



# EOS SteamAttrac

## Steam generator for steam rooms.

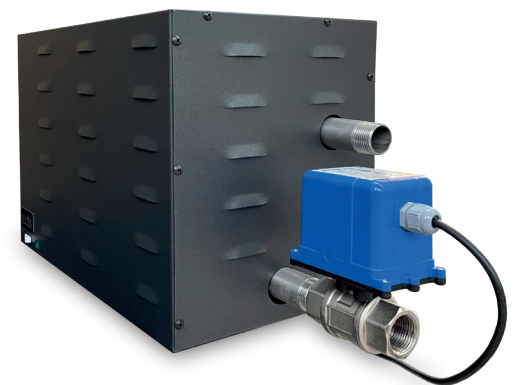
Compact steam generator for steam rooms. Recommended for residential use for steam room cabins or saunas with humid operation. Also suitable for commercial operation.

### Advantages and benefits:

- Compact-size wall-mounting model.
- Very stable and reliable steam production.
- Robust stainless-steel outer housing with anthracite finish.
- Durable stainless steel water tank with high-performance heating elements with practical single-block mounting for easy maintenance.
- Dry run protection with automatic switch-off by overheating.
- Service-friendly design with easy access to all components.
- Automatic drain after use.
- Reminder indicator for cleaning / descaling.
- Made in Germany Quality from EOS.

### Specifications and features:

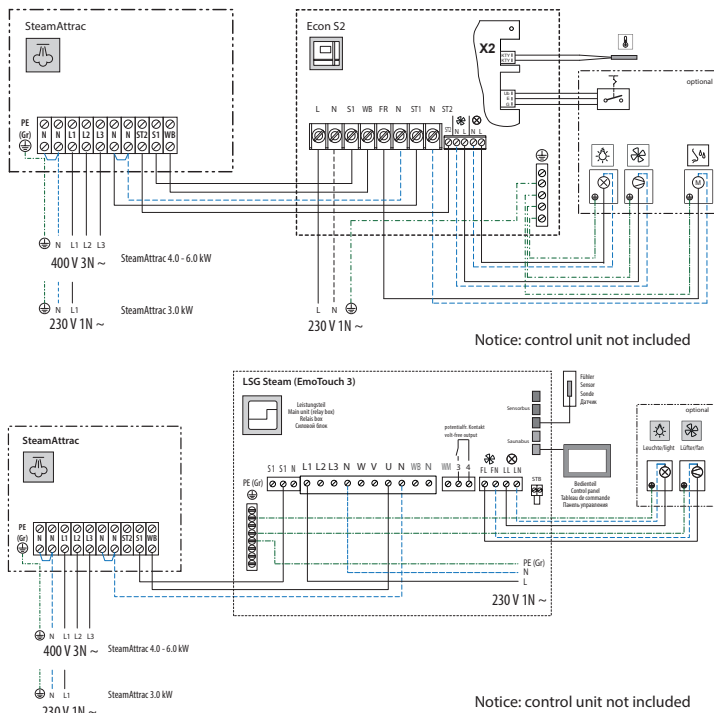
Housing:	Stainless-steel, anthracite finish
Heating system:	Electric, heating elements
Water tank:	Stainless steel, 1,5 mm wall construction
Control:	requires an external control unit
Power output:	3.0 / 4.0 / 6.0 kW
Electrical connection:	3 kW - 230 V 1N ~ 50Hz 4 - 6 kW - 400 V 3N ~ 50 Hz
Water supply:	3/4", cold water supply, 2-6 bar
Steam output	1" outer thread
Drain:	1" (with 2-way drain valve)
Dimensions (H x W x D):	330 x 450 x 270 mm
Installation:	Wall-mounting installation



### Matching products:

Model	Item no.
EOS Econ S2 control unit	94 6296
LSG Steam extension for EOS EmoTouch 3	94 6967
Essence dosing pump kit (for EOS Econ S2)	94 6297
SteamClean descaler, 5 kg canister	2001 4604
AKE40 water softening system	94 6773

## Connection example



Notice: Soft water supply required for operation. Water softening system may need to be pre-installed (obligatory by commercial use).

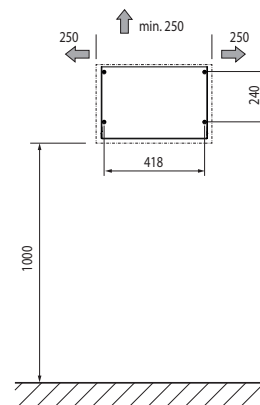
## Technical specifications

Power	Acrylic-steam bath	Wall cladding tiles / hard foam	Wall cladding tiles on concrete	Solid wall made of concrete / tiles
3,0 kW	up to 4 m <sup>3</sup>	up to 3 m <sup>3</sup>	up to 3 m <sup>3</sup>	up to 2 m <sup>3</sup>
4,0 kW	up to 5 m <sup>3</sup>	up to 4,5 m <sup>3</sup>	up to 3,5 m <sup>3</sup>	up to 2,5 m <sup>3</sup>
6,0 kW	4,1 - 8 m <sup>3</sup>	3,1 - 6 m <sup>3</sup>	3,1 - 5 m <sup>3</sup>	2,1 - 4 m <sup>3</sup>

For further information and specifications, please do not hesitate to contact us.

Item no.	Power output	Steam output per hour	Power supply	Connection (mains)	Fuse protection	Dimensions H/W/D, mm	Net weight	Water supply	Steam output
94 6838	3,0 kW	4 kg	230 V 1N 50Hz ~	3 x 1,5 mm <sup>2</sup>	1 x 16 A	330 x 450 x 270	~ 18 kg	3/4" outer thread, 2 - 8 bar	1" outer thread
94 6839	4,0 kW	5 kg	400 V 3N 50Hz ~	5 x 1,5 mm <sup>2</sup>	3 x 16 A				
94 3840	6,0 kW	8 kg							

## Installation



### Mounting:

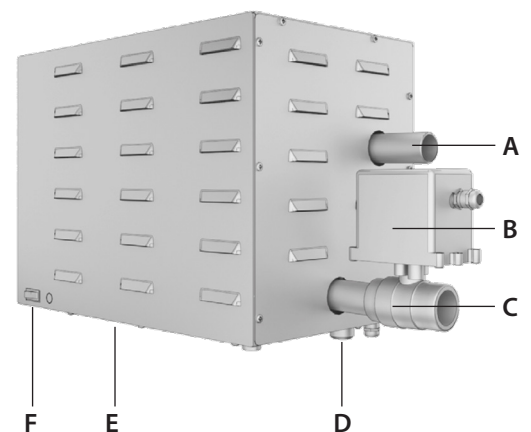
SteamAttrac is designed for wall mounting. The steam generator should be mounted at the level of the steam room.

The steam generator should be accessible for maintenance and servicing.

Refer to the installation manual for complete installation details.

Pay attention to special requirements to water quality.

## Construction details



- A. Steam output
- B. Actuator for drain valve
- C. Drain with 2-way ball valve
- D. Water supply 3/4"
- E. Cable glands for electric connections on the bottom side
- F. Button for descaling confirmation