



Technical data sheet

SteamRock Premium

**Steam generator for steam rooms.
For domestic and commercial use.**

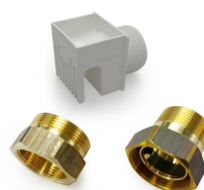
Luxury class steam generator for steam rooms. Suitable for intensive commercial use. Innovative construction with externally placed heating elements. With EmoTouch 3 display panel and built-in essence dosing system.

Your advantages:

- Stable steam production by any water quality.
- New, innovative construction - heating elements mounted outside water tank without direct contact to water, no associated problems with scale deposits on heating elements.
- Designed for heavy-duty commercial operation.
- Power output can be adjusted on site. 1 unit covers 3 - 4 power ranges.
- Control unit with EmoTouch 3 touch-screen display panel for remote installation up to 30 m away.
- Built-in essence dosing system for 2 fragrances with 2 peristaltic pumps.
- Integrated automatic cleaning system (with descaling)
- Includes steam outlet, brass union for steam output, water hose.
- Made in Germany Quality from EOS.

Specifications and features:

Housing:	Plastic, stylish high glance black finish
Heating system:	Electric, basing on heating elements
Water tank:	Stainless steel, reinforced wall construction
Control:	Integrated, with external EmoTouch 3 touch screen display panel.
Cleaning:	Automatic chemical descaling (requires liquid descaler, not included, optionally available)
Essence dosing:	Integrated, 2 built-in peristaltic pumps
Power output:	3.0/6.0/9.0 kW and 9/12/15/18 kW
Electrical connection:	400 V 3N AC 50 Hz
Water supply:	3/4", cold water supply, max 6 bar
Steam output	1 1/4" outer thread (brass union included)
Dimensions (H x W x D):	670 x 460 x 350 mm
Installation:	Wall-mounting, connections at the bottom



Includes fittings:

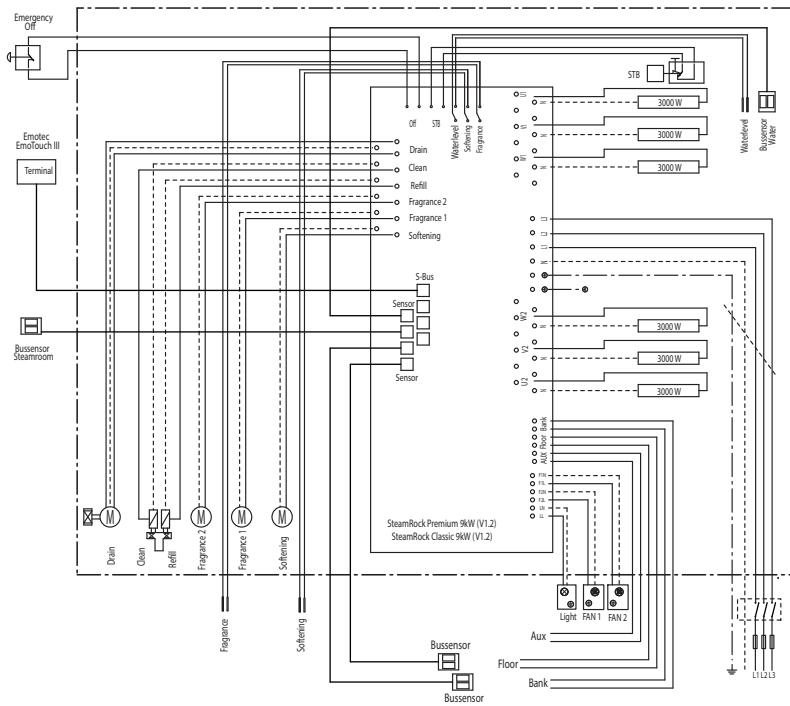
- Steam outlet with optimized steam deflector for safe steam injection
- special 2-part brass union for steam pipe connection - allows to quickly disconnect the pipeline at a later time, Ø 35 mm.
- water supply hose (not shown).

Includes descaling system:

- 5 l container for descaling liquid
- level probe for level control
- integrated pump inside the generator
- automatic descaling at pre-set intervals
- extends servicing intervals
- extends the service life of the generator

CE IPx4 MADE IN GERMANY 

Connection example



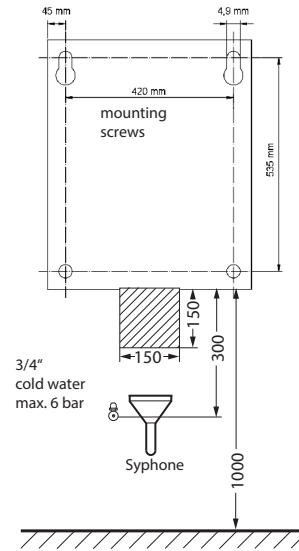
Technical specifications

Power range	Power supply	Connection mains - generator	Fuse protection
3.0 - 9 kW	400 V 3N 50/60 Hz AC	5 x 2.5 mm ²	3 x 16 A
12 - 18 kW		5 x 6 mm ²	3 x 35 A

All cross sections of cables are minimum diameters in mm² (copper wire).

Item no.	Power output	Steam output per hour	Dimensions H/W/D, mm	For cabin size	Net weight	Water supply	Water pressure (supply)	Steam output	Descaling system
94.5965	3.0 kW	6 kg	670 x 460 x 350	2 - 3 m ³	29 kg	3/4" outer thread	1 - 6 bar	1 1/4" outer thread	Integrated peristaltic pump, including 5 l container for cleaning liquid.
	6.0 kW	8 kg		3 - 5 m ³					
	9.0 kW	12 kg		5.5 - 10 m ³					
94.5968	12 kW	16 kg		9.5 - 12 m ³	31 kg				
	15 kW	20 kg		11.5 - 15 m ³					
	18 kW	24 kg		14.5 - 18 m ³					

Installation



Important notice:

The integrated descaling system may not fully replace an external softening system. By higher water hardness (>8° dH) an external descaling system is required.

By commercial operation a water softening system is required in either case.

Make sure to prove the local water quality in advance.

Regular inspections, incl. visual inspection of the water tank are required.

A liquid descaler (cleaner) is required for operation (not included, available as consumable item on request).

Make sure to observe the manual regarding the installation and planning of steam pipes.

Mounting:

SteamRock generator is designed for wall mounting. The steam generator may be mounted at the level of the steam room, above the steam room and also below the steam room.

During installation the steam pipe may be directed downwards (default) or also upwards.

An installation place for cleaner container under the generator should be provided.

Optional equipment

Description	Item no.
Descaler, 5 l	2001.4604
Air supply fan	2001.4401
Exhaust fan	2001.4402