



Technical data sheet

LED Control

Stand-alone control system for RGB led strips.

Universal stand-alone control system for RGB led strips. With a compact size wireless remote controller. Includes power adaptor and pre-mounted connection cable.

Ideal for EOS LED strips.

Features and benefits:

- Stand-alone type - does not depend on any other system
- 24 V DC output, dimmable (voltage based).
- Suitable for voltage-based RGB led strips with common “-”
- Includes a compact wireless remote controller with a large scope of direct colour selection buttons and functions
- Remote controller on radio signal basis - does need eye sight
- Includes 5 m pre-mounted cable with 6-pin connector
- Includes power adaptor 230V with mains cord
- Made in Germany quality from EOS

Specifications:

Power rating:	max. 100 W includes separate 230V power adaptor
Output:	24VDC, dimmable 0-100%, for LED strips with common “minus”
Colour system:	RGB (red/green/blue)
Control:	Wireless remote controller, radio signal based communication. Requires battery CR2032 type (included).
Ambient temperature	-10°C to 40°C <i>(unsuitable for corrosive or very humid atmosphere)</i>
Connection:	5 m connection cable with 6-pin plug
Size:	Main unit 140 x 120 x 70mm (L x W x H) Remote control 104x60x9 mm (L x W x H)

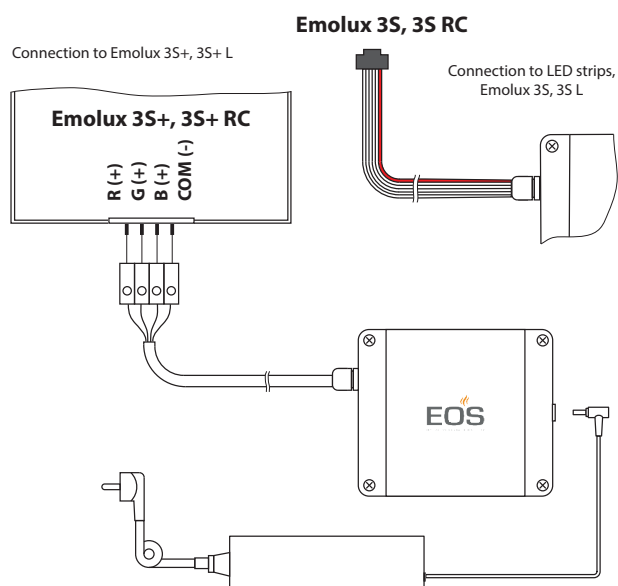


6-pin connector connection example



MADE IN GERMANY 

Connection overview



Models

The LED Control system is available as a version for RGB led strips and Emolux 3S led panels. This version has a 5 m pre-mounted connection cable with a 6-pin plug.

Alternatively the LED Control is also available as a version for Emolux 3S+ led panels or other LED systems. This version is fitted with a 5 m pre-mounted cable with 4 loose contacts (3 x "plus" and 1 x "minus").

Installation

Outside sauna cabin in any suitable place, e.g. on the sauna roof or in an adjacent plant room.

No direct eyesight is needed for signal transmission to the wireless remote controller. However the action radius may be influenced (reduced) by obstacles, such as room walls or similar.

In such case the suitable installation position needs to be tested on site.

Unsuitable for very humid or corrosive environment.

The power adaptor may get warm during operation.

Item no.	Type	Power output	Power supply	Voltage output	Dimensions, mm L x W x H	Ambient temperature	Weight without packing
94.6639	For led strips / Emolux 3S	max. 100 W	230 V 1N AC 50Hz	24 V DC, dimmable	main unit 140 x 120 x 70	-10°C to 40°C	1 kg
94.6638	For Emolux 3S+				remote 104 x 60 x 9		