



# Dimmer

## Dimmer unit for infrared radiators.

Dimmer for manual adjustment of the heating intensity of IR radiators. Especially suitable for Vitae quartz glass radiators.

### Features and advantages:

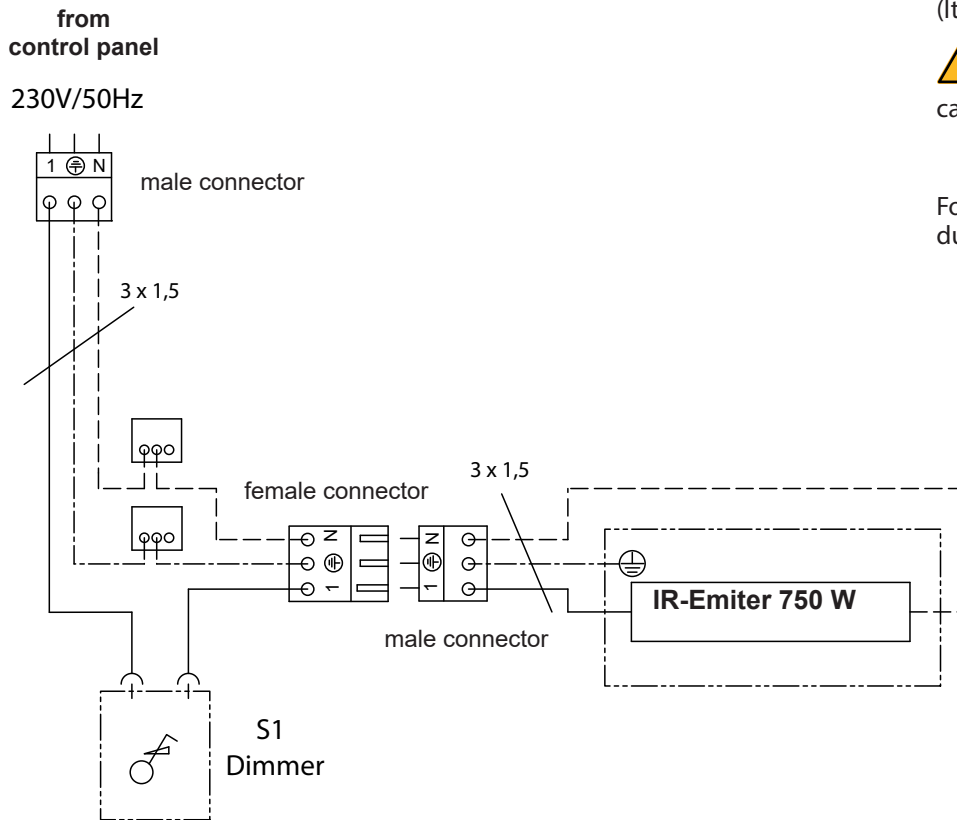
- For a quick adjustment of the heating intensity without having to leave the infrared cabin.
- Recessed installation, min. gap to the IR radiator 50 cm.
- Maximum load up to 1 kW.
- Available with matt black finish.

### Specifications:

Outer shell:	Matt black finish
Dimensions (H/W/D):	80 x 80 x 55 mm
Installation depth:	50 mm
Wall cut-out:	Ø 67 mm
min. gap to IR-emitter:	50 cm
Max. dimmable power:	1000 W



## Wiring diagram



To use more than one IR emitter, we recommend the Plug Adapter (Item no.: **94 7812**).

**!** Attention! Maximum switching capacity remains 1 kW

Following norms shall be observed during installation:

- EN 60335-1
- EN 60335-2-53
- VDE 0100 Part 703 (or applicable local norms)

## Technical specifications

Item no.	Outer shell	Dimensions (H x W x D)	Installation depth	Wall cut-out	Max. dimmable power
94 7467	Matt black finish	80 x 80 x 55 mm	50 mm	Ø 67 mm	1000 W