



EOS Econ i1

Control unit for infrared warming cabins. For residential and commercial use.

Electronic control unit for IR-cabins with LCD display with multi-language menu navigation.

Your advantages:

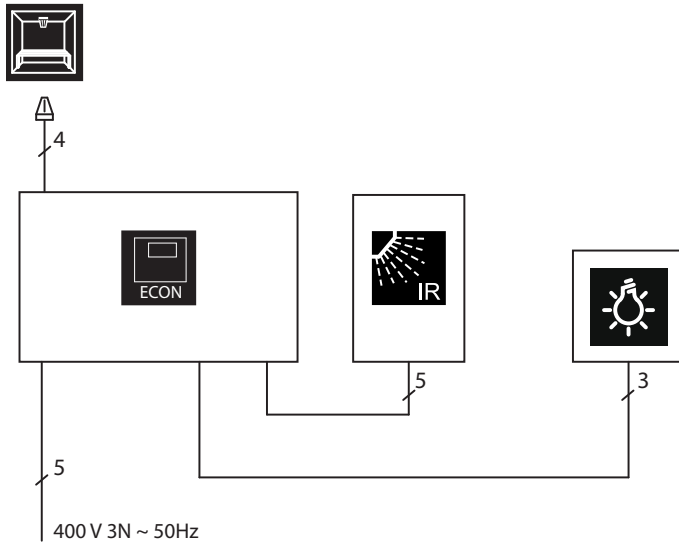
- Illuminated alpha-numeric multi line LCD display.
- Easy to use thanks to 12 language menu navigation.
- Fast, simple installation and setup.
- Slim housing design, only 58 mm thick.
- High power output - up to 9 kW switching capacity.
- Made in Germany quality from EOS.

Specifications and features:

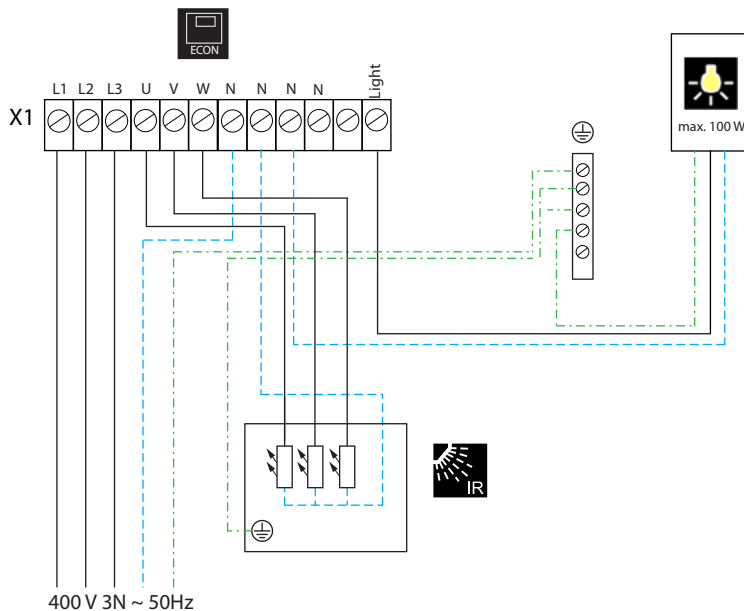
| | |
|----------------------|--|
| Housing: | plastic, pure white |
| Display: | LCD display 40 x 22 mm, multi-line, alphanumeric, with back-lighting |
| Menu navigation: | 12 languages (DE, EN, FR, ES, IT, NL, RU, PL, FI, SE, SLO, CZ) |
| Temperature control: | digital two-point |
| Heating time: | up to 12 hours |
| Temperature range: | 30 - 70 °C |
| Switching capacity: | up to 9 kW |
| Power supply: | 400 V 3N ~ 50 Hz |
| Installation: | wall-mounting or semi-recessed |
| Functions: | Temperature pre-selection, Output for cabin lighting (max. 100 W), Child lock (keypad lock), Error messages in clear text, Life-Guard, Data retention by power loss (24 h), „Switch-Off“ switch. |



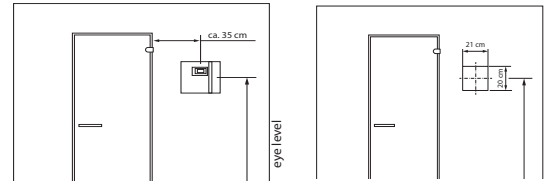
Connection overview



Connection diagram

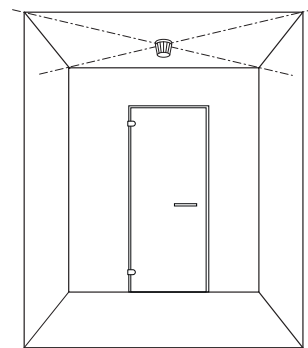


Installation



Wall cut-out (aperture) by semi-recessed mounting

Sensor installation



In the middle on the cabin ceiling

Spare parts and accessories

| Description | Item no. |
|-------------------------------|-----------|
| Temperature sensor, 2 m cable | 607570 |
| Main board | 2001 4879 |
| Button strip | 2001 4892 |
| Housing (upper side) | 2001 4891 |
| Housing (bottom side) | 2001 4890 |
| Display cover 1 (front) | 2001 4913 |
| Cover 2 (buttons) | 2001 4915 |
| Switch-Off rocker switch | 2001 3652 |

| Item no. | Electrical connection | Switching capacity | Power extension via LSG unit | Temperature control range | Heating time limitation | Dimensions H/W/D in cm | Ambient temperature in operation | Weight without packing |
|----------|-----------------------|-----------------------|------------------------------|---------------------------|-------------------------|------------------------|----------------------------------|------------------------|
| 94 5768 | 400 V 3N ~ 50Hz | 9,0 kW resistive load | no | 30 - 70 °C | 12 h | 22 / 25 / 6,7 | -10 to +40 °C | 1,0 kg |