



Technical data sheet

EOS IRS 40 RHK

Infrared radiator for IR warming- and sauna cabins. IR-B and IR-C range.

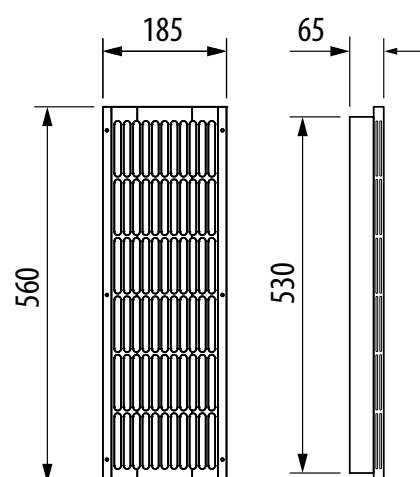
IR radiator for wall-mounting installation. Completely assembled with 3 m silicone coated cable, with Wieland type plug.

Your advantages:

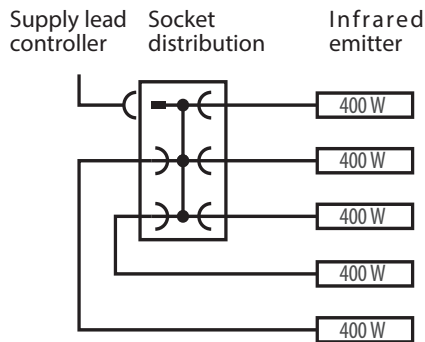
- Fast heat-up time
- With 400 W emitter (metal tube with magnesia oxide type)
- Medium-wave IR-B and long-wave IR-C range
- With reflector shield of polished aluminium, protective flocked safety grill and silicone coated cable
- Made in Germany quality from EOS

Technical Data:

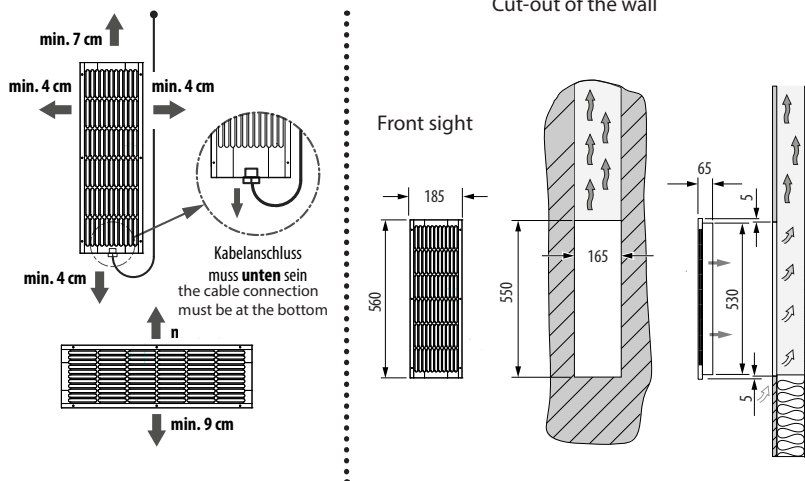
Casing:	electrolytic galvanised steel plate
Reflector:	polished aluminium
Covering grille:	with protective flock spray
Assembly:	horizontal or vertical, no ceiling suspension
Dimensions (HxWxD):	560 x 185 x 65 mm
Power input:	400 W
Power supply:	230 V N ~ 50 Hz
Weight:	approx. 2 kg



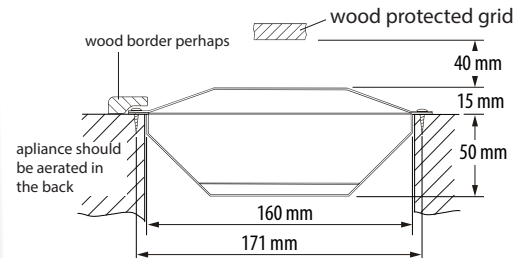
Connection diagram



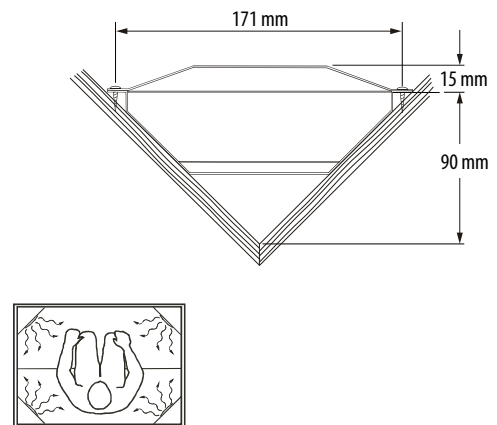
Installation



Vertical installation on cabin wall



Vertical installation in the cabin corners



Optional equipment

Description	Item no.
Heating element 400 W	2001 2864
Protective flocked safety grill	1347601
IR plug-in module + adapter cable (PVC 1,5 m)	94 7811
IR plug-in module + adapter cable (PVC 25 cm)	94 7812
IR connection line (SIHF 3 m)	94 7813
Corner facing	94 4566

Attention! Make sure to provide sufficient air circulation around the radiator. The space above the radiator must not be blocked, so that the warm air may rise freely. Risk of fire!

Item no.	electrical connection/ Power	Emitter	Surface temperature	Spectrum	Dimensions, HxWxD, in mm	Cut-out for mounting, in mm	Weight without packing	For operation with control units
94 1878	230 V N ~ 50 Hz / 300 W	Ceramic	400 - 600 °C	3-10 µm IR-C	560 x 185 x 65	550 x 165	approx. 2 kg	InfraTec Classic InfraTec Premium EmoTec IR InfraStyle