



Infratec Premium

Control unit for infrared cabins with 3 warming zones and dimming function

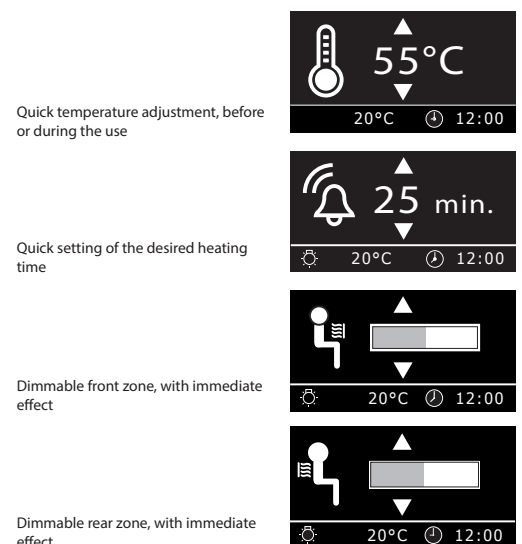
Electronic control unit for IR cabins with 3 separate warming zones and dimming. For private and commercial use.

Your benefits:

- Comfortable, simple operation thanks to the illuminated LCD display with multi-language menu navigation
- Suitable for all IR emitters (ceramic, tube, quartz, foils)
- Two individually dimmable zones and one switchable zone
- Compact flush-mounted control panel
- Made in Germany quality by EOS

Features:

Control panel:	plastic, anthracite pearl effect, with 2 deco strips, flush-mounted installation, inc. 2 m connection cable.
Main relay box:	plastic, creme wheite, wall-mounting
Display:	LCD, 41 x 22 mm, multiline, alphanumeric, with backlighting
Menu navigation:	5 languages (DE, EN, FR, ES, NL), with clear text messages
Temperature control:	digital two point, KTY sensor
Control range:	30 - 70°C (with sensor)
Warming zones:	2 dimmable zones, 1 switchable zone
Heating time:	0 - 99 min (private) / 0 - 12 h (commercial)
Power output:	max 3500 W
Power supply:	230 V 1N AC 50 Hz
Other features:	Output for cabin light (max. 100 W), Optional sensor for heating foils, Temperature control via main sensor or via individual zone dimming.

Quick temperature adjustment, before or during the use

Quick setting of the desired heating time

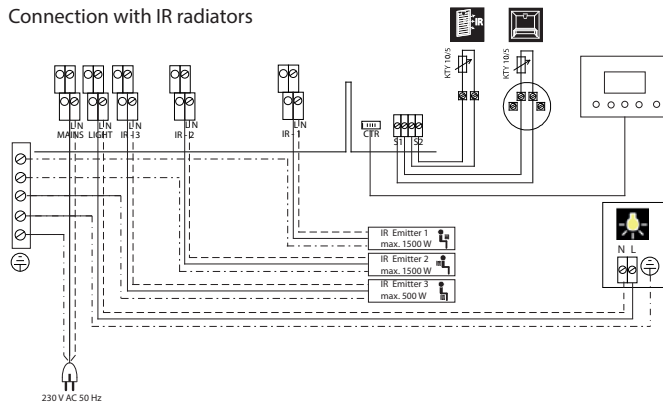
Dimmable front zone, with immediate effect

Dimmable rear zone, with immediate effect

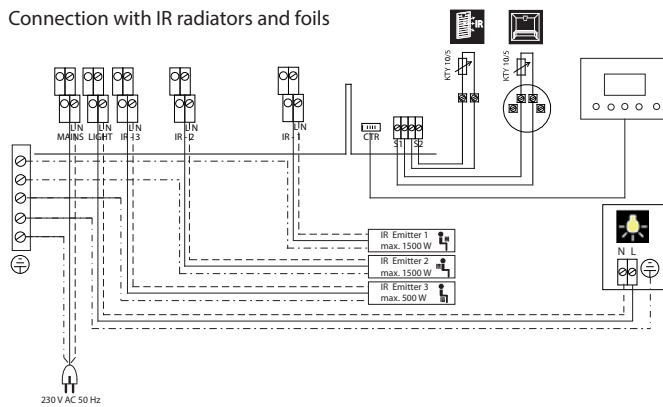
CE IPx4 MADE IN GERMANY

Connection diagram

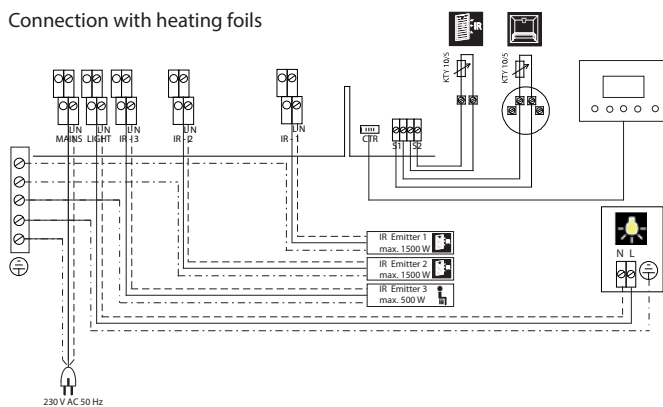
Connection with IR radiators



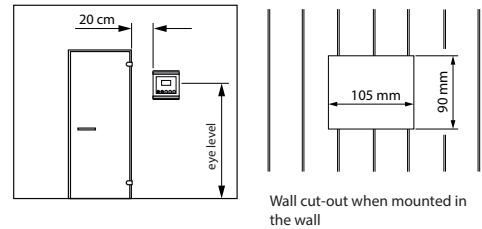
Connection with IR radiators and foils



Connection with heating foils

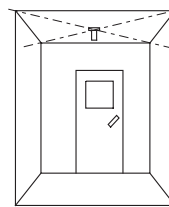


Installation

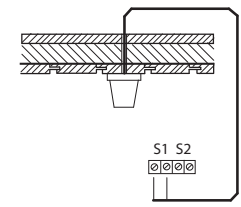


Sensor installation

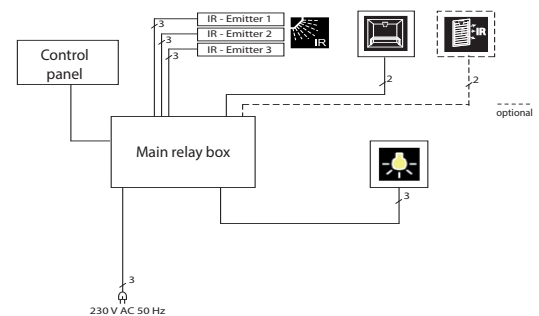
Installation place



Sensor mounting at the ceiling



Connection plan



Front:

Dimmable. IR radiators and foils, recommended power up to 1.500 W

Rear:

Dimmable. IR radiators and foils, recommended power up to 1.500 W

Feet:

Switchable. IR radiators, recommended power up to 500 W

NOTICE: the total power of all IR emitters in any combination may not exceed 3500 W.

Item no.	Electrical connection	Power	Fuse protection	Temperature control range	Heating time	Dimension H/W/D in mm	Ambient temperature during operation	Gewicht ohne Verpackung
94.5255	230 V 1N AC 50Hz	max 3,5 kW	16 A	30 - 70 °C	0 - 99 min or 0 - 12 h	130 x 118 x 23 mm control panel 240 x 230 x 70 mm relay box	-10 bis +60 °C control panel -10 bis +30 °C relay box	1,5 kg