

EOS Vitae+ Compact

Infrared radiator for IR warming cabins

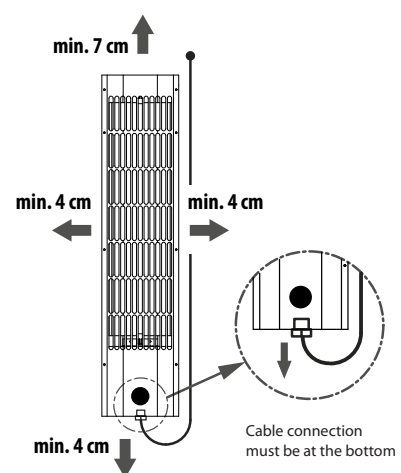
Full spectre IR heater with high-performance quartz glass emitter and a built-in dimmer. Complete kit with durable housing, protective grill and pre-mounted cable. For domestic and commercial use.

Your advantages:

- Full power output in less than one second.
- High heat intensity and wide coverage angle.
- Built-in dimmer allows fast and convenient adjustment of heat intensity (serves also as an on/off switch).
- Full spectre infrared radiation - IR-A, IR-B and IR-C.
- Special version with reduced height - 835 mm.
- Complete kit with durable stainless steel housing, polished aluminium reflector, protective grill and connection cable.
- Integrated inrush current limiter.
- Includes 3 m connection cable.
- Made in Germany quality by EOS.

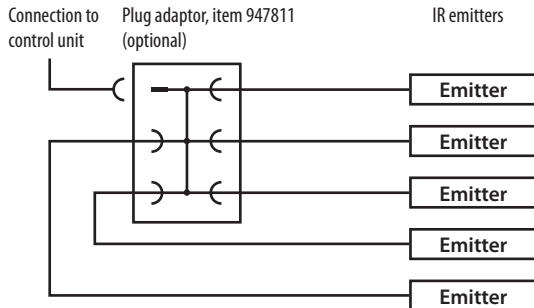
Features and specifications:

Housing:	Stainless steel
Reflector:	Polished aluminium
Front cover:	Protective aluminium grill with black flocking
Connection cable:	Silicone cable 3 x 1,5 mm ² , approx. 3 m
Dimensions (HxWxD):	835 x 185 x 60 mm
Power output:	350 W, 500 W, 750 W
Power supply:	230 V 1N ~ 50 Hz
Installation:	For cabin walls or corners. Notice: not for ceiling installation! Vertical mounting only!
Ambient temperatures:	• Storage -20°C to 50°C • Operation up to 70°C



Safety gaps to all combustible materials, e.g. wood.

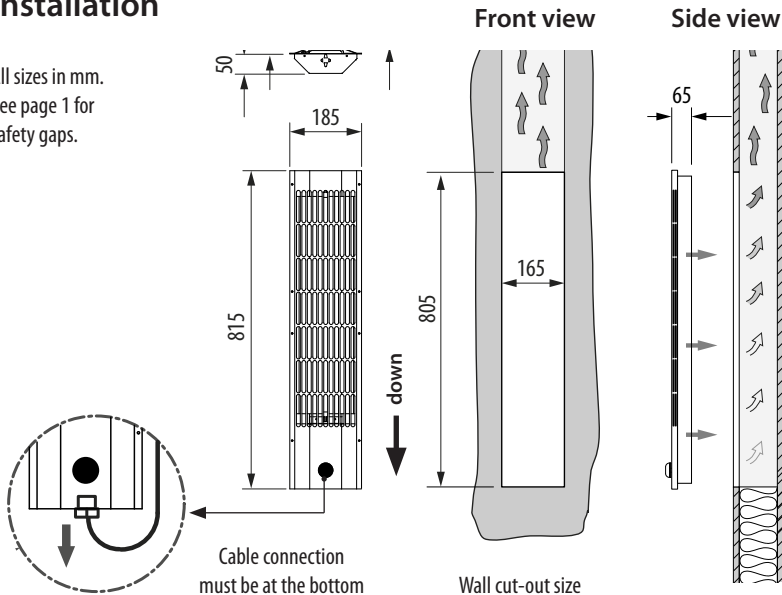
Connection example



By 750 W radiators max. 4 units (3500 W) possible by 16 A capable connection line. Plug adaptor 947811 - optional.

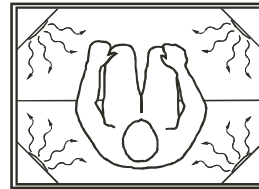
Installation

All sizes in mm.
See page 1 for safety gaps.



⚠ Risk of fire! Make sure to provide sufficient air circulation behind and above the heater. The space above the radiator must not be blocked, so that the warm air may rise freely. Do not install in the ceiling!
Make sure that the cable connection is at the bottom.

Installation hints



The emitters should be arranged so that the user is heated from as many directions as possible for a possibly even heat treatment.

An example given in the Fig. shows the installation in four corners by a single person cabin



Looking into the spotlight for too long can cause eye damage. In this case, wear suitable safety goggles.

Spare parts and accessories

Description	Item no.
Emitter Vitae 350 W	2001 3034
Emitter Vitae 500 W	2001 6710
Emitter Vitae 750 W	2001 6625
Triangle cover for corners	94 4566
Protective grill, black flocking	2001 6262
Plug adaptor	94 7811



IR plug adaptor with 6 connectors, item no. 94 7811
Joins up to 5 heaters into one group.



Cover panel for corner installation, item no. 94 4566

Technische Daten

Item no.	Power output	Power supply	IR emitter	IR spectre	Dimintions, HxWxD	Wall aperture	Weight without packing	Suitable control units
94 2865	350 W	230 V 1N ~ 50 Hz	Vitae quartz glass emitter	0,8 - 10 µm IR-A IR-B IR-C	835 x 185 x 60 mm	165 x 825 mm	approx. 2,5 kg	InfraTec Classic InfraTec Premium EmoTec IR InfraStyle SBM-IR modules
94 2576	500 W							
94 2577	750 W							