



Technical data sheet

Vitae protect

Infrared radiator for IR warming- and sauna cabins

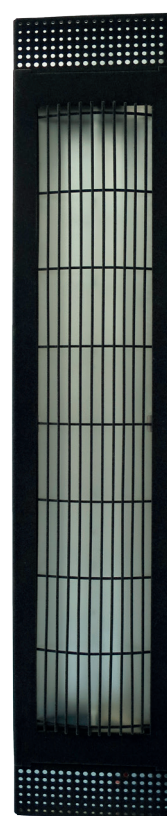
Full spectre IR radiator with high-performance quartz glass emitter. Completely with durable housing, protective grill and pre-mounted cable. For domestic and commercial use.

Your advantages:

- Full power in less than one second
- High intensity and wide coverage angle
- Full spectre infrared radiation - IR-A, IR-B and IR-C
- Can be dimmed with appropriate control systems
- Available in 3 power outputs: 350 W, 500 W, 750 W
- Completely pre-mounted with durable stainless steel housing, polished aluminium reflector, glass ceramic pane and protective grill
- With the integrated filter against power jump effect by cold switching
- Including 3 m silicone cable
- Made in Germany quality by EOS

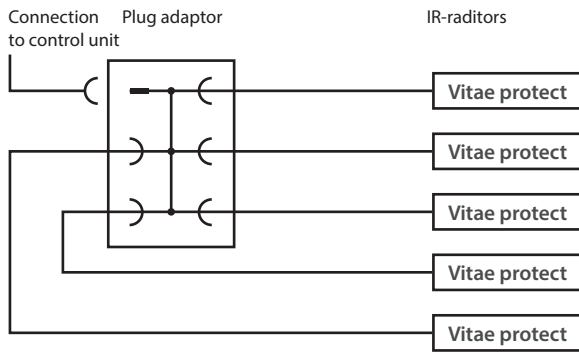
Features and specifications:

Housing:	Stainless steell
Reflector:	aluminium stucco
Pane:	glass ceramic
Cover:	Protective grill, aluminium, with black flocking
Connection cable:	Silicone cable 3x1,5 mm ² , approx. 3 m, with Wieland type plug
Dimensions (HxWxD):	985 x 200 x 60 mm
Power output:	350 W, 500 W, 750 W
Power supply:	230V 1N AC 50 Hz
Installation:	In the cabin side walls or corners, vertically or horizontally. No ceiling installation permitted!



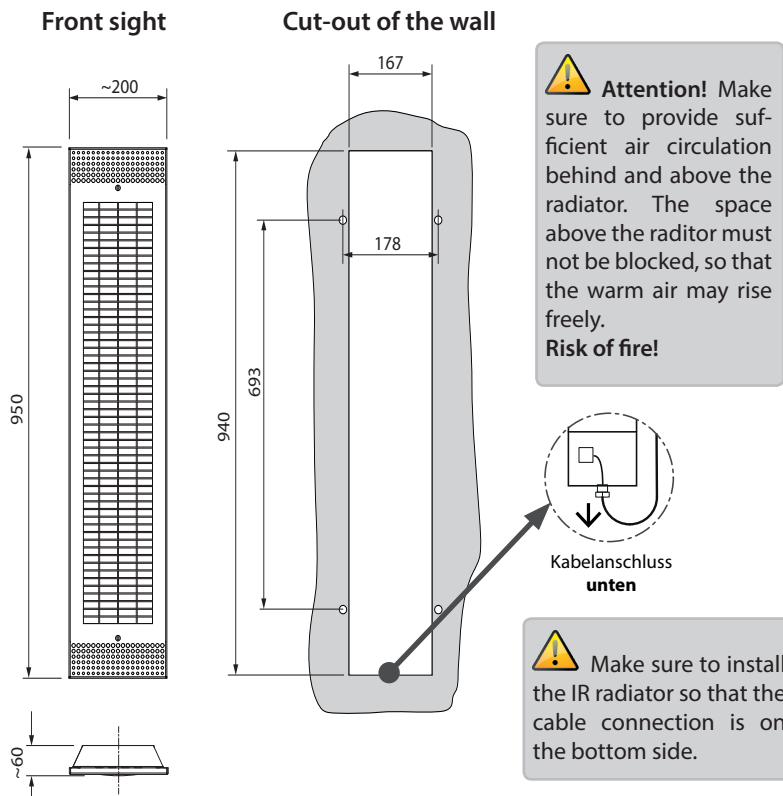
CE IPx4 MADE IN GERMANY 

Connection overview



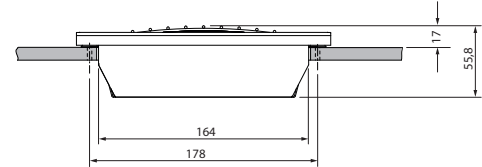
By 750 W radiators max. 4 units (3500W) possible by 16 A capable connection line.

Installation

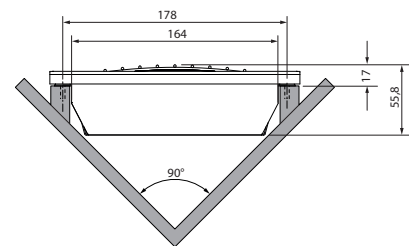


Installation hints

Vertical installation on cabin wall

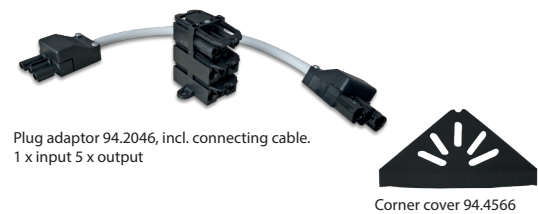


Vertical installation in the cabin corner



Spare parts and accessories

Description	Item no.
Emitter Vitae 350 W	2001.3034
Emitter Vitae 500 W	2001.2814
Emitter Vitae 750 W	2001.2815
Cover, black flocking	20015972
Protective grill, black flocking	20015973
Glass ceramic pane	20014883
Plug adaptor	94.2046
Corner cover	94.4566



Technical specifications

Item no. with grid / without grid	Power supply	Power output	IR emitter	Spektrum	Dimensions, HxWxD	Weight without packing	Suitable control units
94.6502 / 94.6572	230V 1N AC 50 Hz	350 W	Vitae quartz glass emitter	0,8 - 10 µm IR-A IR-B IR-C	950 x 200 x 60 mm	2,5 / 2,0 kg	Infratec Classic Infratec Premium InfraTouch I AF
94.5450 / 94.6573		500 W					
94.5451 / 94.6574		750 W					