



Technical data sheet

Corona S25

Sauna heater for domestic and commercial saunas. Floor-standing model.

Exclusive sauna heater for the dry Finnish sauna in distinctive design with the massive soap-stone front.

Thanks to the flat rear wall with the recessed terminal box Corona S25 is great for installation in front of glass walls.

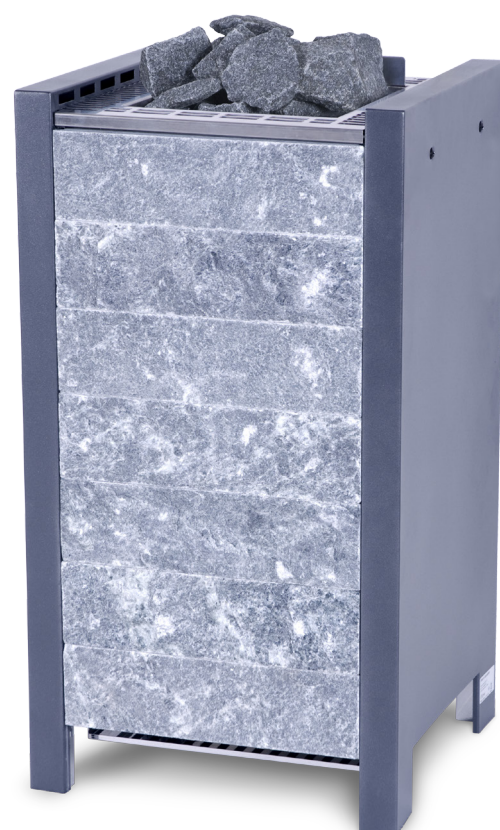
Corona S25 can be alternatively selected also with the integrated vaporizer.

Your advantages:

- Exclusive design with the massive soap-stone front and anthracite pearl effect coated side panels
- Durable, long-lasting construction, all made of stainless steel
- Large 25 kg rock store for optimal heat storage and effective water evaporation
- Slim, place-saving construction - only 40 x 42,5 cm size
- Easy to service, rock store above heating elements
- Made in Germany quality from EOS

Specifications:

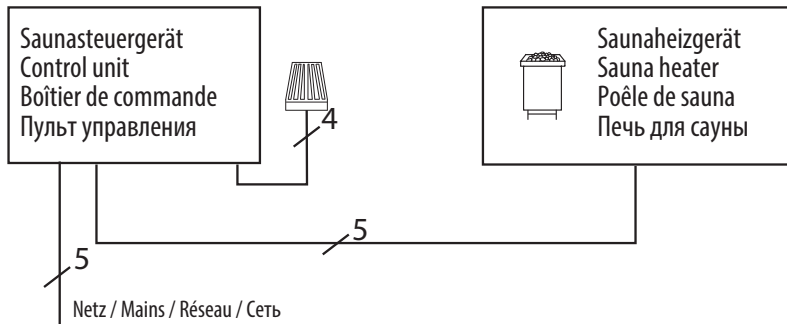
Outer shell:	Stainless steel, anthracite pearl-effect
Front:	Massive natural soap-stone
Inner shell:	Stainless steel
Rock store:	Stainless steel, above heating elements
Terminal box:	Stainless steel, recessed in rear wall
Power range:	7,5 and 9 kW
Power supply:	400 V 3N AC 50 Hz
Dimensions:	75 x 40 x 42,5 cm
Stone filling:	25 kg, incl. in delivery
Installation:	Floor-standing



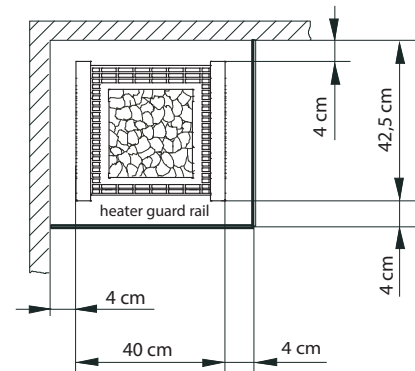
CE IPx4 MADE IN GERMANY 

Connection diagram

7,5 - 9,0 kW



Minimum clearances



Minimal inner sauna cabin height 190 cm.

Suitable control units

Model	Item no.
Econ D1	94.5202
Econ D2	94.5204
Econ D3	94.5549
ECON D4	94.5842
Emotec D	94.5559
EmoTouch II Plus	94.5561

Technical specifications

Power	Electrical connection	Connection mains - control unit	Connection control unit - heater
7.5 kW	3N AC 50 Hz 400 V	5 x 2.5 mm ²	5 x 1.5 mm ²
9.0 kW			

All cross sections of connection cables are minimum diameters in mm² (copper wire).

Spare heating elements

Description	Item no.
For 7.5 kW (5 x 1500 W)	2000.8085
For 9.0 kW (6 x 1500 W)	2000.8085

Item no.	Power	Design	Fuse protection control unit	Dimensions H/W/D, in cm	For sauna cabin size	Min. size air inlet and outlet	Weight withouth rocks	Stone filling	Power extension required
94.4582	7.5 kW	Anthracite pearl / soap stone front side	3 x 16 A	75 / 40 / 42,5	8 - 12 m ³	35 x 5 cm	50 kg	25 kg	no
94.4583	9.0 kW				10 - 14 m ³	35 x 6 cm			