



# EOS Stone S60

## Sauna heater for domestic and commercial saunas. Floor-standing model.

Exclusive sauna heater for the dry Finnish sauna in distinctive straight-lined design with the massive soap-stone front. Up to 60 kg large rock store ensures excellent heat storage capacity and a rich, mellow steam.

Thanks to the optional rear side panel this heater may be installed in front of glass panels or in the middle of the sauna. EOS Stone S60 is also available with an integrated vaporizer.

### Your advantages:

- Exclusive design with the massive soap-stone front and anthracite pearl effect coated side panels
- Durable, long-lasting construction, all made of stainless steel
- Large 60 kg rock store for optimal heat storage and effective water evaporation
- Compact footprint – only 51 x 53 cm size
- Easy to service, rock store above heating elements
- Made in Germany quality from EOS

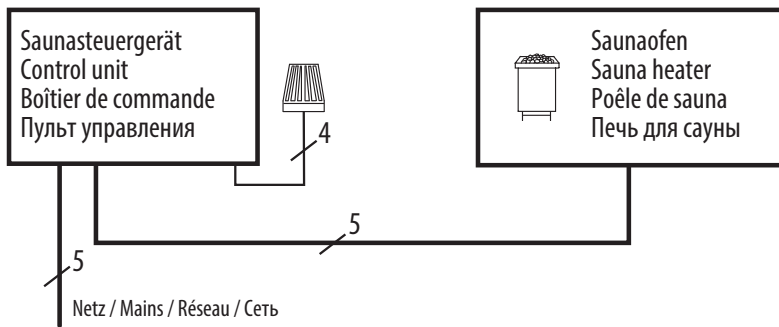
### Specifications:

Outer shell:	Stainless steel, anthracite pearl-effect
Front:	Massive natural soap-stone
Inner shell:	Stainless steel
Rock store:	Stainless steel, above heating elements
Terminal box:	Stainless steel, recessed in rear wall
Power range:	9.0, 12.0 and 15.0 kW
Power supply:	400 V 3N ~ 50 Hz
Dimensions:	85 x 51 x 53 cm
Stone filling:	60 kg (Sauna stones optional)
Installation:	Floor-standing

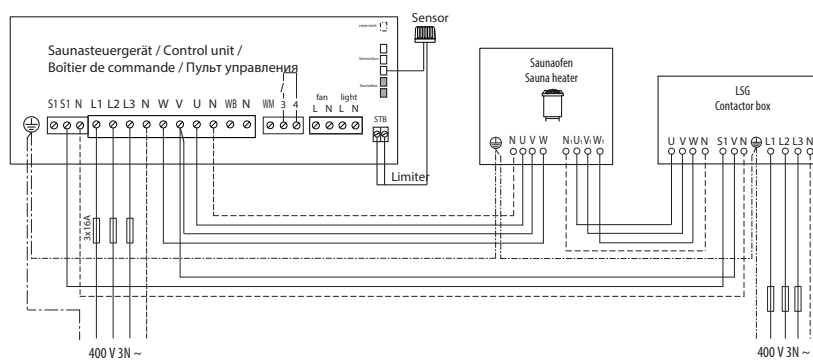


## Connection diagram

9,0 kW



12,0 - 15,0 kW

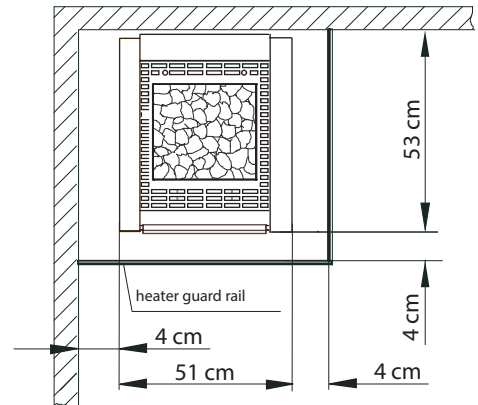


## Technical specifications

Power output	Electrical connection	Connection mains - control unit	Connection control unit - heater	Connection mains - LSG	Connection LSG - heater	Connection control unit - LSG unit
9,0 kW	400 V 3N ~ 50 Hz	5 x 2,5 mm <sup>2</sup>	5 x 1,5 mm <sup>2</sup>	--	--	--
12,0 kW				5 x 2,5 mm <sup>2</sup>	5 x 1,5 mm <sup>2</sup>	4 x 1,5 mm <sup>2</sup>
15,0 kW				5 x 2,5 mm <sup>2</sup>	5 x 1,5 mm <sup>2</sup>	4 x 1,5 mm <sup>2</sup>

All cross sections of a line are minimum diameters in mm<sup>2</sup> (copper wire).

## Minimum clearances



Minimal inner sauna cabin height 190 cm.

## Suitable control units

### Model

EOS Compact D series

EOS EmoTec D series

EOS EmoStyle D / Hi series

EOS EmoTouch 3 series

## Spare heating elements

Description	Item no.
For 9.0 kW (9 x 1000 W)	2001 1599
For 12.0 kW (9 x 1333 W)	2001 1598
For 15.0 kW (9 x 1666 W)	2001 3763

Item no.	Power output	Electrical connection	Fuse protection control unit	Fuse protection LSG unit	Dimensions H/W/D, in cm	For sauna cabin size	Min. size of air inlet and outlet	Weight without rocks	Stone filling	Power extension required
94 4616	9,0 kW	400 V 3N ~ 50 Hz	3 x 16 A	--	85 / 51 / 53	9 - 14 m <sup>3</sup>	35 x 6 cm	50 kg	60 kg	no
94 4586	12,0 kW			3 x 16 A		14 - 18 m <sup>3</sup>	35 x 7 cm			LSG 10
94 4587	15,0 kW			3 x 16 A		18 - 25 m <sup>3</sup>	35 x 9 cm			