

FWA 02 Compact

Permanent water connection for S-Line ... S60 vapor sauna heaters

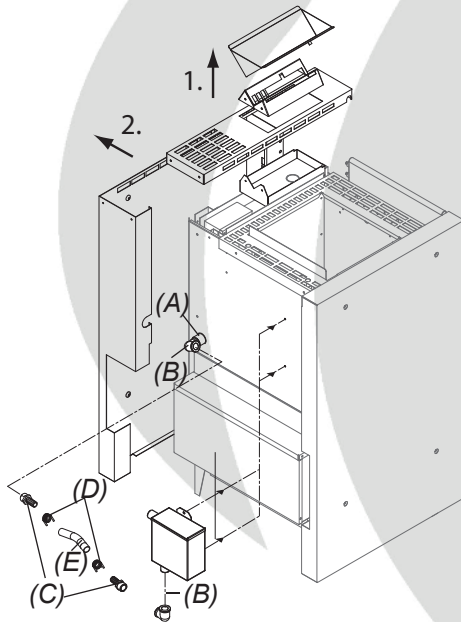
Permanent water connection for retrofitting to a S-Line heater with vapo-riser for the automatic filling of the vaporiser from the mains water supply. The permanent water connection is fitted at the back.

Technical data

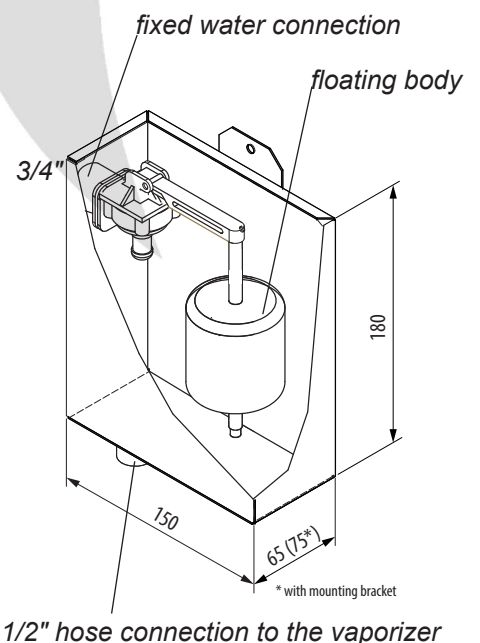
- Art.No.: 94.4846
- Material: chrome nickel steel
- Height: 180 mm
- Width: 150 mm
- Depth: 75 mm
- Fill-up quantity: approx. 1.2 litre
- Connection pressure: 6 - max. 10bar
- If the value of the connection pressure is above 10 bar, a pressure reducer has to be used.
- Fixed water connection: 3/4"
- For use with S-LineS60 vapor sauna heaters



CE
MADE IN GERMANY



- (A) = Pipe extension 1/2" 20mm long
- (B) = Fitting angle 1/2" ii 90°
- (C) = Hose connector 1/2" v 13 MS
- (D) = Hose clamp Ø 17,3 mm
- (E) = Silicone hose



Important information:

The rules of the EN 1717 as well as the DIN 1988 part 4 are to respect. It is important to prevent that the water can't flow back into the drinking watermanagement-system. Pipe or system separator are suitable for example. Please ask your drinking water supplier or in a authorised sanitary specialised trade if necessary.

Subject to technical modifications