



Technical data sheet

Herkules S25 vapor

Sauna heater for domestic and commercial saunas. Floor-standing model.

Exclusive sauna heater with integrated vaporizer for dry and humid sauna operation in distinctive cubistic straight-lined design.

The built-in vaporizer allows flexible climate forms - from dry & hot to mild & humid, herbal bath and others.

Your advantages:

- Exclusive design with the brushed stainless steel front and anthracite pearl effect powder coated side panels
- Durable, long-lasting construction, all made of stainless steel
- Built-in 2 kW vaporizer with essences and herbs holder
- Large 25 kg rock store for optimal heat storage
- No direct contact between stones and heating elements - for improved air convection and easy service
- Slim, place-saving construction - only 40 x 42,5 cm size
- Made in Germany quality from EOS

Specifications:

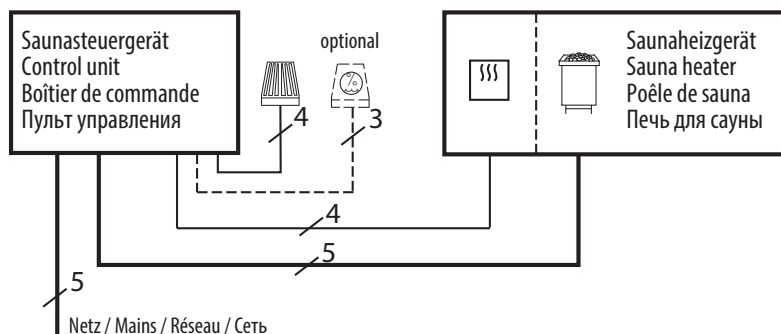
Outer shell:	Stainless steel, anthracite pearl-effect
Front:	Brushed stainless steel
Inner shell:	Stainless steel
Rock store:	Stainless steel, above heating elements
Terminal box:	Stainless steel, recessed in rear wall
Vaporizer:	2 kW 230V, manual filling, 5 l tank (right-hand side), with drain valve.
Power range:	7,5 and 9 kW
Power supply:	400 V 3N AC 50 Hz
Dimensions:	75 x 40 x 42,5 cm
Stone filling:	25 kg, incl. in delivery
Installation:	Floor-standing



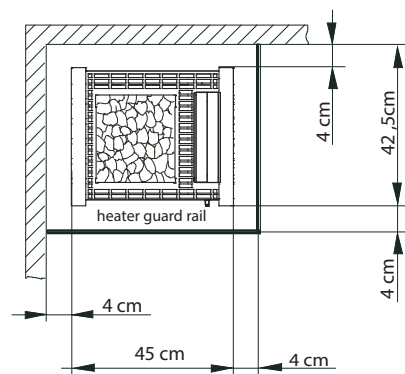
CE IPx4 MADE IN GERMANY

Connection diagram

7,5 - 9,0 kW



Minimum clearances



Minimal inner sauna cabin height 190 cm.

Suitable control units

Model	Item no.
Econ H1	94.5203
Econ H2	94.5205
Econ H3	94.5550
ECON H4	94.5843
Emotec H	94.5560
EmoTouch II Plus	94.5561

Technical specifications

Power	Electrical connection	Connection mains - control unit	Connection control unit - heater
7.5 kW	3N AC 50 Hz 400 V	5 x 2.5 mm ²	5 x 1.5 mm ² (heater)
9.0 kW			4 x 1,5 mm ² (vaporizer)

All cross sections of connection cables are minimum diameters in mm² (copper wire).

Spare heating elements

Description	Item no.
For 7.5 kW (5 x 1500 W)	2000.8085
For 9.0 kW (6 x 1500 W)	2000.8085
For vaporizer (1 x 2000W)	2001.4330

Item no.	Power	Vaporizer	Design	Fuse protection control unit	Dimensions H/W/D, in cm	For sauna cabin size	Min. size air inlet and outlet	Weight without rocks	Stone filling	Power extension required
94.4324	7.5 kW	2,0 kW / 5 l tank	Anthracite pearl effect sides / brushed stainless steel front	3 x 16 A	75 / 45 / 38,5	8 - 12 m ³	35 x 5 cm	30 kg	25 kg	no
94.4325	9.0 kW					10 - 14 m ³	35 x 6 cm			