



EOS Herkules S60 Vapor

Sauna heater for domestic and commercial saunas. Floor-standing model.

Exclusive sauna heater with integrated vaporizer for dry and humid sauna operation in distinctive cubistic straight-lined design.

Thanks to the optional rear side panel S60 models may be installed in front of glass panels or in the middle of the sauna. The built-in vaporizer allows flexible climate forms – from dry and hot to mild and humid, herbal bath and others.

Your advantages:

- Exclusive design with the brushed stainless steel front and anthracite pearl effect coated side panels
- Integrated vaporizer for flexible climate forms
- Also available with elegant matt black finish
- Large 60 kg rock store for optimal heat storage and effective water evaporation
- Easy to service, rock store above heating elements
- Made in Germany quality from EOS

Specifications:

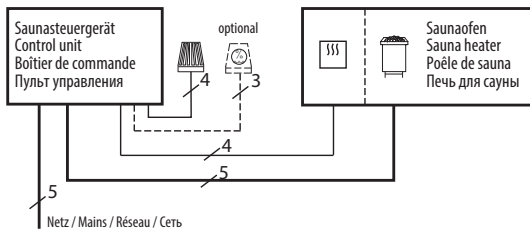
Outer shell:	Stainless steel, anthracite pearl-effect
Front:	Brushed stainless steel, with deco rail made of Abachi wood
Inner shell:	Stainless steel
Rock store:	Stainless steel, above heating elements
Vaporizer:	2 kW 230 V, manual filling, 8 l tank (right-hand side), with drain valve.
Terminal box:	Stainless steel, recessed in rear wall
Power range:	9.0, 12.0 and 15.0 kW
Power supply:	400 V 3N ~ 50 Hz
Dimensions:	85 x 53 x 53 cm
Stone filling:	60 kg (Sauna stones optional)
Installation:	Floor-standing



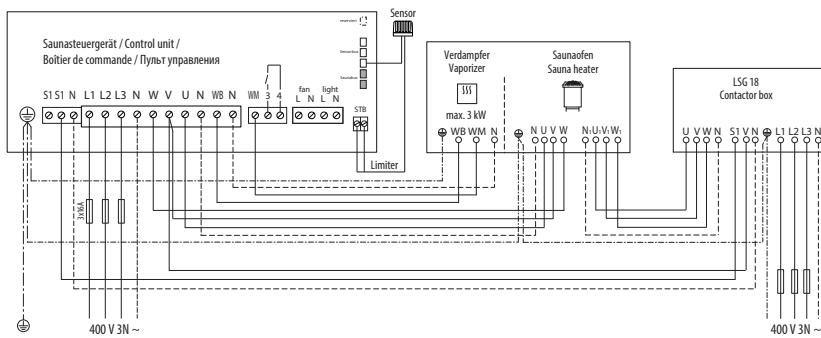
Also available with elegant matt black finish.

Connection diagram

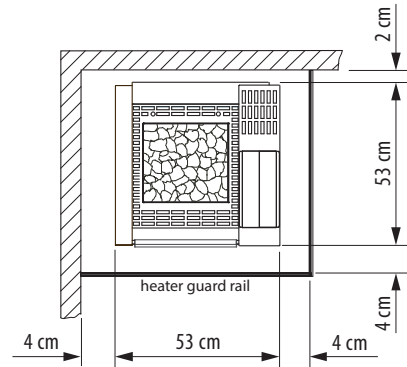
9,0 kW



12,0 - 15,0 kW



Minimum clearances



Minimal inner sauna cabin height 190 cm.

Spare heating elements

Description	Item no.
For 9.0 kW (9 x 1000 W)	2001 1599
For 12.0 kW (9 x 1333 W)	2001 1598
For 15.0 kW (9 x 1333 W)	2001 3763

Suitable control units

Model
EOS Compact H series
EOS EmoTec H series
EOS EmoStyle H / Hi series
EOS EmoTouch 3 series

Technical specifications

Capacity acc. DIN	Electrical Connection	Fuse protection control unit in A	Fuse protection LSG in A	Connection cable mains - control unit in mm ²	Connection cable mains - LSG in mm ²	Connection cable control unit - heater in mm ²	Connection cable LSG - heater in mm ²	Connection cable control unit - LSG in mm ²
9,0 kW	400 V 3N ~ 50 Hz	3 x 16 A	--	--	--	5 x 1,5 mm ²	--	--
12,0 kW			3 x 16 A	5 x 2,5 mm ²	5 x 2,5 mm ²	& 4 x 1,5 mm ²	5 x 1,5 mm ²	4 x 1,5 mm ²
15,0 kW			3 x 16 A	5 x 2,5 mm ²	5 x 2,5 mm ²	4 x 1,5 mm ²	5 x 1,5 mm ²	4 x 1,5 mm ²

All cross sections of a line are minimum diameters in mm² (copper wire)

Item no.	Exterior	Capacity acc. DIN	Vaporizer	Heater dimensions H/W/D cm	For cabin size	Minimum dimensions of air intake and exhaust vents	Weight without stones without package	Stone filling	Power extension unit (LSG) needed
94 4494 / 94 7676*	Brushed stainless steel front, anthracite pearleffect coated sides or completely in matt black finish*	9,0 kW	2,0 kW 8 L	85 / 53 / 53	9 - 14 m ³	35 x 6 cm	53 kg	60 kg	no
94 4270 / 94 7677*		12,0 kW			14 - 18 m ³	35 x 7 cm			LSG 10
94 4271 / 94 7678*		15,0 kW			18 - 25 m ³	35 x 9 cm			