



Technical data sheet

# Shark

## Sauna heater for commercial saunas. Floor-standing model.

Exclusive sauna heater in distinctive round design with fin-like upper part of the rock store. For commercial use. Ideal for placement in front of glass walls or in the centre of the sauna.

Stylish round-shape wooden guard rail optionally available.

### Your advantages:

- Unique state-of-art design.
- 50-55 kg sauna stone volume for the perfect "loylu" effect.
- Ideal for placement in front of glass walls or in the centre of the sauna.
- Durable construction of stainless steel.
- Exclusive guard rail in matching design as an option, available in various wood sorts.
- Made in Germany quality from EOS.

### Specifications:

Outer shell:	Stainless steel
Top:	Stainless steel
Base:	Stainless steel
Sides:	Stainless steel with anthracite pearl effect powder coating, scratch resistant
Terminal box:	Stainless steel, integrated in the base
Power range:	12, 15, 18, 21 und 24 kW
Power supply:	400 V 3N AC 50 Hz
Stone filling:	50-55 kg (stone size 100-150 mm)
Dimensions:	Ø 70 x 93,5 cm
Installation:	Floor-standing



Solid wood safety guard rail, round-shape, without mounting brackets

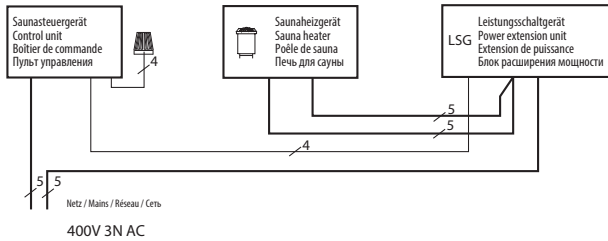
Model	Art.-Nr.	Model	Item no.
360° Abachi	94.6606	360° Polar Pine	94.6604
270° Abachi	94.6605	270° Polar Pine	94.6603
360° Walnut	94.6598	360° Swiss stone pine	94.6602
270° Walnut	94.6597	270° Swiss stone pine	94.6601
360° Hemlock	94.6608	360° Acer	94.6600
270° Hemlock	94.6607	270° Acer	94.6599



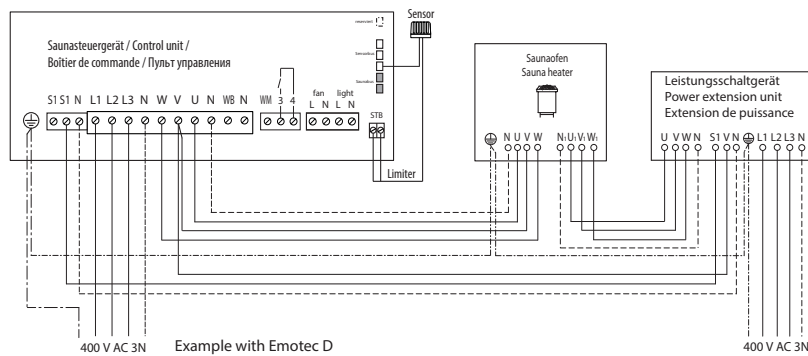
MADE IN GERMANY 

### Connection overview and diagram

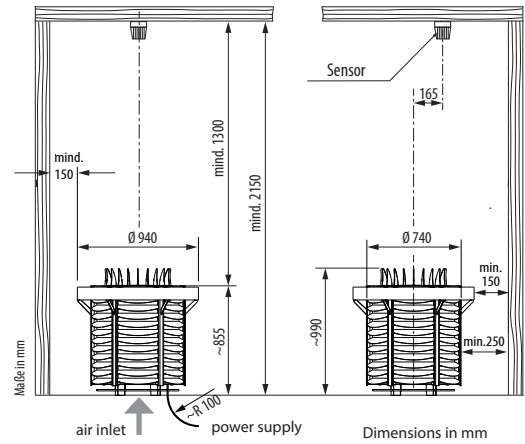
12,0 - 24,0 kW



12,0 - 24,0 kW



### Safety gaps and sensor position



### Spare heating elements

Description	Item no.
For 12,0 kW (6 x 2000 W)	2001.3931
For 15,0 kW (6 x 2500 W)	2001.5943
For 18,0 kW (6 x 3000 W)	2001.5944
For 21,0 kW (7 x 3000 W)	2001.5944
For 24,0 kW (8 x 3000 W)	2001.5944

### Technical specifications

Power output	Electrical connection	Connection mains - control unit	Connection control unit - heater	Connection mains - LSG	Connection LSG - heater	Connection control unit - LSG unit
12,0 kW	3N AC 50 Hz 400 V	5 x 2,5 mm <sup>2</sup>	5 x 1,5 mm <sup>2</sup>	5 x 2,5 mm <sup>2</sup>	5 x 1,5 mm <sup>2</sup>	4 x 1,5 mm <sup>2</sup>
15,0 kW						
18,0 kW				5 x 6 mm <sup>2</sup>	5 x 6 mm <sup>2</sup>	
21,0 kW						
24,0 kW						

All cross sections of a line are minimum diameters in mm<sup>2</sup> (copper wire).

### Suitable control units

Model	Item no.
Econ D2	94.6138
Econ D3	94.6140
Econ D4	94.5842
Emotec D	94.5559
EmoStyle D weiss	94.6316

Power extension unit (e.g. L09R, LSG18) is required for 12 - 24 kW heaters.

Item no.	Power output	Fuse protection control unit	Fuse protection LSG unit	Dimensions D x H, in cm	For sauna cabin size	Min. size of air inlet and outlet	Net weight (no stones)	Stone filling	Power extension required
94.6497	12,0 kW	3 x 16 A	3 x 16 A	Ø 74 x 99	14-18 m <sup>3</sup>	50 x 6 cm	110 kg	50 - 55 kg	yes
94.6498	15,0 kW				18 - 25 m <sup>3</sup>	50 x 6 cm			
94.6499	18,0 kW				24-34 m <sup>3</sup>	50 x 8 cm			
94.6500	21,0 kW				24-34 m <sup>3</sup>	50 x 8 cm			
94.6501	24,0 kW				35-40 m <sup>3</sup>	50 x 8 cm			