



EOS 34.G HD

Sauna heater for heavy-duty commercial operation. Floor-standing model.

High-performance sauna heater for the Finnish (dry) sauna. Designed for very demanding commercial operation in large sauna cabins. Reinforced extra strong construction of stainless steel for reliable long-life operation.

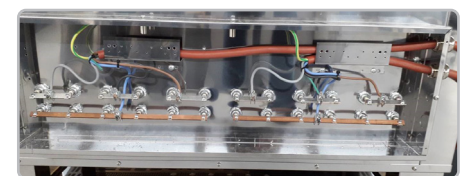
Copper rails as standard inner wiring make the 34.G HD perfectly suitable for saunas with particularly intensive use.

Your advantages:

- High-performance heater for heavy-duty commercial use with the internal wiring as massive copper rails.
- Reinforced construction, all made of stainless steel.
- Optimal relation between stone volume and air convection system for fast heat-up times and powerful water infusions.
- Additional 30 - 45 kg stone volume with an optional frame (item no. 94 4000 for size 1 and item no. 94 4001 for size 2).
- Made in Germany quality from EOS.

Specifications:

Outer shell:	Stainless steel, blank polished
Top:	Stainless steel
Rear wall:	Stainless steel
Rock store:	Stainless steel, above heating elements
Terminal box:	Stainless steel, at the rear side, with special ceramic terminals
Power range:	15, 18, 21, 24, 27, 30 and 36 kW
Power supply:	400 V 3N ~ 50 Hz
Stone filling:	approx. 30 kg / approx. 45 kg (Sauna stones optionally available)
Dimensions (HxWxD):	95 x 75 x 53 cm / 95 x 100 x 53 cm
Installation:	Floor-standing model



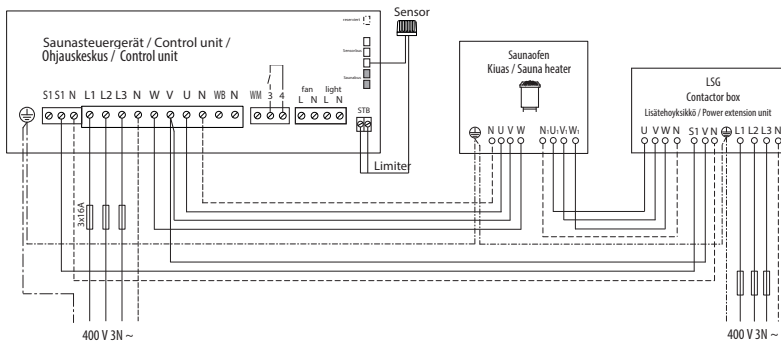
Terminal box of 34.G HD: Heavy-duty version with the internal wiring as massive copper rails



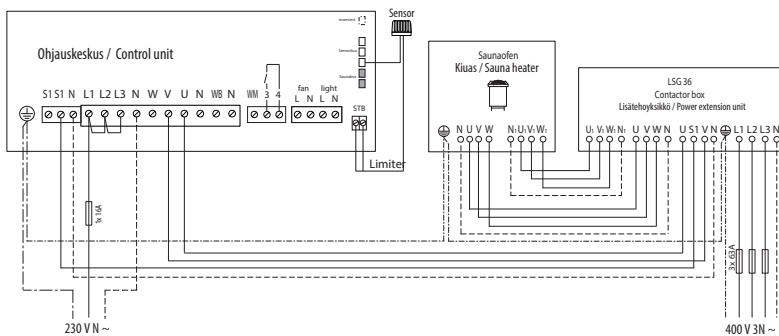
Optional stack frame for additional 30 - 45 kg sauna stones. Optional cover protection rail with direct mounting on the heater.

Connection diagram

24 - 27 kW with load distribution between control unit and power extension unit



30 - 36 kW without load distribution



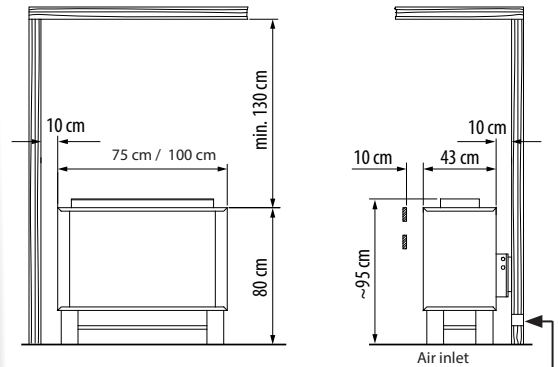
Technical specifications

Power output	Electrical connection	Connection mains - control unit	Connection control unit - heater	Connection mains - LSG	Connection LSG - heater	Connection control unit - LSG unit
15 kW / 18 kW	400 V 3N ~ 50 Hz	5 x 2,5 mm ²	5 x 1,5 mm ²	5 x 2,5 mm ²	5 x 1,5 mm ²	4 x 1,5 mm ²
21 kW				5 x 6 mm ²	5 x 6 mm ²	
24 kW / 27 kW				5 x 6 mm ²	5 x 6 mm ²	
30 kW		3 x 1,5 mm ²	--	5 x 10 mm ²	2 St. 5 x 6 mm ²	
36 kW				5 x 16 mm ²	2 St. 5 x 6 mm ²	

All cross sections of a line are minimum diameters in mm² (copper wire).

Item no.	Power output	Electrical connection	Fuse protection control unit	Fuse protection LSG unit	Dimensions H/W/D, in cm	For sauna cabin size	Min. size of air inlet and outlet	Weight without rocks	Stone filling	Power extension required
94 8097	15 kW	400 V 3N ~ 50 Hz	3 x 16 A	3 x 16 A	95 / 75 / 53	18 - 25 m ³	50 x 6 cm	48 kg	30 kg	LSG 10
94 8098	18 kW					24 - 30 m ³		49 kg		
94 8099	21 kW					24 - 34 m ³	50 kg	LSG 18		
94 7360	24 kW					35 - 40 m ³	61,5 kg			
94 7361	27 kW					40 - 50 m ³	62,5 kg			
94 7362	30 kW					50 - 65 m ³	63,5 kg	LSG 36		
94 7363	36 kW					65 - 75 m ³	65,5 kg			

Minimum clearances



Suitable control units

Model

EOS Econ D series (D2 - D4)

EOS Compact D series

EOS EmoTec D series

EOS EmoStyle D / Hi series

EOS EmoTouch 3 series

Power extension unit required, e.g. LSG36 is required for 30 - 36 kW heaters.

Spare heating elements

Description	Item no.
15 kW - 5 x 3000 W	2001 7176
18 kW - 6 x 3000 W	2001 7176
21 kW - 7 x 3000 W	2001 7176
24 kW - 8 x 3000 W	2001 7176
27 kW - 9 x 3000 W	2001 7176
30 kW - 10 x 3000 W	2001 7176
36 kW - 12 x 3000 W	2001 7176