



46.U

Sauna heater for domestic and commercial saunas. Behind-the-bench model.

Special design sauna heater for concealed, behind-the-bench installation. For the Finnish (dry) sauna. Extra slim construction with only 22 cm installation depth! Includes protective safety grill and water infusion kit (infusion along the full heater width). 6 m connection silicone cable included.

Your advantages:

- Very slim - only 22 cm installation depth.
- Place-saving design with high safety in use.
- High safety thanks to the hidden installation.
- Robust, durable construction, all made of stainless steel.
- Includes safety grill (prevents objects from falling down on the heater)
- Includes water infusion kit (funnel with connection hose).
- Includes 6 m silicone coated connection cable.
- VDE approved for safety and norm compliance.
- Made in Germany quality from EOS.

Specifications:

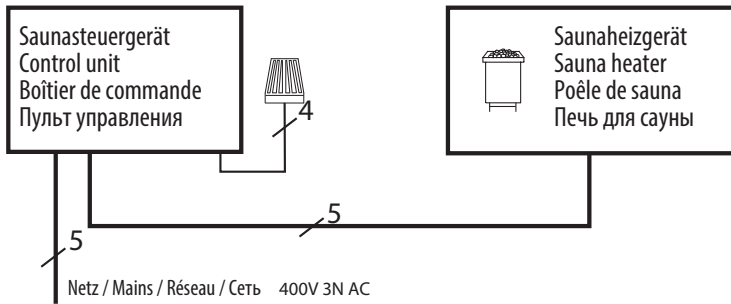
Outer shell:	Stainless steel, blank polished
Inner shell:	Stainless steel
Top:	Stainless steel
Terminal box:	Stainless steel, integrated in side wall
Power range:	6.0, 7.5, 9.0 and 12.0 kW
Power supply:	400 V 3N AC 50 Hz
Dimensions:	870 x 1120 x 200 mm
Stone filling:	approx. 10 kg, 15 kg included in delivery
Installation:	Floor-standing, behind-the-bench (hidden) installation



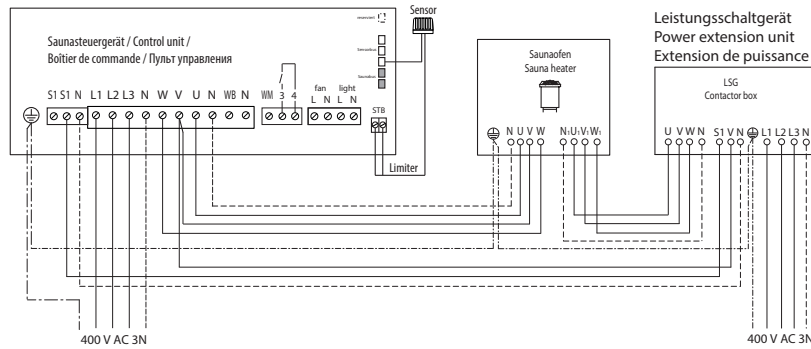
EAC CE IPx4 MADE IN GERMANY

Connection diagram

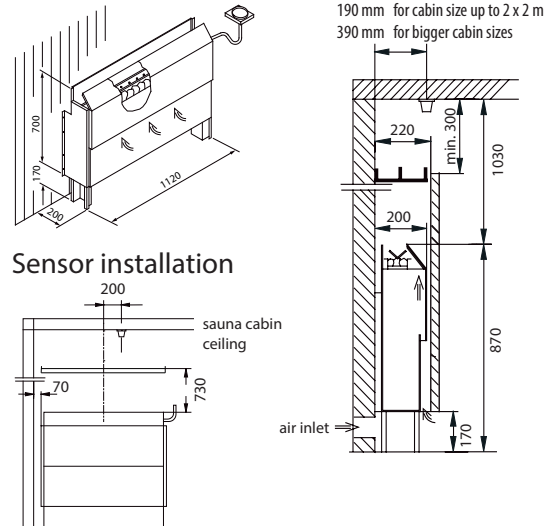
6 - 9 kW



12,0 kW



Minimum clearances



Suitable control units

Model	Item no.
Econ D1/D2	94.6136/6138
Econ D3/D4	94.56140/5842
Emotec D	94.5559
EmoStyle D/Di	94.6316/6393
EmoTouch II+	94.5561
EmoTouch 3	94.6505

Power extension unit (e.g. Emotec L09R) is required for 12 kW model.

Technical specifications

Power output	Electrical connection	Connection mains - control unit	Connection control unit - heater	Connection mains - LSG	Connection LSG - heater	Connection control unit - LSG unit
6,0 kW	3N AC 50 Hz 400 V	5 x 2,5 mm ²	5 x 1,5 mm ²	--	--	--
7,5 kW				--	--	--
9,0 kW				--	--	--
12,0 kW				5 x 2,5 mm ²	5 x 1,5 mm ²	4 x 1,5 mm ²

All cross sections of a line are minimum diameters in mm² (copper wire).

Spare heating elements and parts

Description	Item no.
For 6,0 kW (4 x 1500W 230V)	2000.8533
For 7,5 kW (5 x 1500 W 230V)	2000.8533
For 9,0 kW (6 x 1500 W 230V)	2000.8533
For 12,0 kW (8 x 1500 W 230V)	2000.8533
Wooden funnel	2000.8118

Item no.	Power output	Electrical connection	Fuse protection control unit	Fuse protection LSG unit	Dimensions H/W/D, in cm	For sauna cabin size	Min. size of air inlet and outlet	Weight without rocks	Stone filling	Power extension required
94.4887	6,0 kW	3N AC 50 Hz 400 V	3 x 16 A	--	87 / 112 / 20	6 - 8 m ³	35 x 3 cm	23,5 kg	10 kg	no
94.4888	7,5 kW					7 - 10 m ³	35 x 4 cm	24,0 kg		
94.4889	9,0 kW					9 - 14 m ³	35 x 5 cm	24,5 kg		
94.8608	12,0 kW					14 - 18 m ³	35 x 6 cm	25,5 kg		