



EOS Bi-O Mini W

Sauna heater with vaporizer for domestic sauna cabins. Wall-mounting model.

Compact sauna heater with integrated vaporizer – enjoy flexible sauna climate of your choice, from hot and dry to mild and steamy, herbal bath and much more. Ideal for small domestic saunas.

Your advantages:

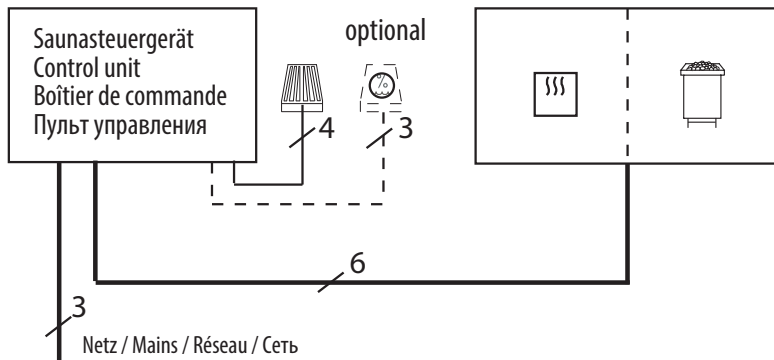
- Flexible sauna climate settings to user's preference
- Built-in vaporizer with essence holder cup
- Compact, space-saving construction
- 8 kg large rock store for water infusions
- Contemporary, timeless stainless steel or anthracite design
- Pre-mounted connection cable set 2.5 m
- Made in Germany quality from EOS

Specifications:

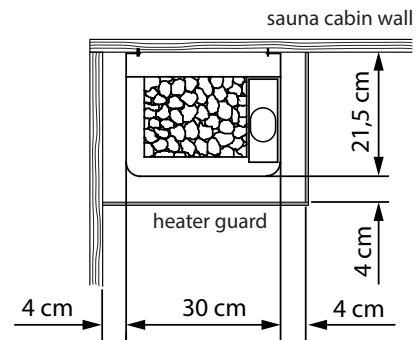
Outer shell:	Stainless steel, polished or anthracite pearl effect finish
Inner shell:	Corrosion-resistant aluminium-coated steel
Rear wall:	Zinc-plated steel
Stone support grill:	Stainless steel
Terminal box:	Zinc-plated steel, corrosion-resistant
Vaporizer:	750 W, 2 l stainless steel tank, manual filling, with acoustic water shortage alarm, incl. drain valve.
Power rating:	3,0 / 3,5 kW
Power supply:	230 V 1N ~ 50 Hz
Stone filling:	8 kg, incl. in delivery
Dimensions (HxWxD):	500 x 300 x 215 mm
Installation:	Wall-mounted heater



Connection diagram

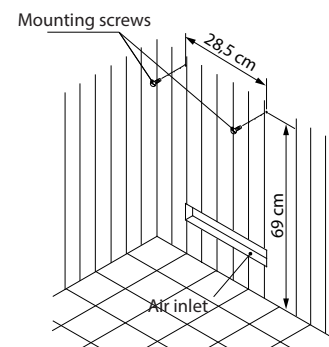
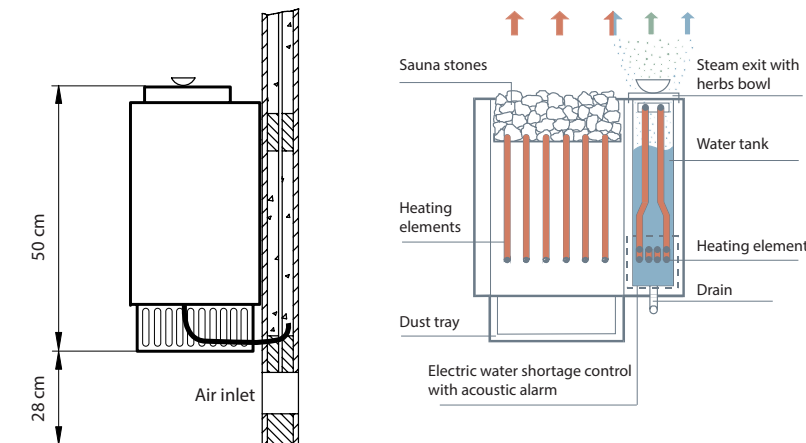


Minimum clearances



Heater guard must be installed by the cabin manufacturer.

Installation example and construction



ATTENTION:

Make sure to prove in advance the local level of water hardness. Regular visual inspection and descaling are required for the vaporizer section of the heater. Sauna essences should not be added directly into the water tank! Avoid operation of the vaporizer with low water level to prevent overheating. Always empty the tank after each use.

Spare heating elements

Description	Item no.
Heating element (1500 W)	2000 8085
Heating element (2000 W)	2000 8086
Vaporizer element 750 W	2001 2727

Suitable sauna control units

Model	Item no.
EOS Econ H1	94 6137
EOS Econ H2	94 6139
EOS Econ H3	94 6141
EOS Econ H4	94 5843
EOS Compact-, EmoTec-, EmoStyle H-series, EmoTouch 3 series	

Technical specifications

Power output	Electrical connection	Connection mains- control unit	Connection control unit - heater
3,0 kW	230V 1N ~	3 x 1.5 mm ²	6 x 1.5 mm ²
3,5 kW			

All cross sections of a line are minimum diameters in mm² (copper wire)

Item no.	Outer shell	Power output	Vaporizer	Electrical connection	Fuse protection (control unit)	Unit dimensions H/W/D, in cm	For sauna cabin size	Min. size air inlet and outlet	Weight without rocks	Stone filling	Power extension required
94 2444 A 94 6027	Stainless steel Anthracite	3,0 kW	750 W 2 l	230V 1N ~ 50 Hz	1 x 16 A	50 / 30 / 21.5	~ 3 - 4 m ³	20 x 4 cm	9.2 kg	~ 8 kg	no
94 6865	Stainless steel	3,5 kW				~ 3 - 4,5 m ³					

ATTENTION! Installation - 28 cm floor gap to be observed!