



# EOS Cubo Avantgarde black

## Sauna heater for domestic and commercial saunas. Floor-standing model.

Floor-standing sauna heater for dry sauna as an exclusive Avantgarde edition. Striking, distinctive design thanks to the stylish rock store extension frame with white quartz stones. The luxurious Matt Black finish on all sides perfectly completes the design – great for installation in the centre or in front of glass panels.

### Your advantages:

- Exclusive, distinctive design with stylish rock store extension.
- Luxurious “Matt Black” finish on all sides including the top.
- Set of special white quartz stones included in delivery.
- Uniform appearance on all sides – perfect for installation in front of glass panel or in the centre of the sauna.
- Compact size – only 38,5 cm depth.
- Made in Germany quality from EOS.

### Specifications:

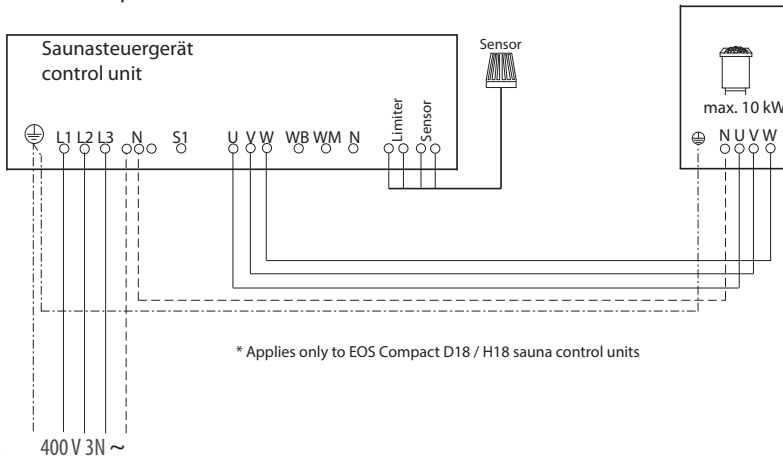
Outer shell:	Matt black powder coated steel, scratch resistant, on all sides including the top.
Top with extension:	Stainless steel, matt black finish
Rock store:	Stainless steel, above heating elements
Terminal box:	Recessed in rear wall panel, cable connection on the bottom side
Power range:	9.0, 10.0, 10.5 and 12.0 kW
Power supply:	400 V 3N ~ 50 Hz
Dimensions (HxWxD):	72 x 40 x 38,5 cm
Rock store:	Up to 35 kg 10 kg quartz stones, incl. in delivery classic stones (25 kg) optionally available.
Installation:	Floor-standing



With special rock store extension frame and 10 kg white quartz stones

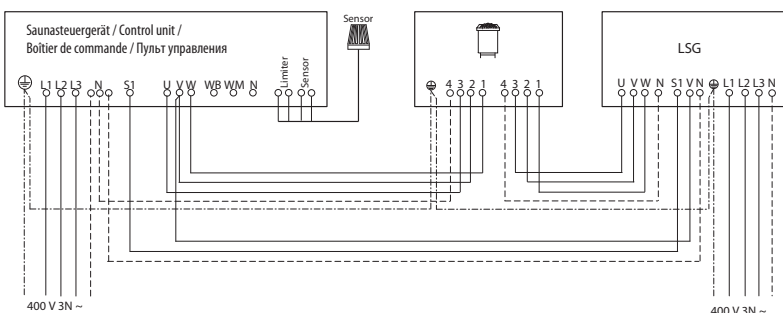
## Connection diagram

9 - 10 kW | 10.5 - 12 kW\*



\* Applies only to EOS Compact D18 / H18 sauna control units

10.5 - 12 kW\*\*



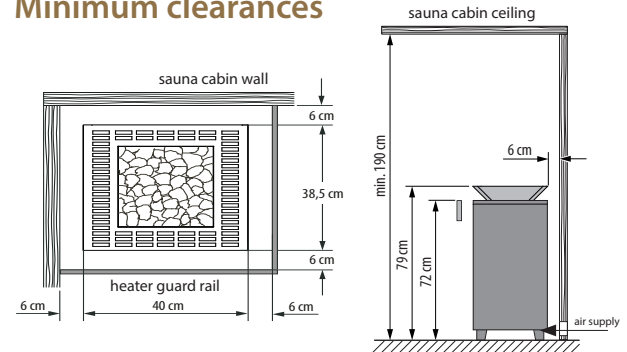
\*\* Applies only to EOS Compact D18 / H18 sauna control units

## Technical specifications

Power output	Electrical connection	Connection mains - control unit	Connection control unit - heater	Connection mains - LSG	Connection LSG - heater	Connection control unit - LSG unit
9,0 kW	400 V 3N ~ 50 Hz	5 x 2,5 mm <sup>2</sup>	5 x 1,5 mm <sup>2</sup>	--	--	--
10,0 kW						
10,5 - 12,0 kW						

All cross sections of a line are minimum diameters in mm<sup>2</sup> (copper wire).

## Minimum clearances



## Suitable control units

### Model

EOS Econ D series (D1 up to 9,0 kW)

EOS Compact D series

EOS EmoTec D series

EOS EmoStyle D / Hi series

EOS EmoTouch 3 series

## Spare heating elements

Description	Item no.
For 9,0 kW (6 x 1500 W)	2000 8085
For 10,0 kW (6 x 1666 W)	2001 7026
For 10,5 kW (3x1500W, 3x2000W)	2000 8085/8086
For 12,0 kW (6 x 2000 W)	2000 8086

Item no.	Power output	Electrical connection	Fuse protection control unit	Fuse protection LSG unit	Dimensions H/W/D, in cm	For sauna cabin size	Min. size air inlet and outlet	Weight without rocks	Stone filling	Power extension required
94 5074	9,0 kW	400 V 3N ~ 50 Hz	3 x 16 A	--	72 / 40 / 38,5	9 - 14 m <sup>3</sup>	35 x 6 cm	28 kg	25 kg + 10 kg	no
94 7885	10,0 kW					11 - 15 m <sup>3</sup>	35 x 6 cm			
94 6592	10,5 kW					35 x 6 cm				
94 5075	12,0 kW					14 - 18 m <sup>3</sup>	35 x 7 cm			