



EOSphere

The event heater with plunging steam-shock effect for commercial sauna cabins.

The innovative event heater will turn your sauna visit to a unique experience. Impressive design with a movable rock store and an underlying illuminated water tank makes the EOSphere a highlight in every sauna.

The heat output of the EOSphere alone is not sufficient for a sauna and usually requires an additional heating system.

Your advantages:

- Spectacular steam-shock effect with accompanying colour and light effects thanks to the innovative plunging function: The separate rock store heats the stones and then plunges down into the underlying water tank, accompanied by the specially coordinated light effects with colour changes from red to blue.
- High-quality construction, carefully crafted down to the last detail, with a high-contrast design of polished stainless steel and powder-coated components with anthracite pearl effect.
- Fully automatic function with adjustable time intervals and dwell time of the rock store in the water tank. Manual or automatic start.
- Luxury and exclusivity - no mass production, each system is individually handcrafted. Made in Germany quality from EOS.

Specifications:

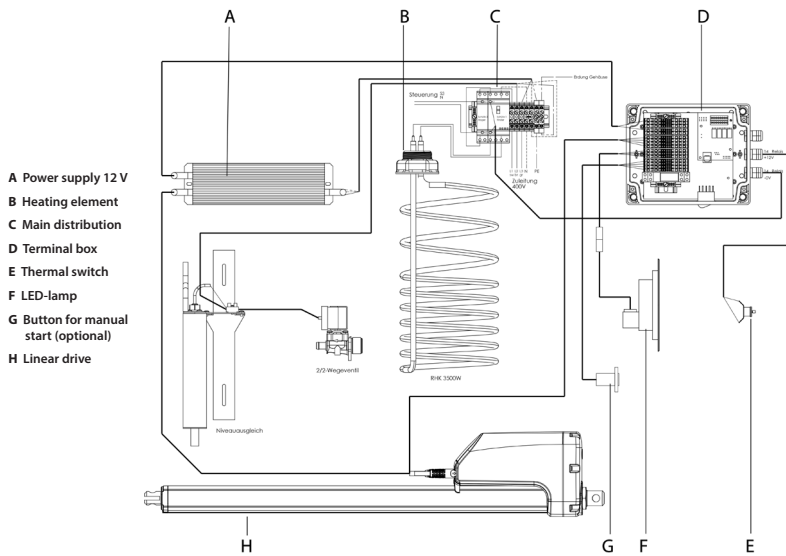
Outer shell:	Stainless steel
Rock store:	Stainless steel
Power input:	3,5 kW
Power supply:	400 V 3N AC 50 Hz
Stone filling:	approx. 45 kg (Stones optionally available)
Dimensions (HxWxD):	158 x 72 x 98 cm
Installation:	Floor-standing model



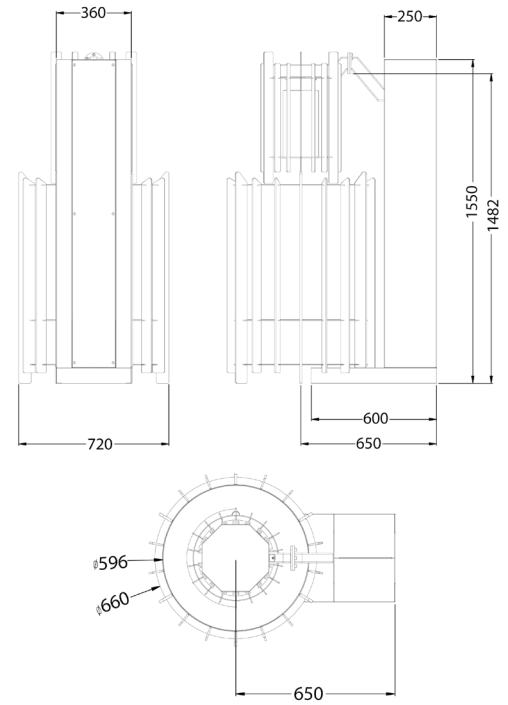
Example of varying colours in the water tank due to the temperature changes

CE EAC IPx4 MADE IN GERMANY 

Connection overview



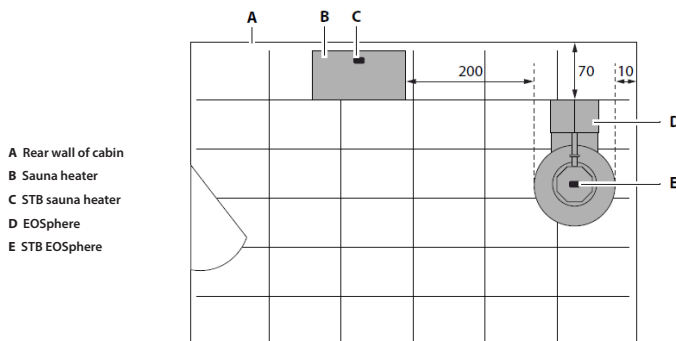
Minimum clearances



Installation example

EOSphere must be aligned vertically and horizontally.
 To level out a sloping floor, a platform may have to be built.

! Separate safety temperature limiter (STB) above rock store required.



! Approx. 10 cm distance to side of the wall
 Approx. 70 cm distance to rear wall
 Approx. 200 cm distance to heating sauna heater

Suitable sauna control units

Model	Item no.
EOS Econ D2	94.6138
EOS Econ D3	94.6140
EOS Econ D4	94.5842
EOS EmoTec D	94.5559
EOS EmoStyle D	94.6316
EOS EmoStyle Hi	94.6317
EOS EmoTouch 3	94.6505

Optional accessories

Button for manual operation	94.7380
-----------------------------	---------

Technical specifications

Item no.	Power input	Electrical connection	Fuse protection control unit	Fuse protection LSG unit	Dimensions H/W/D, in cm	For sauna cabin size	Min. ceiling height	Weight without rocks	Stone filling	Power extension required
94.7040	3,5 kW	400 V 3N AC 50 Hz	3 x 16 A	3 x 16 A	158 / 72 / 98	~60 m ³	2,1 m	185 kg	~45 kg	no