



Filius Control

Sauna heater for domestic sauna cabins. Wall-mounting model.

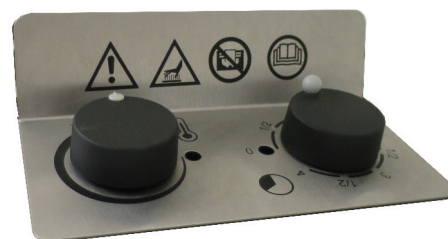
Compact sauna heater for the Finnisch (dry) sauna. With only 24 cm depth the Filius Control heater is a very place-saving model and still offers a fairly large 8 kg rock store. Straight-lined contemporary design is a perfect match for modern sauna cabins.

Your advantages:

- Compact, extra slim design - only 24 cm depth.
- 8 kg large rock store for temperature stability and good water infusions.
- Optional change of position of control unit from right to left
- No need for mounting any sensor cable (sensor is placed inside the heater)
- Easy replacement / change of heating elements
- Contemporary, straightlined design.
- Scratch resistant anthracite pearl effect powder-coating.
- Made in Germany quality from EOS.

Specifications:

Outer shell:	Steel with anthracite pearl effect powder-coating (scratch-resistant)
Inner shell:	Galvanized steel, corrosion resistant
Top:	Brushed stainless steel
Rear wall:	Zinc-plated steel
Stone support grill:	Stainless steel
Elektro-Anschlusskasten:	Hidden in the main housing, connections from the bottom
Leistungen:	4,5; 6,0 und 7,5 kW
Anschluss:	400 V 3N AC 50 Hz
Stone filling:	8 kg, incl. in delivery
Installation:	Wall-mounted heater, direct mounting to the sauna wall
Temperature sensor	40-100°C
Temperature limiter	142°C, Heating time limit 4h



Position of control panel on the top of the heater:

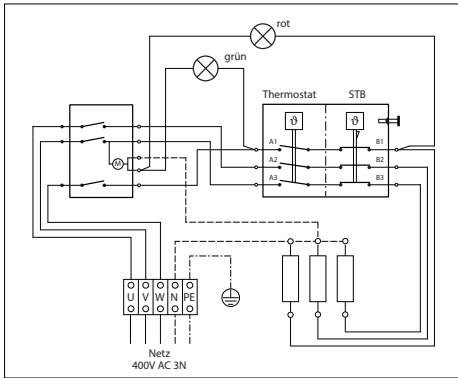
- good visible
- easy and minimum risk to adjust



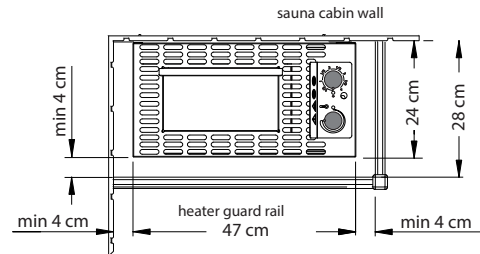
MADE IN GERMANY



Connection diagram

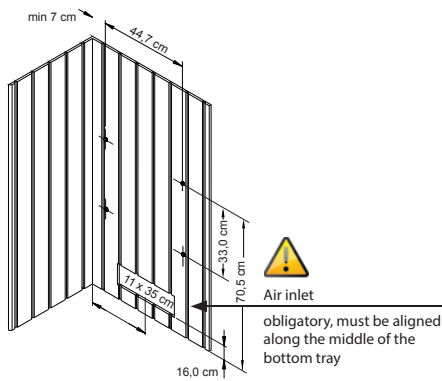


Minimum clearances

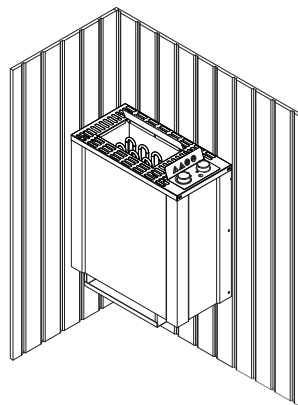


Installation example

Wall-mounting installation



Sensor installation



Spare heating elements

Description	Item no.
For 4,5 kW (1500W elements)	2000.8085
For 6,0 kW (2000 W elements)	2000.8086
For 7,5 kW (2500 W elements)	2000.8084

Item no.	Colour	Power output	Electrical connection	Fuse protection (control unit)	Dimensions H/W/D, in cm	For sauna cabin size	Min. size of air inlet and outlet	Weight without rocks	Stone filling	connection mains sauna heater	Temperature-adjustment range
94.6038	anthracite pearl effect	4,5 kW	3N AC 50 Hz 400 V	3 x 16 A	57 / 47 / 24	4 - 6 m ³	35 x 11 cm	15,0 kg	8,0 kg	5 x 2,5 mm ²	40-100°C
94.6039		6,0 kW				6 - 8 m ³					
94.6040		7,5 kW				7 - 10 m ³					

All cross sections of a connection cables are minimum diameters in mm² (copper wire), make sure to observe 16 cm ground clearance.