



Gracil

Sauna heater for private sauna cabins. Floor-standing model.

Floor-standing sauna heater for Finnish sauna. Very space-saving construction with only 25 cm depth. Gracil stands out through its sleek, straight-lined design and is a great match for modern upper-class saunas. For residential use.

Advantages and benefits:

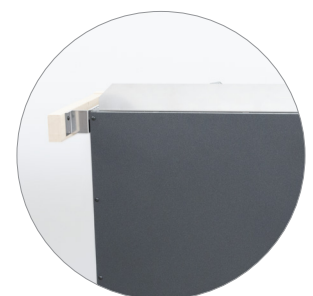
- Very space-saving – only 25 cm depth
- Flat rear side with recessed terminal box.
- Optional rear side cover panel in anthracite finish - great for installation in front of glass walls.
- Optional wooden guard rail.
- Full size 20 kg rock store despite very shallow construction.
- Scratch resistant anthracite pearl effect powder coating.
- Made in Germany quality from EOS

Specifications:

Outer shell:	zinc-plated steel, with anthracite finish
Inner shell:	hot dip aluminium plated steel
Cover:	brushed stainless steel
Stone basket and feet:	stainless steel
Terminal box:	recessed inside main housing
Power output:	6,0 kW, 7,5 kW and 9,0 kW
Connection:	400 V 3N AC 50 Hz
Dimensions: (H x W x D) :	760 x 505 x 250 mm
Rocks:	20 kg, included in delivery
Installation:	floor-standing model



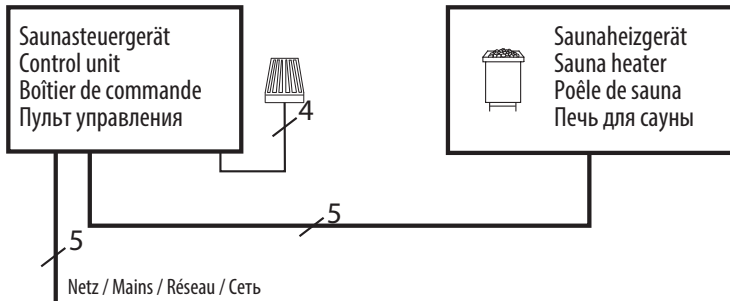
Heater guard rail optionally available.



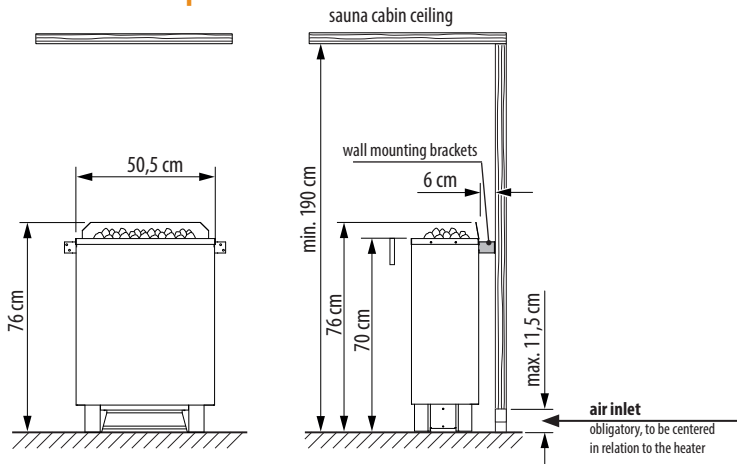
Rear side cover panel in anthracite finish optionally available

CE IPx4 MADE IN GERMANY 

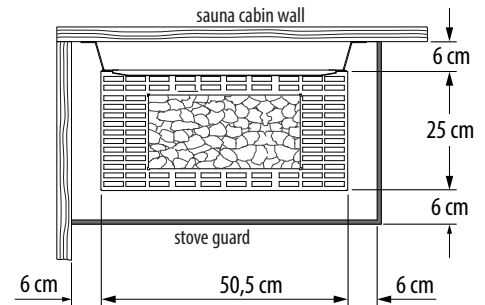
Connection overview



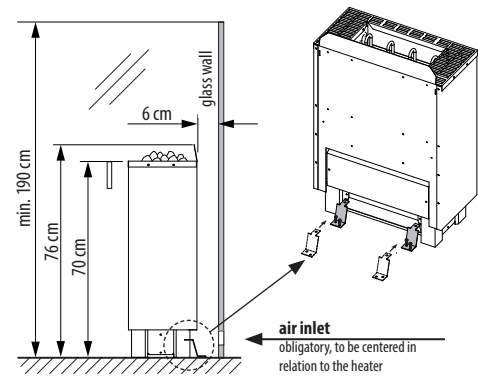
Installation example



Minimum clearances



Guard rail to be provided by the cabin manufacturer if not ordered with the heater. Heater should be secured to the wall.



By free-standing installation the heater must be secured to the floor.

Suitable sauna control units

Model	Item no.
Econ D1	94.6136
Econ D2	94.6138
Econ D3	94.6140
Econ D4	94.5842
Emotec D / EmoStyle D (Di)	94.5559 / 6316 (6393)
EmoTouch 3	94.6505 / 94.6506

Spare parts

Description	Item no.
Heating element for 6,0 kW (1500 W)	20001852
Heating element for 7,5 kW (1500 W)	20001852
Heating element for 9 kW (1500 W)	20001852

Item no.	Colour	Power output	Electrical connection	Fuse protection (control unit)	Dimensions H/W/D, in cm	For sauna cabin size	Min. size air inlet and outlet	Weight without rocks	Connection mains - control unit	Connection control unit - heater	Power extension required
94.6755	Anthracite pearl effect	6,0 kW	3N AC 50 Hz 400V	3 x 16 A	76 / 50,5 / 25	6 - 8 m ³	35 x 4 cm	20,5 kg	5 x 2,5 mm ²	5 x 1,5 mm ²	no
94.6756		7,5 kW				7 - 10 m ³	35 x 5 cm	21,0 kg			
94.6757		9,0 kW				9 - 14 m ³	35 x 6 cm	21,5 kg			

All cross sections of a line are minimum diameters in mm² (copper wire), make sure to observe 18 cm ground clearance.