



EOS Invisio XL

Sauna heater for concealed installation under the sauna benches.

Sauna heater for dry Finnish sauna. Special construction for concealed installation under the sauna benches. Includes safety grill and water infusion set. Suitable for intensive commercial use.

Your advantages:

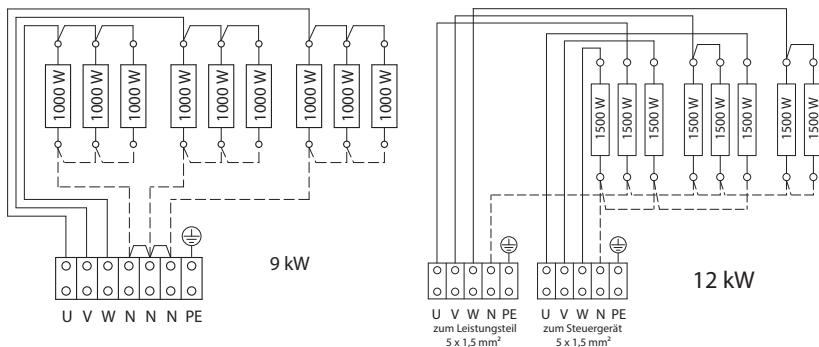
- Space-saving design - only 10 cm required for the screen wall
- Extra large rock store with up to 75 kg capacity
- High user safety thanks to the concealed installation
- Classic water splashes on the rocks possible - water infusion set with stainless steel funnel is included
- Includes safety grill - reliable protection against objects falling down on the heater
- Optimized heating performance thanks to the special position of heating elements - for faster heat-up times
- Robust construction. Adjustable height (+/- 15 cm)
- Service-friendly construction
- Made in Germany quality from EOS

Specifications:

Outer shell:	Aluminium-plated steel, stainless steel top cover and feet
Inner shell:	Aluminium-plated steel
Water splash gutter:	Stainless steel
Terminal box:	Integrated in the side panel
Power range:	9,0 and 12,0 kW
Electrical connection:	400 V 3N ~ 50 Hz
Rock store volume:	approx. 75 kg (Sauna stones optionally available)
Dimensions (HxWxD):	790 (640) x 1160 x 580 mm (adjustable height)
Installation:	Under the benches



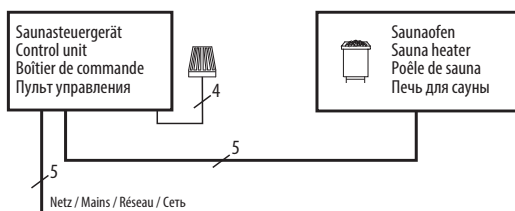
Wiring scheme



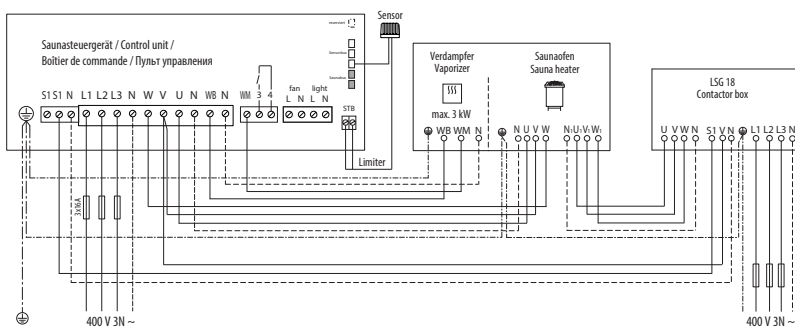
⚠ Attention! Make sure to always connect the N wire.

Connection diagram

9 kW



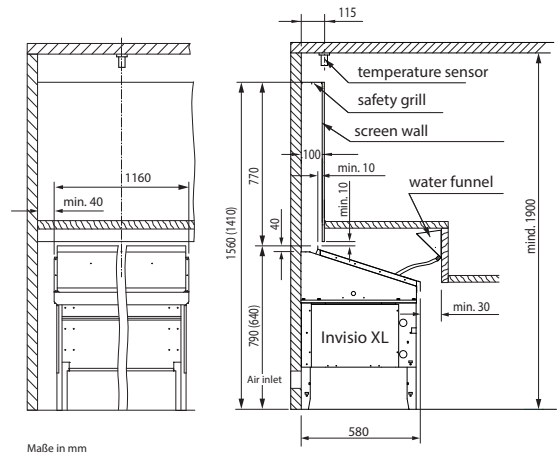
12 kW



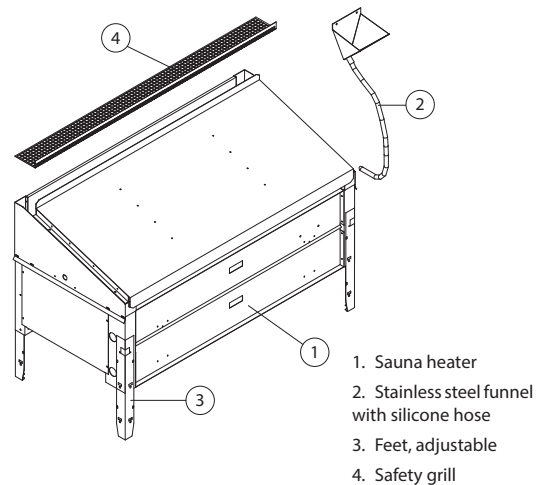
Power	Electrical connection	Connection mains - control unit	Connection control unit - heater	Fuse protection control unit
9,0 kW	400 V 3N ~ 50 / 60 Hz	5 x 2,5 mm ²	5 x 1,5 mm ²	3 x 16 A
12,0 kW				

All cross sections of connection cables are min. diameters in mm² (copper wire)

Safety gaps



Delivery scope



Spare heating elements and parts

Description	Item no.
9,0 kW (9x 1000 W 230 V)	2000 8096
12,0 kW (8x 1500 W 230 V)	2000 8533
Stainless steel funnel	70011

Item no.	Power	Electrical connection	Power extension needed	Dimensions, HxWxD in cm	For sauna cabin size	Min. size of air intake and outlet	Weight without stones and packing	Stone filling	Suitable sauna control units
94 5522 / 5816*	9,0 kW	400 V 3N ~ 50/60 Hz	no	79(64) x 116 x 58 cm	9 - 14 m ³	35 x 6 cm	25,5 kg	approx. 75 kg	EOS Econ- (D1 up to 9 kW), Compact-, EmoTec-, EmoStyle- und EmoTouch-series
94 6390 / 6391*	12,0 kW		LSG 10		14 - 18 m ³	35 x 7 cm	27,5 kg		

* anthracite

Druck-Nr.: 29344491 20.23

Technical changes reserved