



EOS

Technical data sheet

EOS Majesty

Sauna heater for private and commercial saunas. Floor-standing model.

Exclusive, luxury class sauna heater for dry Finnish saunas.

The stylish combination of the minimalistic matt black housing and polished stainless steel elements makes EOS Majesty stand out in any situation.

Thanks to the uniform appearance on all sides EOS Majesty perfectly suits the installation in front of glass panels.

Advantages and benefits:

- Exclusive, distinctive design and finest craftsmanship.
- Same appearance on all sides - great for installation in front of glass panels.
- Durable, long-lasting construction, all made of stainless steel.
- Slim, place-saving construction - only 37 cm depth.
- Easy to service, rock store above heating elements.
- Luxurious pure-white sauna stones included in delivery. Pre-mounted 8 m connection cable.
- Made in Germany quality from EOS.

Specifications:

Outer shell:	Stainless steel, matt black finish. Polished stainless steel top and bottom elements.
Inner shell:	Stainless steel
Power range:	6.0 8.0 10.0 kW
Power supply:	400 V 3 N ~ 50 Hz
Dimensions:	84 x 42 x 37 cm
Stone filling:	10 kg special white stones and 15 kg classic sauna stones (included)
Size (H x W x D):	80 x 42 x 37 cm
Installation:	Floor-standing



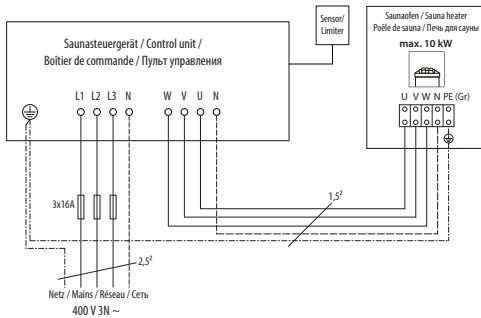
White sauna stones included in delivery

CE UK CA IPx4

Made in Germany

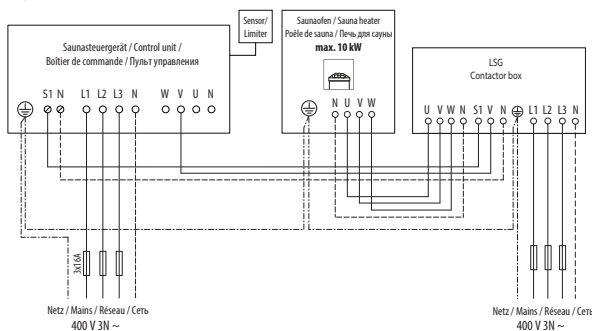
Connection diagram

6,0 + 8,0 + 10,0* kW



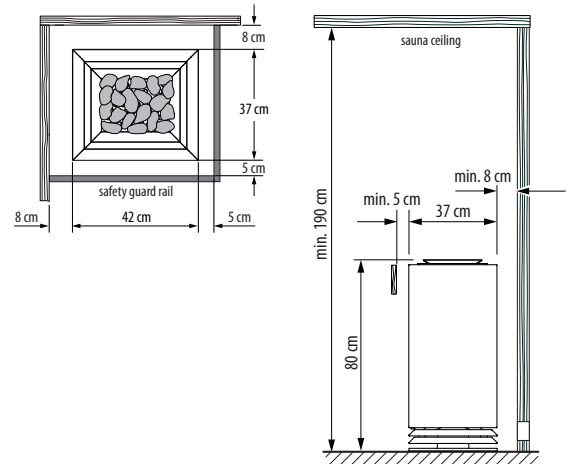
* 10 kW
The connection as shown only for EOS Compact sauna control units.

10,0 kW**

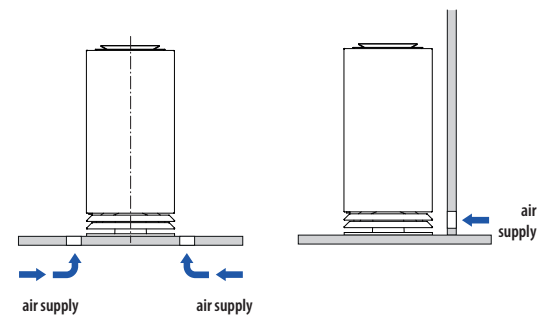


** 10 kW
For control units of the Econ, EmoTec, EmoStyle und EmoTouch series and additional relay box LSG10 relay box is required.

Minimum clearances



Installation – air supply



By central installation or in front of a glass panel with no air supply opening the air supply must be provided through the floor channel.
Risk of damages due to overheating by insufficient ventilation.

Technical specifications

Power	Electrical connection	Connection mains - control unit	Connection control unit - heater	Connection mains - LSG unit	Connection LSG unit - heater	Connection control unit - LSG unit
6.0 kW	400 V 3N ~ 50 Hz	5 x 2,5 mm ²	5 x 1,5 mm ²	--	--	--
8.0 kW						
10.0 kW						
10.0 kW**						

** 10 kW for Econ, EmoTec, EmoStyle, EmoTouch 3 series - LSG10 relay box required.
All cross sections of connection cables are minimum diameters in mm² (copper wire)

Spare heating elements

Heating elements	Item no.
For 6.0 kW (6 x 1000 W)	2001 6809
For 8.0 kW (6 x 1333 W)	2001 5056
For 10.0 kW (6 x 1666 W)	2001 5058

Item no.	Power	Fuse protection control unit	Dimensions H/W/D	For sauna cabin size	Min. size air inlet and outlet	Weight without rocks	Stone filling	Power extension required	Suitable sauna control units
947487	6.0 kW	3 x 16 A	84 / 42 / 37 cm	6 - 8 m ³	35 x 4 cm	36 kg	~15 kg classic stones ~10 kg white stones	no	Econ series Compact series EmoTec series EmoStyle series EmoTouch series
947488	8.0 kW			8 - 12 m ³	35 x 5 cm				
947489	10.0 kW			11 - 15 m ³	35 x 6 cm				
	10.0 kW**								

** 10 kW - by sauna control units Econ, EmoTec, EmoStyle, EmoTouch only in conjunction with an LSG10 relay box