



Technical data sheet

Mega

The ultimate power sauna heater for very large commercial saunas.

The Mega is perfect for special needs of XXL event saunas. With the power range from 42 kW up to impressive 72 kW and a rock store volume of up to 120 kg, this model is great for extensive water splash ceremonies. Mega is a floor-standing sauna heater for the Finnisch (dry) sauna.

Your advantages:

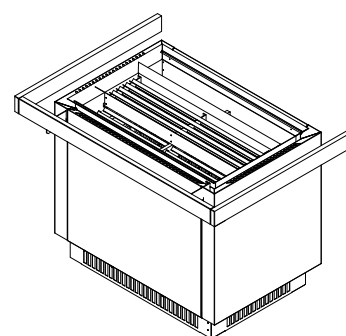
- Worldwide unique power range from 42 to 72 kW.
- Expertly engineered, reinforced construction made of top-quality stainless steel, optimised for intensive commercial use.
- Optimal relation between stone volume and air convection ability for fast heat-up times and powerful water splashes.
- Rock store separated from heating elements for stable air flow. With unique EOS-designed V-shape profiles to ensure effective and complete evaporation by intensive water splashes.
- Contemporary, timeless design with uniform appearance on all sides. No typical "rear side". Connections at the bottom.
- Great for position in front of glass or in the centre of the sauna.
- Made in Germany quality from EOS.

Specifications:

Outer shell:	Stainless steel, anthracite finish
Rock store:	Stainless steel
Terminal box:	Stainless steel, recessed design
Power range:	42, 48, 54, 60 and 72 kW
Power supply:	400 V 3N AC 50 Hz
Dimensions (HxWxD):	100 x 120 x 80 cm
Rock store volume:	approx. 120 kg
Installation:	Floor-standing



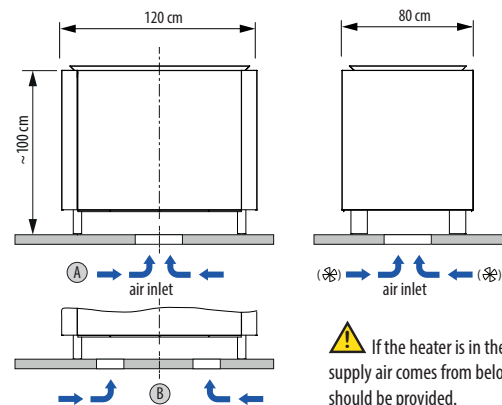
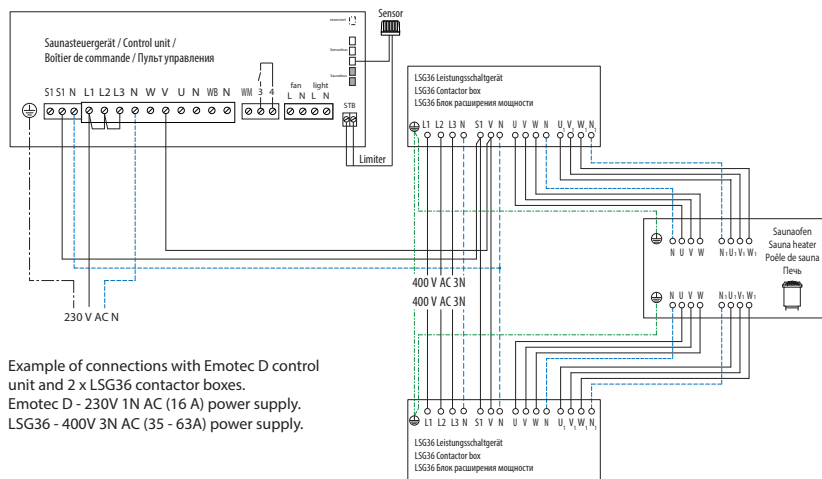
Image without plinth panel



heater guard rail optional

CE EAC IPx4 MADE IN GERMANY 

Connection overview

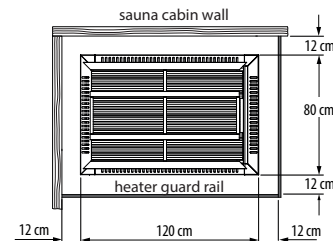
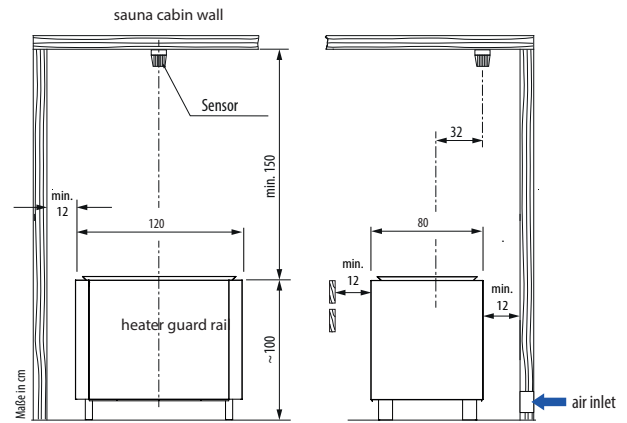


Technical specifications

Power output	Electrical connection	Fuse protection control unit	Fuse protection LSG unit	Connection mains - control unit	Connection LSG - heater	Connection control unit - LSG unit
42 kW	400 V 3N AC 50 Hz	1 x 16 A	1x (3 x 35 A) 1x (3 x 63 A)	3 x 1,5 ²	2x (5 x 4 mm ²) & 2x (5 x 6 mm ²)	4 x 1,0 mm ²
48 kW						
54 kW			2x (3 x 35 A) 2x (3 x 63 A)		4x (5 x 6 mm ²)	
60 kW						
72 kW						

All cross sections of a line are minimum diameters in mm² (copper wire).

Minimum clearances



Optional accessories

Guard rail brackets	94.7183
Brackets and wooden frame (Abachi)	94.7184
Brackets and wooden frame (Walnut)	94.7185

Suitable control units

Model	Item no.
Econ D2	94.6138
Econ D3	94.6160
Econ D4	94.5842
Emotec D	94.5559
EmoStyle D / Di	94.6316 / 94.6393
EmoTouch 3	94.6505

Item no.	Power output	Electrical connection	Gerätemaße H/B/T, in cm	For sauna cabin size	Min. size air inlet and outlet	Weight without rocks	Stone filling	Power extension required
94.6909	42,0 kW	3N AC 50 Hz 400 V	100 x 120 x 80	55-70 m ³	50 x 12 cm	112 kg	approx. 120 kg	1x LSG 18 + 1x LSG 36
94.6908	48,0 kW			70-80 m ³	60 x 12 cm	114 kg		
94.6907	54,0 kW			80-100 m ³	70 x 12 cm	116 kg		
94.6906	60,0 kW			100-130 m ³	70 x 12 cm	118 kg		
94.6905	72,0 kW			130-160 m ³	80 x 12 cm	120 kg		